



## Model 45960-Series

### HALOGEN FLOODLIGHT FEATURES

- Sealed Beam Halogen Bulb
- Heavy Duty Corrosion Resistant Materials
- Smooth Flush Mount Design
- Low Amp Draw
- Easy Aiming Adjustment
- Glare Free Below Deck Mounting
- 2 Unique Beam Patterns

### SPECIFICATIONS

<b>Voltage:</b>	12 Vdc
<b>Amperage:</b>	3.8
<b>Watts:</b>	50
<b>Bulb:</b>	18753-0351 Flood Beam 18753-0352 Trapezoidal Beam

### Shipping

**Weight:** 2.5 lb (1.1 kg)

### MODELS

- 45960-0000 – Trapezoidal Beam Pattern
- 45960-0001 – Flood Beam Pattern

### INSTALLATION

Determine the location on the transom/bulkhead where the light is to be mounted.

1. Tape the template to the transom/bulkhead at the desired location.
2. Check inside the transom/bulkhead for obstruction or anything that might be damaged by cutting a hole.  
NOTE: Minimum cut out depth clearance is 4 inches to allow for full lamp adjustment.
3. Cut hole per template.  
NOTE: Do not use light as a drill jig, as drill may damage light.
4. Apply sealing compound to the light flange and mount light. Tighten the six (6) mounting bolts in a random pattern to pull flange evenly to mounting surface. Compound should squeeze out all around the flange. Do not over-tighten screws. Wipe off all excess compound.
5. Connect wires to 12 Vdc with 16 ga wire for up to 15 foot distance. Larger wire required for longer runs.  
NOTE: Do not cut factory supplied wires shorter. The length is required to facilitate replacing the bulb.



Model 45960-Series

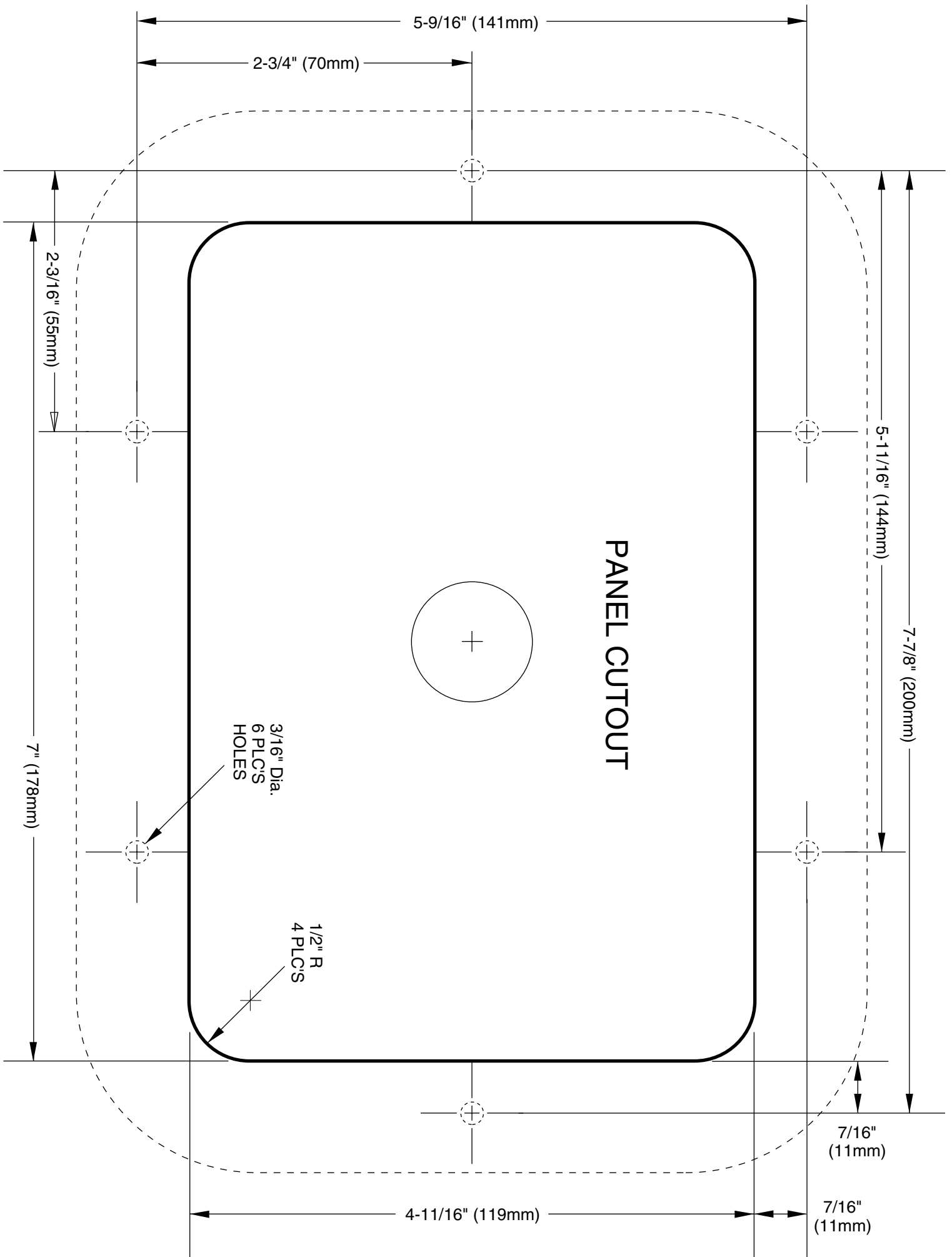
### BEAM AIMING ADJUSTMENT

The Jabsco flush mount floodlight lamp is adjustable up to 7° horizontally and 12° vertically to custom fit to any transom/bulkhead.

To adjust beam up, turn the two (2) top screws in the rubber housing clockwise about the same number of turns each to get the tilt required. Limit adjustment to 25 turns in, on any one (1) screw. The settings may be changed within that range at any time. Turn screws counterclockwise to the original position to re-center the lamp.

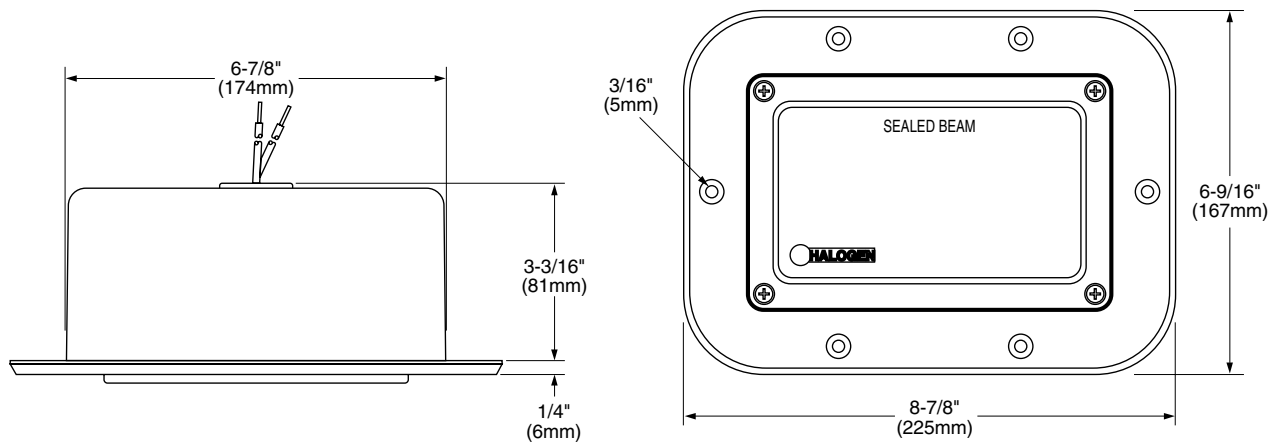
To adjust beam down, follow the same procedure using the two (2) bottom screws.

To adjust beam to the left or right follow the same procedure using the left or right side screws.

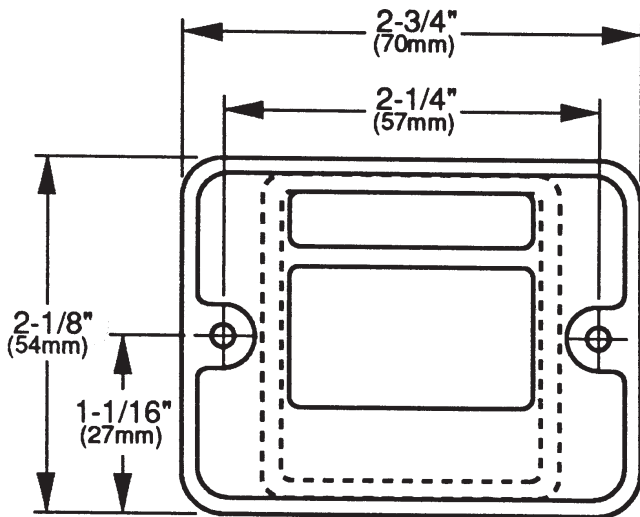


## DIMENSIONAL DRAWING

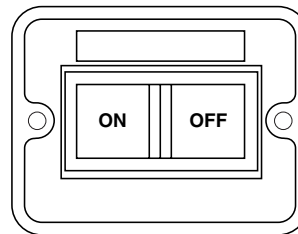
Inches (Millimeters)



## USE JABSCO MARINE SWITCHES TO TURN YOUR FLOODLIGHT ON AND OFF

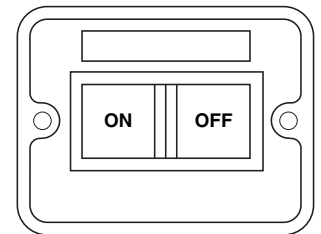


Switches 44960-0002 and 44960-0003 are black textured universal ON-OFF Rocker Switches.



### 44960-0002

The 44960-0002 is a lighted switch with a silicon boot seal.



### 44960-0003

The 44960-0003 switch is unlighted.

Jabsco



U.S.A.  
Jabsco  
20 Icon  
Foothill Ranch, CA 92610-3000  
Tel: (949) 609-5106  
Fax: (949) 859-1254

UNITED KINGDOM  
Jabsco  
Bingley Road, Hoddesdon  
Hertfordshire EN11 0BU  
Tel: +44 (0) 1992 450145  
Fax: +44 (0) 1992 467132

CANADA  
Fluid Products Canada  
55 Royal Road  
Guelph, Ontario N1H 1T1  
Tel: (519) 821.1900  
Fax: (519) 821.2569

JAPAN  
NHK Jabsco Company Ltd.  
3-21-10, Shin-Yokohama  
Kohoku-Ku, Yokohama, 222  
Tel: 045.475.8906  
Fax: 045.475.8908

GERMANY  
Jabsco GmbH  
Oststrasse 28  
22840 Norderstedt  
Tel: +49-40-53 43 73 -0  
Fax: +49-40-53 53 73 -11

THE PRODUCTS DESCRIBED HEREIN ARE SUBJECT TO THE JABSCO ONE YEAR LIMITED WARRANTY, WHICH IS AVAILABLE FOR YOUR INSPECTION UPON REQUEST.