

a xylem brand

FLEXMOUNT 3" BLOWERS

FEATURES

- Tough Reinforced Plastic Housing
- Universal Flexmount Bracket Permits Outlet to Face Any Direction
- Slip-On Inlet and Outlet Ducting Connection
- Efficient High Volume Air Flow
- Low Current Draw
- Corrosion-Resistant Materials Throughout
- N.M.M.A. Type Accepted
- Meets USCG Regulation 183.410 and ISO 8846 MARINE for Ignition Protection
- Complies with ISO 9097 MARINE

INSTALLATION


INSTALLATIONS MUST MEET APPLICABLE SECTIONS OF TITLE 33, PART 183; SUBPART K, USCG VENTILATION REGULATIONS.

MOUNTING: Mount blower on flat bulkhead surface in highest part of compartment free from spray or deck wash. Blower may be rotated in mounting bracket to facilitate the shortest route of ducting. Use a suitable discharge fitting so that static pressure of blower will not be affected by change in wind direction. Route inlet ducting with as few bends as possible to lower 1/3 of the bilge compartment where vapors are likely to accumulate. Be sure ducting is positioned below top of engine stringers but not so low as to become submerged in bilge water. Locate pickup to take advantage of natural air flow direction. Flexible ducting No. 34959-0100 is easy to cut and install. If installed as galley ventilator, blower should be mounted away from extreme heat. For exposed blower install ventilator intake screen No. 34764-0000 provides a safe and attractive protected inlet.

Jabsco blowers are primarily intended for intermittent duty cycles such as evacuating fuel vapors from bilge areas. If desired, they also may be used for other general air circulation applications with longer duty cycles. However, when doing so, it should be noted that the maximum motor life is approximately 1000 hours. Therefore, the blower should only be used for applications if this length of service is acceptable. For continuous duty applications, ask your dealer about Jabsco Heavy Duty Long Life Blowers.

NOTICE: Blower should be mounted away from extreme heat (more than 130°F) to prevent distortion of blower wheel or housing.

OPERATION: See following warning placard statement.

	<p>WARNING Explosion hazard. Gasoline vapors can explode. Before starting engine, operate blower for 4 minutes and check engine compartment bilge for gasoline vapors. Run blower below cruising speed. Failure to do so can result in injury or death.</p>
---	--



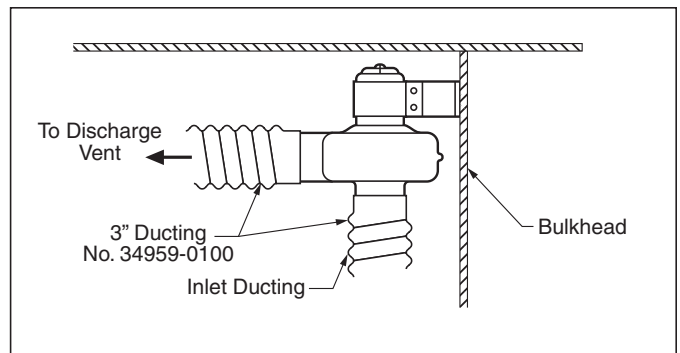
Model 35515-0010

SPECIFICATIONS

OPEN AIRFLOW:..... 105 CFM (2,9 m³/min)
 VOLTS:..... 12 Vdc
 AMPS: 4.3 Amps
 FUSE SIZE:..... 6 Amps
 WEIGHT: 3.5 lb (1,6 kg)

WIRING: Use stranded copper wire. For lengths up to 25 feet (7,6 m) from power source: Use 12 gauge wire for 12 Volt. Use larger wire for longer lengths. Use a 10 amp rated on-off switch in positive side of circuit (Model 44960-0002 or 44960-0003). Circuit must be protected with a fuse.

INSTALLATION DRAWING



The "WARNING" placard supplied with blower must be mounted adjacent to engine ignition switches (all locations) to comply with Title 33, Part 183; Subpart K, USCG Ventilation Regulations.*

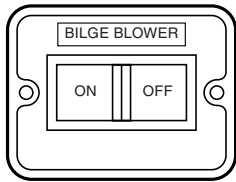
*Additional warning placards are available from factory by requesting form 43003-0418.

PARTS LIST

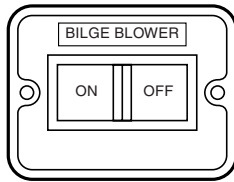
Key	Part Description	Part Number	Qty.
1	Bracket Assembly (includes screw & nut)	43907-000	1
2	Motor Kit: 12Vdc	35145-0010*	1
3	Blower Housing	35641-0000	1
4	Blower Wheel	34742-0000	1
5	Blower Housing	35642-0000	1
6	Screw - 8 x 5/8 SS Self Tapping Pan Head	35508-0000	5

*Motor nuts not included. Order (2) 34681-0000 units.

MARINE SWITCH PANELS

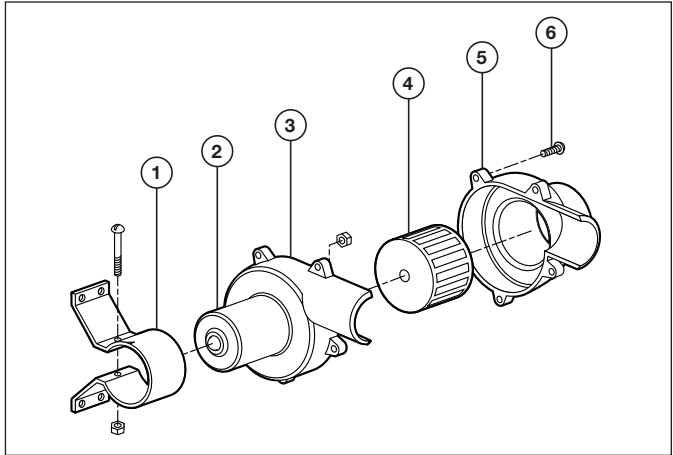


44960-0002
Lighted Switch with
Boot SPST

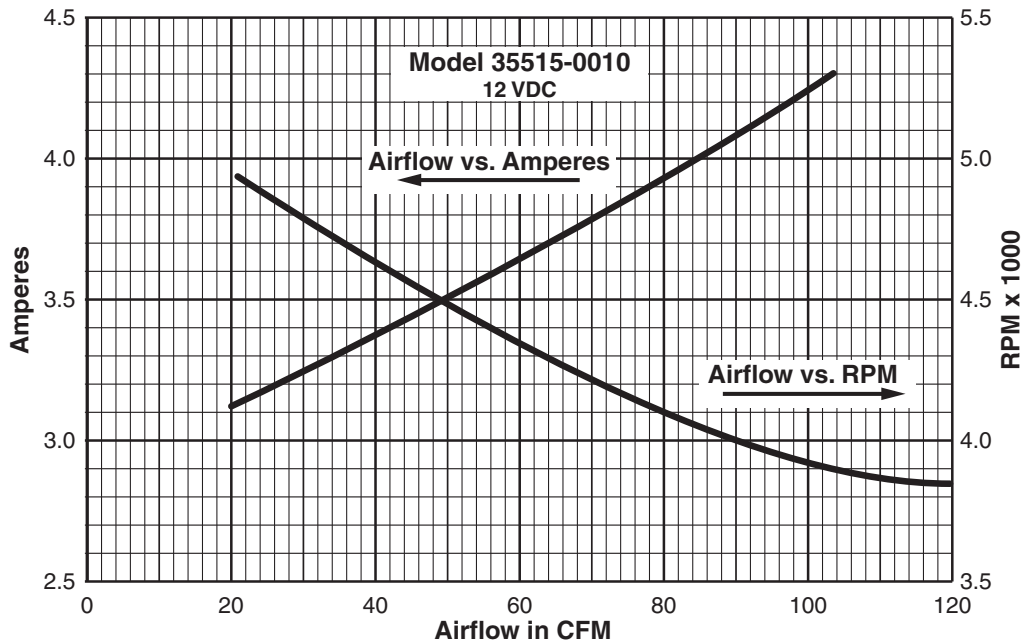
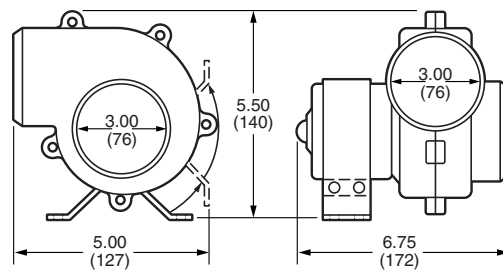


44960-0003
Unlighted SPST

PARTS VIEW



DIMENSIONAL DRAWING Inches (millimeters)



www.xylemflowcontrol.com



a xylem brand