



Model 34739-Series

FLANGEMOUNT 3" BLOWER

FEATURES

- Tough Reinforced Plastic Housing
- Mount to Any Flat Surface
- Slip-On Inlet Ducting Connection
- Efficient High Volume Air Flow
- Low-Current Draw
- Corrosion-Resistant Materials Throughout
- N.M.M.A. Type Accepted
- Meets USCG Electrical Regulations of Title 33, Chapter I, Part 183; Subpart I and ISO 8846 MARINE for Ignition Protection.
- DC Models Comply with ISO 9097 Marine
- **CE** DC Models Conform with EN 50081-1 for Suppression of Electromagnetic Interference

SPECIFICATIONS

| Model | Air Flow | Voltage | Amps | Fuse Size | Weight lb(kg) |
|------------|---------------------------------------|---------|------|---------------|---------------|
| 34739-0010 | 150 CFM (4.0 m ³ /min.) | 12 Vdc | 6.5 | 10A | 5 (2.3) |
| 34739-0020 | 150 CFM (4.2 m ³ /min.) | 24 Vdc | 3.3 | 5A | 5 (2.3) |
| 34739-0031 | 150 CFM (4.0m ³ /min.) | 115 Vdc | 0.8 | 1.25A 125V | 5 (2.3) |

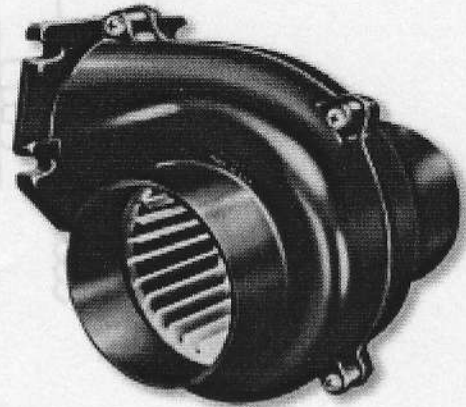
WIRING FOR DC MODELS: Use stranded copper wire. For lengths up to 25 feet (7.6m) from power source: Use 12 gauge wire for 12 Volt and 14 gauge wire for 24 Volt. Use larger wire for longer lengths. Use a 10 amp rated on-off switch in positive side of circuit (Model 44960-0003). Circuit must be protected with a fuse. Suggested fuse sizes are listed in the specifications table.

WIRING FOR AC MODEL: Use 16 gauge stranded copper wire for lengths up to 100 feet from power source. Connect the grounded, unswitched conductor (white) to the white motor lead. Connect the undergrounded, switched conductor (black) to the black motor lead. This conductor should include, at the power source, a 1.25 amp 125 Volt fuse. The green motor lead must be connected to the AC circuit ground.

INSTALLATION

INSTALLATIONS MUST MEET APPLICABLE SECTIONS OF TITLE 33, PART 183; SUBPART K, USCG VENTILATION REGULATIONS.

MOUNTING: Mount blower on flat bulkhead surface in highest part of compartment free from spray or deck wash. Cut 2-3/4" hole in bulkhead and secure blower with washers and No. 10 screws.



Model 34739-Series

(NOTICE: Tighten screws evenly to avoid flange damage). Use outlet collar No. 34856-0000 to connect ducting to discharge vent. Use a suitable discharge fitting so that static pressure of blower will not be affected by change in wind direction. Route inlet ducting with as few bends as possible to lower 1/3 of bilge compartment where vapors are likely to accumulate. Be sure ducting is positioned below top of engine stringers but not so low as to become submerged in bilge water. Locate pickup to take advantage of natural air flow direction. Flexible ducting No. 34959-0100 is easy to cut and install.

NOTICE: Blower should be mounted away from extreme heat (more than 130°F) to prevent distortion of blower wheel or housing.

For an exposed inlet, ventilator intake screen No. 34764-0000 provides a safe and attractive protected inlet. **NOTE:** This blower may also be mounted with inlet through bulkhead, using intake collar No. 34943-0000.

Jabsco blowers are primarily intended for intermittent duty cycles such as evacuating fuel vapors from bilge areas. If desired, they also may be used for other general air circulation applications with longer duty cycles. However, when doing so, it should be noted that the maximum motor life is approximately 1000 hours. Therefore, the blower should only be used for applications if this length of service is acceptable.

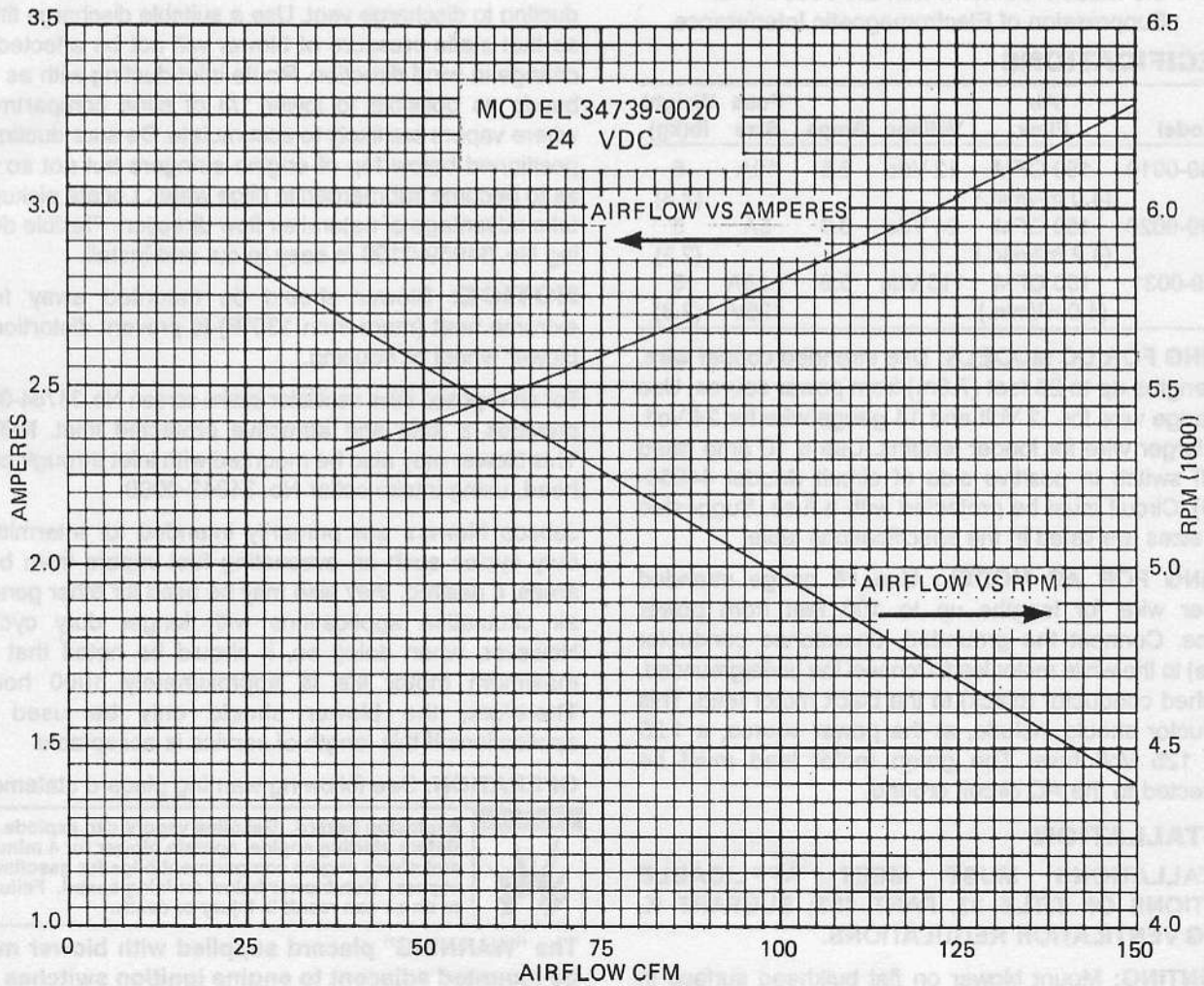
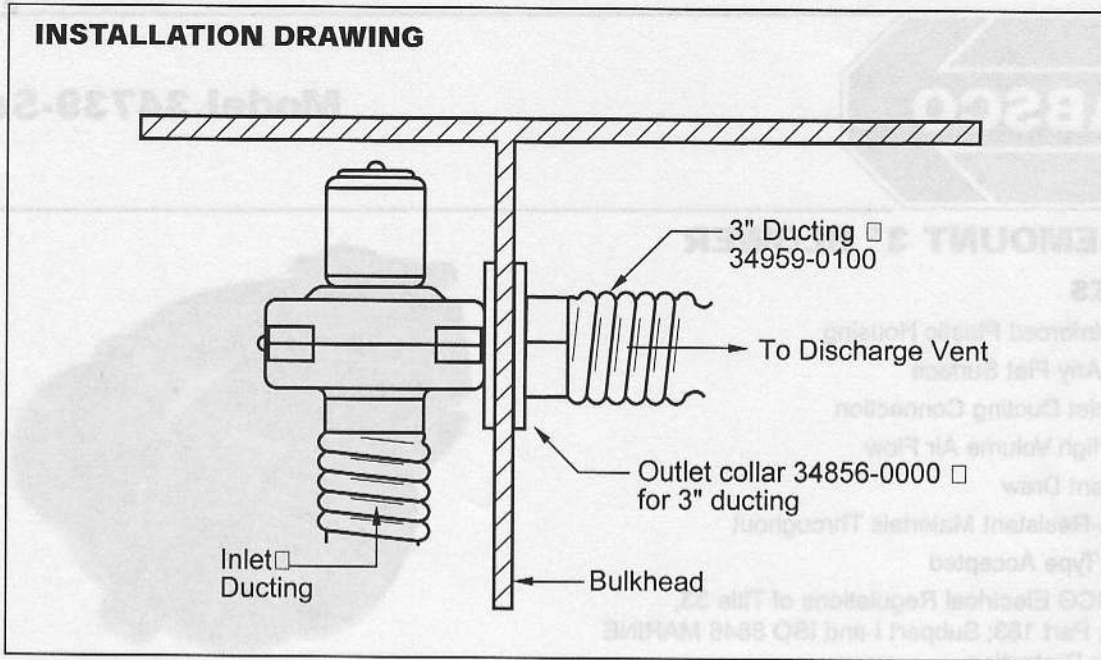
OPERATION: See following warning placard statement:

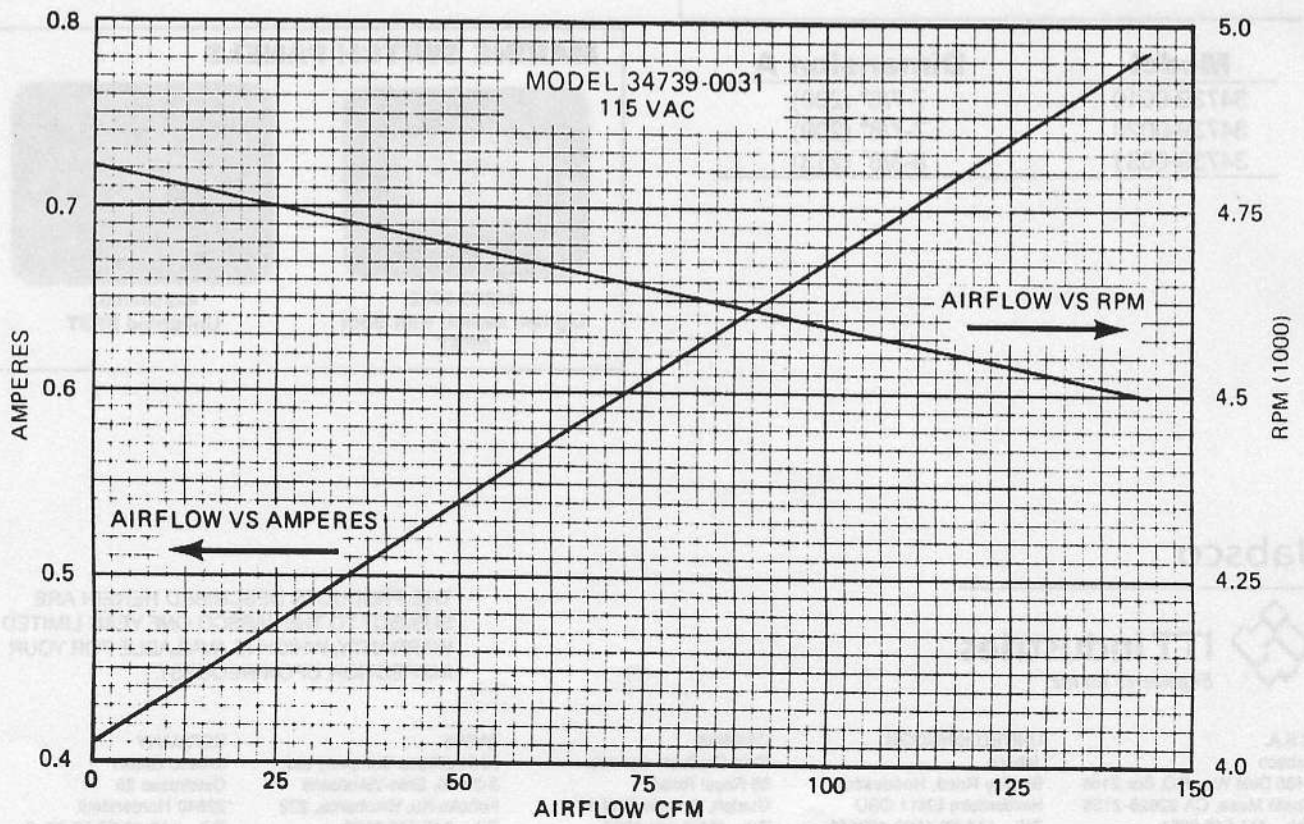
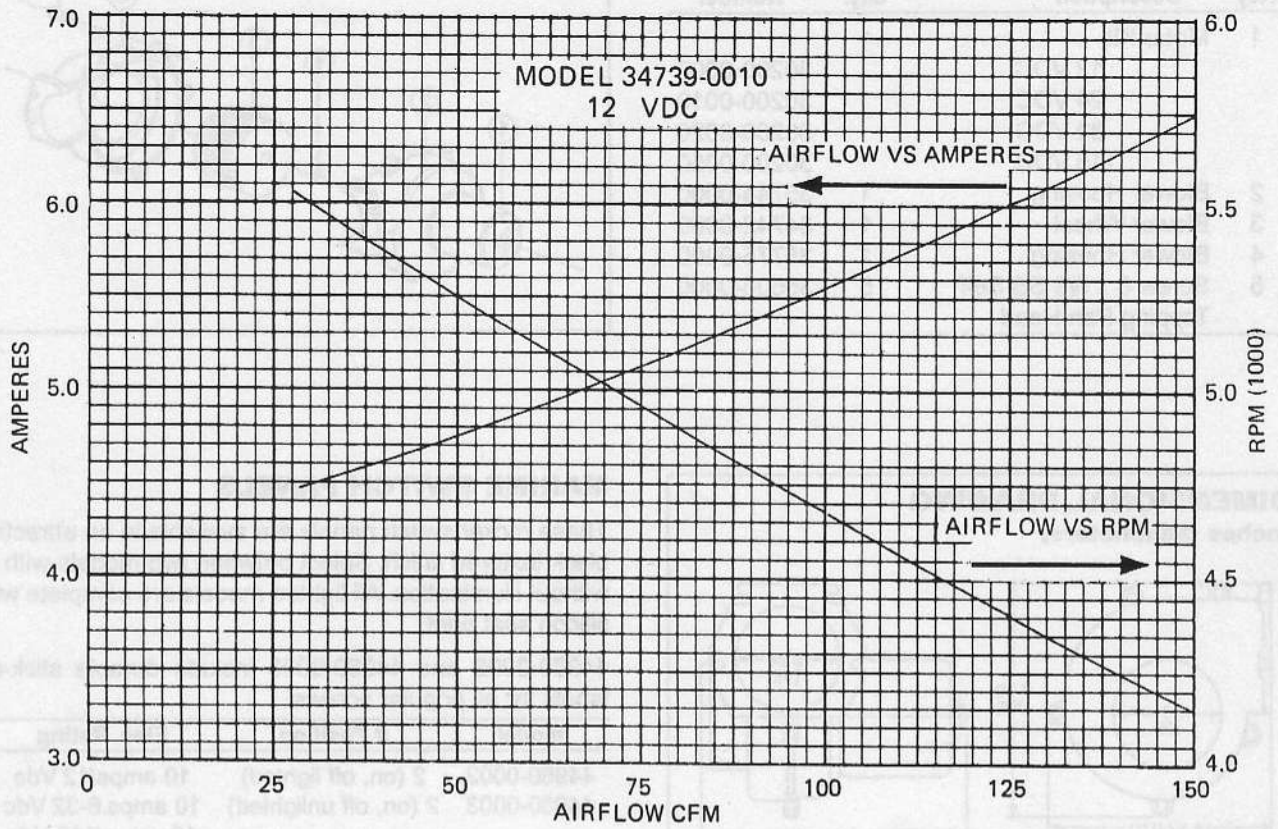
| | |
|--|--|
| | <p>WARNING Explosion hazard. Gasoline vapors can explode. Before starting engine, operate blower for 4 minutes and check engine compartment bilge for gasoline vapors. Run blower below cruising speed. Failure to do so can result in injury or death.</p> |
|--|--|

The "WARNING" placard supplied with blower must be mounted adjacent to engine ignition switches (all Locations) to comply with Title 33, Part 1834; Subpart K, USCG Ventilation Regulations.*

*Additional warning placards are available from factory by requesting form 43003-0418.

INSTALLATION DRAWING

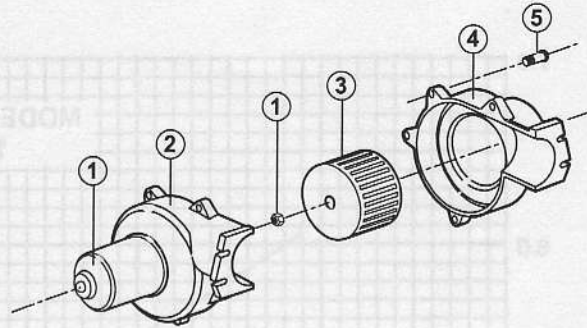




PARTS LIST

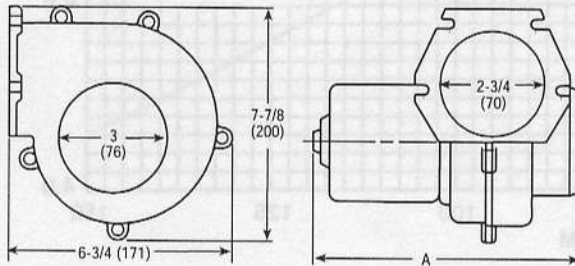
| Key | Description | Qty. | Part Number |
|-----|--|------|-------------|
| 1 | Motor Kit | 1 | |
| | 12 VDC | | 30200-0000 |
| | 24 VDC | | 30200-0010 |
| | 32 VDC | | 30200-0020 |
| | 115 VDC | | 30200-0050 |
| 2 | Blower Housing | 1 | 35744-0000 |
| 3 | Blower Wheel | 1 | 34742-0000 |
| 4 | Blower Housing | 1 | 35775-0000 |
| 5 | Screw 8 x 5/8 SS Self Tapping Pan Head | 5 | 35508-0000 |

PARTS VIEW



DIMENSIONAL DRAWING

Inches (Millimeters)



Model

Dimension A

| | |
|------------|--------------|
| 34739-0010 | 7-7/8" (200) |
| 34739-0020 | 7-7/8" (200) |
| 34739-0031 | 8-3/8" (213) |

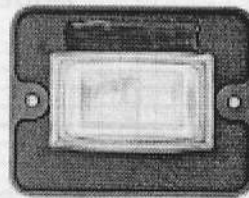
MARINE SWITCH PANELS

These rocker switch panels are available in an attractive black textured finish. Select between two models with or without illumination. All lighted models are complete with silicon seal boot.

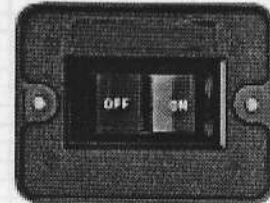
44960-0002 and 44960-0003 include durable stick-on labels for all popular screws.

| Model | # Position | Elec. Rating |
|------------|-----------------------|-------------------------------------|
| 44960-0002 | 2 (on, off lighted) | 10 amps/12 Vdc |
| 44960-0003 | 2 (on, off unlighted) | 10 amps.6-32 Vdc 10 amps/110 Vdc |

MARINE SWITCH PANELS



44960-0002
Lighted Switch with Boot
SPST



44960-0003
Unlighted SPST

Jabsco



ITT Industries
Engineered for life

U.S.A.
Jabsco
1485 Dale Way, P.O. Box 2158
Costa Mesa, CA 92628-2158
Tel: 714.545.8251
Fax: 714.957.0609

UNITED KINGDOM
Jabsco
Bingley Road, Hoddesdon
Hertfordshire EN11 OBU
Tel: +44 (0) 1992 450145
Fax: +44 (0) 1992 467132

CANADA
Fluid Products Canada
55 Royal Road
Guelph, Ontario N1H 1T1
Tel: (519) 821.1900
Fax: (519) 821.2569

JAPAN
NHK Jabsco Company Ltd.
3-21-10, Shin-Yokohama
Kohoku-Ku, Yokohama, 222
Tel: 045.475.8906
Fax: 045.475.8908

GERMANY
Jabsco GmbH
Oststrasse 28
22840 Norderstedt
Tel: +49-40-53 53 73 -0
Fax: +49-40-53 53 73 -11

THE PRODUCTS DESCRIBED HEREIN ARE SUBJECT TO THE JABSCO ONE YEAR LIMITED WARRANTY, WHICH IS AVAILABLE FOR YOUR INSPECTION UPON REQUEST.