

**JABSCO®**

## Model 34600-Series

### ELECTRIC BILGE PUMPS FEATURES

- Self-Priming
- Diaphragm Design Allows Dry Running
- Quiet Operation
- Large Surge Chamber for Even Water Flow
- Permanently Lubricated Ball Bearings on Shaft and Connecting Rod
- Large Vibration Absorbing Pads
- Corrosion Resistant Materials Throughout for Sea Water Service

This pump meets the following US Coast Guard Regulations:

- Meets USCG Regulation 183.410 and ISO 8846 MARINE for Ignition Protection.
- Flow Requirements (Title 46, Chapter 1, Subchapter T, Section 182.25-10) for Small Passenger Vessels.

This pump listed as NMMA accepted.

### SPECIFICATIONS

<b>Open Flow:</b>	10.8 GPM
<b>Vert. Dry Suction Lift:</b>	10 feet (3 m)
<b>Ports:</b>	1" Slip-on Hose
<b>Weight:</b>	13 lb (5,9 kg)

### APPLICATION

Jabco diaphragm pumps are self-priming so that they can be mounted above and outside of harsh bilge environments. Because they are mounted remotely, the intake hose can be routed to the lowest point of the bilge regardless of space limitations. The reliable diaphragm design is not damaged by dry running.

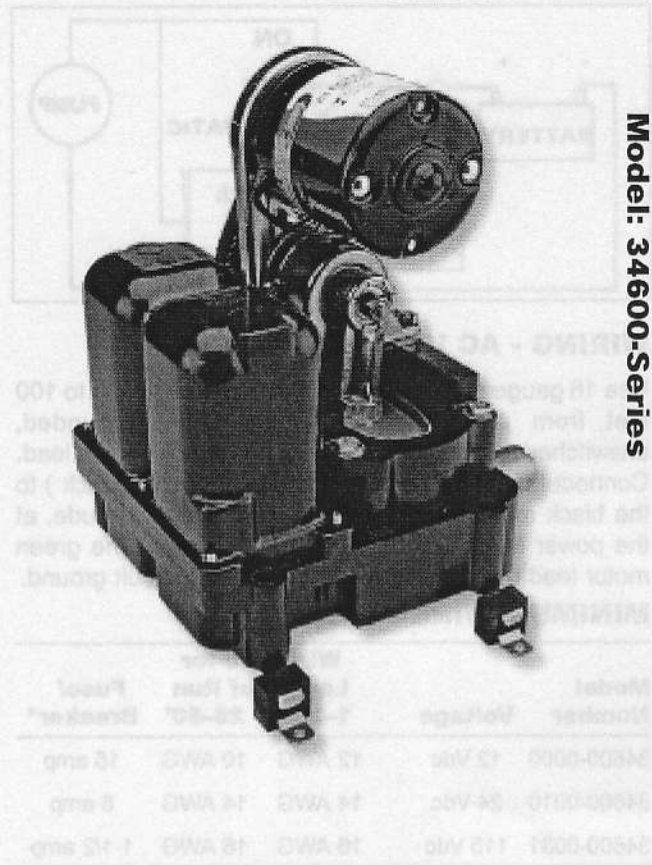
### INSTALLATION

#### MOUNTING

Pump must be mounted in a dry location, the motor is not waterproof. Selection of a dry, cool ventilated location will generally extend pump life. Adjust belt tension for 1/4 inch play between pulleys.

#### PLUMBING

For intake and discharge use 1" ID non-collapsible hose. Keep intake and discharge lines free of kinks and restrictions. For separate pump-out of fore and aft bilge compartments, use ball valves to shut off dry compartments.



Model: 34600-Series

Use a 1" bilge strainer (Model 35890-0010) in the intake line from the bilge to protect pump from debris.

### WIRING - DC VOLTAGE MODELS

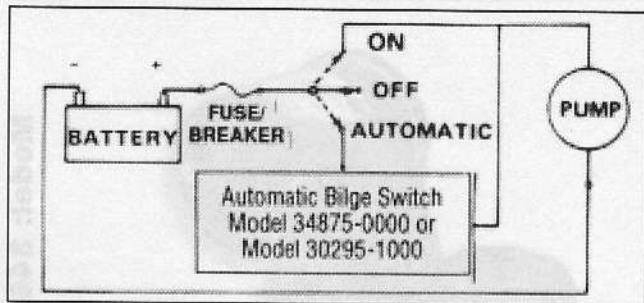
Wire pump in a circuit independent of all other electrical fixtures. Use stranded copper wire. Install fuse/breaker in positive circuit. See table for recommended wire and fuse size. See diagram for wiring connections. Use a 10 amp-rated switch (Model 44960-0000). After installation, it is recommended that voltage be checked at the motor terminals with motor operating under full load and all other appliances in the circuit operating. Voltage should not be less than 90% of rated motor voltage.

### Standard Models

Model No.	Voltage	Amperage Nominal
34600-0000	12 Vdc	9.5
34600-0010	24 Vdc	4.5
34600-0031	115 Vdc	1.0

## WIRING DIAGRAM FOR MANUAL-AUTOMATIC OPERATION

3-WAY SWITCH  
NO. 96070-0110  
OR 44960-0000  
OR 44960-0001



## WIRING - AC VOLTAGE MODEL

Use 16 gauge standard copper wire for lengths up to 100 feet from power source. Connect the grounded, unswitched conductor (white) to the white motor lead. Connect the ungrounded switched conductor (black) to the black motor lead. This conductor should include, at the power source, a 1.5 amp 125 Volt fuse. The green motor lead must be connected to the AC circuit ground.

## MINIMUM WIRE SIZES

Model Number	Voltage	Wire Size for Length of Run		Fuse/Breaker*
		1-25'	25-50'	
34600-0000	12 Vdc	12 AWG	10 AWG	15 amp
34600-0010	24 Vdc	14 AWG	14 AWG	8 amp
34600-0031	115 Vdc	16 AWG	16 AWG	1-1/2 amp

\*Customer supplied, not included with pump.

## MAINTENANCE

### WINTER STORAGE:

When possible, it is preferred that the complete pump or at least motor, diaphragm and valves be removed and stored in a warm dry place. If this is not possible, the pump must be completely drained, hoses removed and pump run until all water is expelled.

## SERVICE

### DIAPHRAGM AND CONNECTING ROD REPLACEMENT

1. Remove four tie down bolts.
2. Lift jack shaft and the attached diaphragm assembly from pump base.
3. Remove two diaphragm retainer screws and the bottom diaphragm retainer.
4. Remove nut holding connecting rod to jackshaft. Remove connecting rod and diaphragm from the top diaphragm retainer, then unscrew bolt to separate diaphragm and plates.

5. Check diaphragm for cuts and cracks. Check rod assembly bearing for excessive wear. Replace if badly worn.
6. Loosely reassemble diaphragm, diaphragm plates, connecting rod spacer and diaphragm bolt onto connecting rod.
7. Firmly secure connecting rod to jack shaft with the lock nut. Secure diaphragm to upper diaphragm retainer with the bottom diaphragm retainer and two screws.
8. Tighten connecting rod bolt.
9. Replace motor-mount-diaphragm assembly and fasten evenly to base with the four tie down bolts and washers.

## VALVE REPLACEMENT

1. Turn off power to pump. Remove four tie down bolts.
2. Expose valves by lifting jack shaft and attached diaphragm assembly from pump base. Remove and clean or replace valves.
3. Install valves, making sure rubber flapper is UP on intake and DOWN on discharge.
4. Replace motor-mount-diaphragm assembly and fasten evenly to base with the four tie down bolts and washers.

## SURGE CHAMBER GASKET REPLACEMENT

1. Remove six surge chamber screws and lift off the surge chamber. Remove and replace two gaskets.
2. Replace the surge chamber and six screws. Tighten evenly to ensure an air and water seal.
3. Reinstall and reconnect power leads.

## JABSCO MARINE SWITCH PANELS



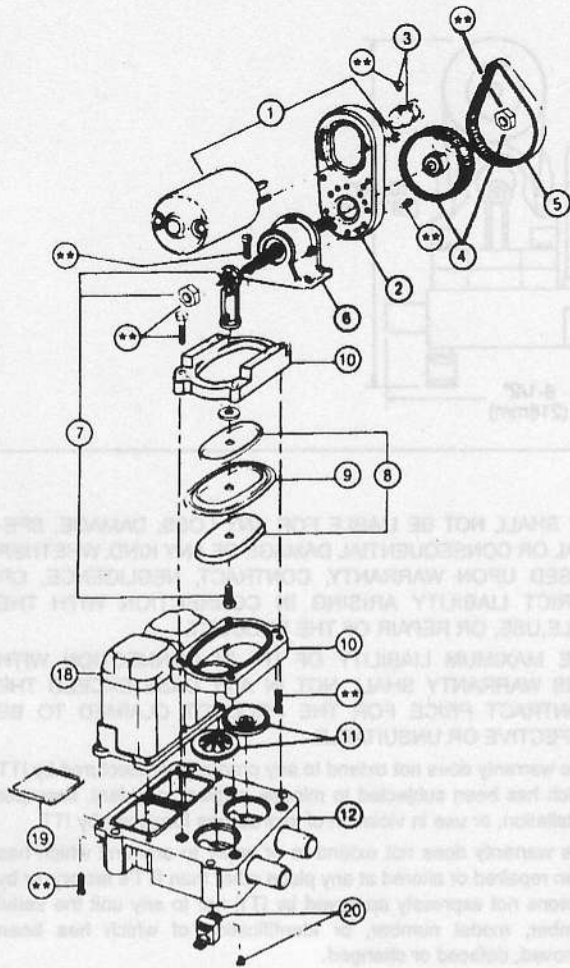
44960-0000  
LIGHTED SWITCH  
W/BOOT SPDT



44960-0001  
UNLIGHTED  
SPDT

(DC APPLICATIONS ONLY) (AC OR DC APPLICATIONS)

## EXPLODED VIEW



\*\* Indicates items included in Hardware Kit (Key 21).

## PARTS LIST

Key	Description	Part Number	Qty.
1	Motor Kit 12 Volt dc	30200-0000	1
	Motor Kit 24 Volt dc	30200-0010	
	Motor Kit 115Volt ac.	30200-0031	
2	Motor Mount	34628-0000	1
3	Small Pulley	37169-0000	
4	Large Pulley	37170-0001	
5	Belt	30021-0000	1
6	Jack Shaft Assembly	35037-0001	-See note
7	Connecting Rod Kit	37172-0001	-See note
8	Diaphragm Plates	34640-0060	-Top
		34637-0000	
9	Diaphragm	30012-0000	1
10	Retainer	34633-0000	-Top
		34634-0000	-Bottom
11	Valve Set (inlet & outlet)	30002-0000	*(set)
			1
12	Base Assembly†	34623-0000	1
18	Surge Chamber	34635-0000	
19	Gaskets	37181-0000	(set)
20	Vibration Pad Kit	37180-0000	† (set)
21	Hardware Kit	37164-0001	(set)
		30101-0000	Service Kit*

\*Indicates parts contained in service kit.

† Indicates parts supplied with base assembly.

NOTE—Jack shaft assembly kit, with part number ending in -0001 includes new style connecting rod (37173-0001) with a 5/16" diameter hole and two (2) locknuts. Previous model pumps use a connecting rod (37173-0000) with a 1/4" diameter hole and a bolt.

## TROUBLESHOOTING

### Problem

Loss of suction to pump

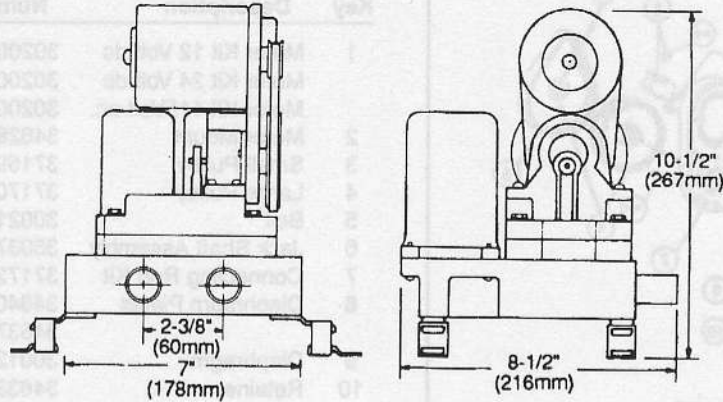
### Solution

Air leak in suction line.  
Bilge pickup not submerged.  
Intake hose kinked or plugged.  
Fouled intake or discharge valve.

Rough or noisy operation

Intake or discharge hose kinked or plugged.  
Pump not mounted firmly.  
Loosened eccentric screw.

**DIMENSIONAL DRAWING**  
INCHES (MILLIMETERS)



**One Year Limited Warranty**

**A. LIMITED WARRANTY:** ITT warrants that at the time of shipment, the products manufactured by ITT and sold hereunder shall be in conformity with applicable written specifications and descriptions referred to or set forth herein, free from defects in material and workmanship, merchantable, and suitable for a particular purpose, provided such is implied by State law under the circumstances of this sale.

**B. WARRANTY ADJUSTMENT:**

1. ITT agrees to repair or furnish a replacement for, but not to remove or install, any product or component thereof which, within one (1) year from date of purchase, shall upon test and examination by ITT prove defective within the above warranty. Receipt verifying purchase date is required to obtain adjustment.
2. Buyer shall notify ITT of any defect within this warranty no later than ninety (90) days after the defect is discovered.
3. No product will be accepted for return or replacement without the prior written authorization of ITT. Upon such authorization, and in accordance with instructions from ITT, the product will be returned to ITT, shipping charges prepaid by Buyer. Products returned to ITT will be addressed as follows:

**ITT JABSCO**  
1485 Dale Way  
Costa Mesa, California 92626-3998

Or to such alternate locations as may be designated on the product, its container, or this sheet.

Repair or replacement made under this warranty will be shipped prepaid to Buyer

**C. EXCLUSIONS FROM WARRANTY AND LIMITATION OF LIABILITY:**

1. The foregoing warranty is limited solely as set forth herein and applies only for the period designated above.

2. ITT SHALL NOT BE LIABLE FOR ANY LOSS, DAMAGE, SPECIAL OR CONSEQUENTIAL DAMAGE OF ANY KIND, WHETHER BASED UPON WARRANTY, CONTRACT, NEGLIGENCE, OR STRICT LIABILITY ARISING IN CONNECTION WITH THE SALE, USE, OR REPAIR OF THE PRODUCT.
3. THE MAXIMUM LIABILITY OF ITT IN CONNECTION WITH THIS WARRANTY SHALL NOT IN ANY CASE EXCEED THE CONTRACT PRICE FOR THE PRODUCT CLAIMED TO BE DEFECTIVE OR UNSUITABLE.
4. This warranty does not extend to any product manufactured by ITT which has been subjected to misuse, neglect, accident, improper installation, or use in violation of instructions furnished by ITT.
5. This warranty does not extend to or apply to any unit which has been repaired or altered at any place other than ITT's factory, or by persons not expressly approved by ITT, nor to any unit the serial number, model number, or identification of which has been removed, defaced or changed.
6. Components manufactured by any supplier other than ITT shall bear only that warranty made by the manufacturer of that product.
7. This warranty applies to products defined as "consumer products" by the Consumer Product Warranties Act as from time to time amended.

**D. CONSUMER RIGHTS:** This warranty gives you specific legal rights, and you may have other rights which vary from state to state. Some states do not allow exclusion or limitation of damages.

**STANDARD WARRANTY:** If the products manufactured and sold hereunder are not Consumer Products, the warranty extended to Buyer shall be as set forth in subparagraphs (A), (B), and (C), EXCEPT THAT ALL EXPRESS OR IMPLIED WARRANTIES OR MERCHANTABILITY OR SUITABILITY FOR ANY PARTICULAR PURPOSE ARE EXCLUDED.

Jabsco



U.S.A.  
Jabsco  
1485 Dale Way, P.O. Box 2158  
Costa Mesa, CA 92628-2158  
Tel: (714) 545-8251  
Fax: (714) 957-0609

UNITED KINGDOM  
Jabsco  
Bingley Road, Hoddesdon  
Hertfordshire EN11 0BU  
Tel: +44 (0) 1992 450145  
Fax: +44 (0) 1992 467132

CANADA  
Fluid Products Canada  
55 Royal Road  
Guelph, Ontario N1H 1T1  
Tel: (519) 821 -1900  
Fax: (519) 821-2569

JAPAN  
NHK Jabsco Company Ltd.  
3-21-10, Shin-Yokohama  
Kohoku-Ku, Yokohama, 222  
Tel: 045-4758906  
Fax: 045-475-8908

GERMANY  
Jabsco GmbH  
Oststrasse 28  
22844 Norderstedt  
Tel: +49-40-53 53 73 -0  
Fax: +49-40-53 53 73 -11

THE PRODUCTS DESCRIBED HEREIN ARE SUBJECT TO THE JABSCO ONE YEAR LIMITED WARRANTY, WHICH IS AVAILABLE FOR YOUR INSPECTION UPON REQUEST.