




PAR-MAX3 30610-Series Shower Drain 3.4 GPM  
 PAR-MAX4 30700-Series Washdown/Livewell 3.8 GPM  
 PAR-MAX4 30705-Series Bilge/Livewell 3.8 GPM

PAR-MAX3  
 PAR-MAX4

FEATURES

- Self-Priming
- Run Dry Ability
- Easy Installation
- Snap-in Port Fittings 3/4" (19mm) or 1/2" (13mm) Hose
- Pumpguard strainer included
- Matched spray nozzle (30700)
- Super Quiet
- Smooth Flow
- Waterproof Coating (30700 & 30705-Series)
- Meets USCG Regulation 183.410 and ISO 8846 MARINE for Ignition Protection
- Complies with EC Machinery Directive 89/382
- All models  marked

SPECIFICATIONS

Pump Body: Glass Filled Polypropylene  
 Pump Design: Multi-Chamber Diaphragm  
 Suction Lift: Self-Priming to 6 ft. (2m)  
 Ports: 3/4" (19 mm) Hose Barb  
 1/2" (13 mm) Hose Barb -  
 Models 30700-0392 and 30700-0394  
 Motor: Permanent Magnet with  
 Thermal overload protection  
 Shipping Weight: 5.5 lb (2.5 kg) approx.

**NOTE: Models - XX9X conform with EN50081-1 for suppression of electro-magnetic interference**



30700-Series 3.8 GPM

30705-Series 3.8 GPM / 30610-Series 3.4 GPM


Models 30610, 307000, &  
 30705-Series

APPLICATIONS

30700-series – High velocity pump for anchor and general deck washdown. Compact size with matched hi-output spray nozzle. Corrosion resistant coated motor and sealed pressure switch for fresh or salt water use. Also great for continuous duty operation in livewell applications.

30705-series – For bilge/livewell applications that do not require a pressure switch. Low amp draw, can run dry and super quiet.

30610-series – Compact, self-priming pump for shower drain applications. Run dry without damage. Pump shower and grey water. Inlet and outlet ports fit 3/4" (19 mm) hose.

	<b>WARNING</b>
	Explosion hazard. Do not pump gasoline, solvents, thinners or other flammable liquids. To do so can cause an explosion resulting in injury or death.

VARIATIONS MODEL	APPLICATION	GPM LPM	VOLTS	SHUT-OFF PSI (BAR)	AMP DRAW		FUSE/ BREAKER†
					@10 psi	@ 40 psi	
<b>PAR-MAX 3</b>							
30610-0092	SHOWER DRAIN	3.4/12,8	12 Vdc	N/A	5		10
30610-0094	SHOWER DRAIN	3.4/12,8	24 Vdc	N/A	3		10
<b>PAR-MAX 4</b>							
30700-0092	WASHDOWN/LIVEWELL	3.8/14,4	12 Vdc	60 (4,1)	5	10	15
30700-0392	WASHDOWN/LIVEWELL	3.8/14,4	12 Vdc	60 (4,1)	5	10	15
30700-0094	WASHDOWN/LIVEWELL	3.8/14,4	24 Vdc	60 (4,1)	2.5	5	5
30700-0394	WASHDOWN/LIVEWELL	3.8/14,4	24 Vdc	60 (4,1)	2.5	5	5
30705-0092	BILGE/LIVEWELL	3.8/14,4	12 Vdc	N/A	6		15
30705-0094	BILGE/LIVEWELL	3.8/14,4	24 Vdc	N/A	3		5

† Customer supplied, not included with pump.

## INSTALLATIONS

### MOUNTING

The PAR-MAX pumps are self-priming and may be located above or below the fresh water supply in a dry location. To vertically mount these units, it is best to do so with the motor on top. This will prevent water dripping on motor in the event of a leak. Place pump on a solid surface and secure with four mounting screws being careful not to compress the rubber grommets which act as shock absorbers.

### PLUMBING

IT IS RECOMMENDED THAT MARINE GRADE REINFORCED HOSE BE USED FOR ALL PLUMBING WITH THESE MODELS OF PAR-MAX PUMPS.

#### **30700-Series** – Washdown/Livewell

Install the Pumpgard strainer (provided) to the hose from the water source (thru-hull seacock or water tank). Connect the Pumpgard strainer to the pump inlet port. Connect the pump discharge to a 3-way valve or T (if livewell has a shutoff valve). Connect to livewell and to hose bib. From hose bib use new spray nozzle.

#### **30705-Series** – Bilge/Livewell

The 30705-series pumps can be used as either a bilge pump or as a bait tank/livewell pump. Connect from bilge to Pumpgard strainer (provided) to pump to discharge. Or from thru-hull seacock to Pumpgard to pump to tank.

#### **30610-Series** – Shower Drain

Install hose from shower drain to Pumpgard strainer. Connect Pumpgard to pump inlet port. Install hose from pump outlet port to discharge thru-hull or grey water holding tank.

Note - Pumpgard strainers should be mounted in the most accessible place possible to make periodic cleaning of the screen easier.

### WIRING

In an easily accessible location, install a switch to control electricity to the pump. The switch should have an amp rating equal to or greater than the fuse size specified for the pump. Turn the pump off when not used for extended periods or when the tank is out of water.

The electrical circuit should be protected with an overcurrent protection device in the positive lead. See chart for proper size. The pump circuit should not include any other electrical loads. The open terminal on the switch is positive. Black Wire from the motor is negative.

Select wire size from chart below. Use total length of wire from electrical source to pump and return. Chart allows for 3% voltage drop. If in doubt, use next larger wire size.


If you are not familiar with applicable electrical standards, have the unit installed by a qualified electrician.

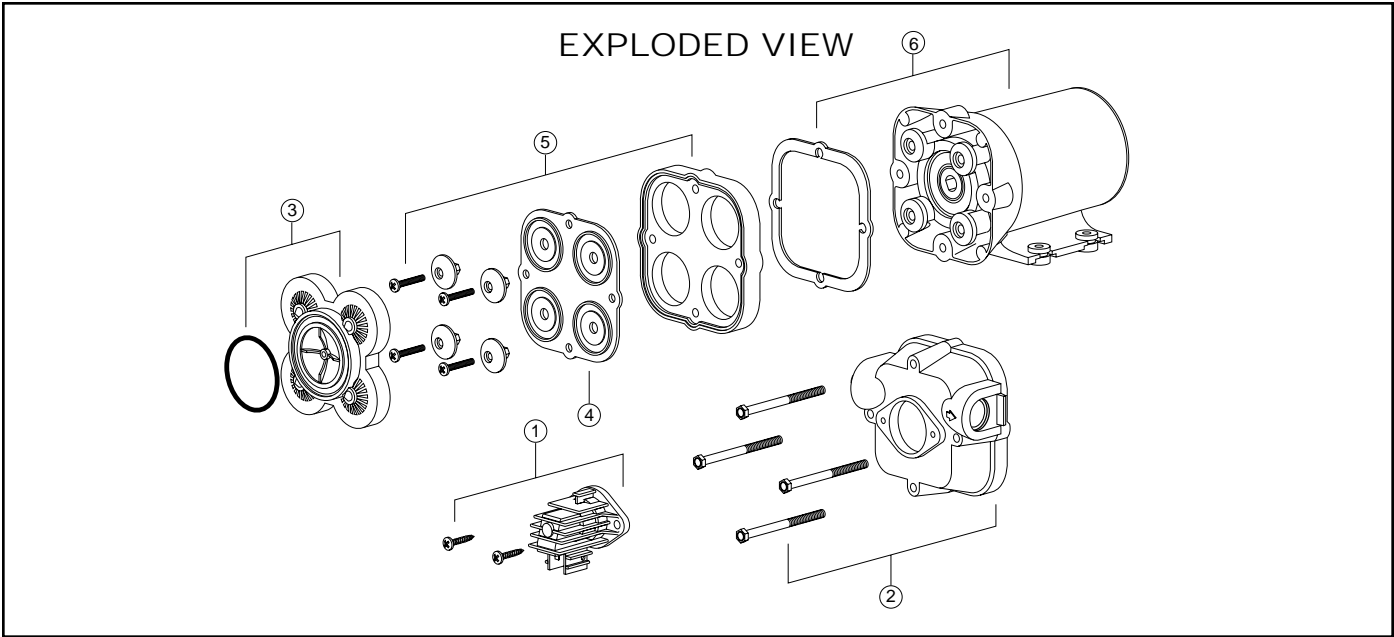
After installation, check the voltage at the pump motor. Voltage should be checked when pump is operating along with all the inside electrical fixtures. Full voltage must be available at the pump motor at all times.

Total length in feet	0-20 (0-6 m)	20-35 (6-11 m)	35-55 (11-17 m)
12 Volt	#14 AWG (2.5 mm <sup>2</sup> )	#12 AWG (4 mm <sup>2</sup> )	#10 AWG (6 mm <sup>2</sup> )
24 Volt	#16 AWG (1.5 mm <sup>2</sup> )	#14 AWG (2.5 mm <sup>2</sup> )	#12 AWG (4 mm <sup>2</sup> )

### OPERATION

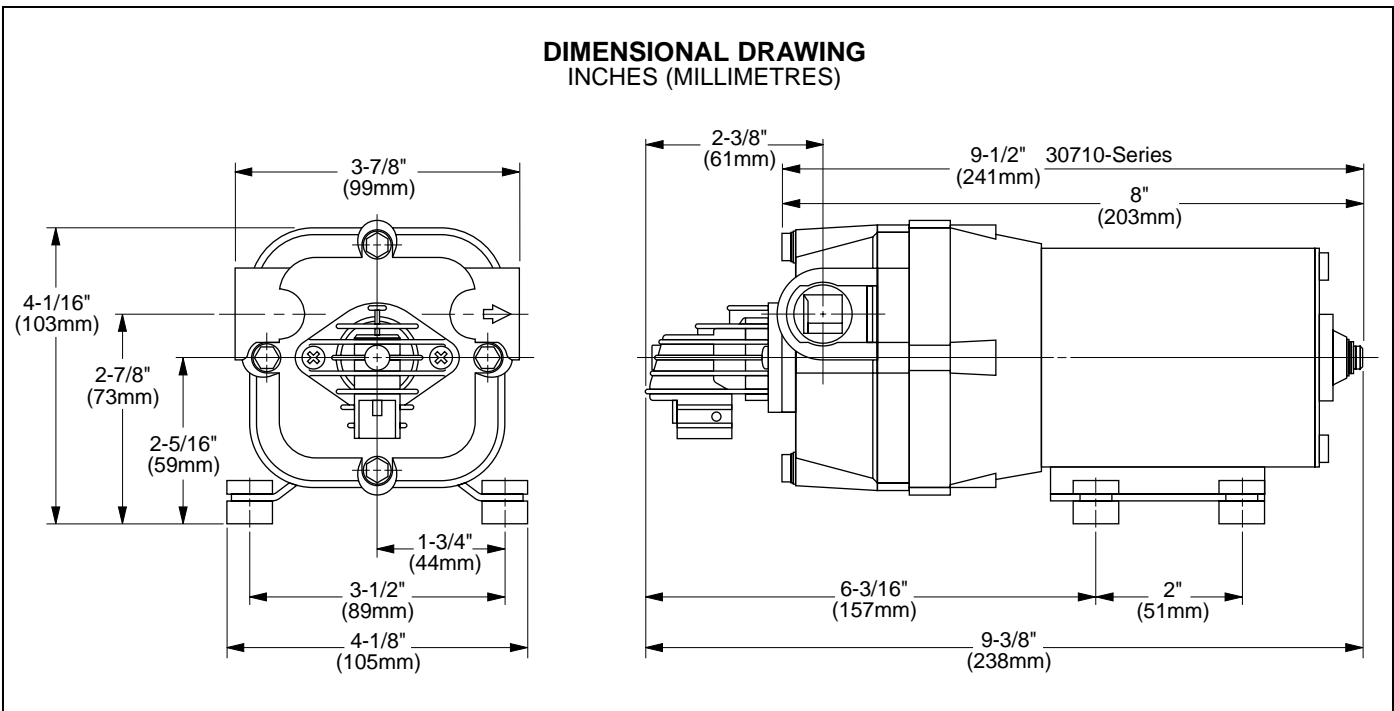
1. Open seacock (washdown or livewell applications).
2. Open hose bib and/or spray nozzle (30700, 30710-series) or make sure discharge thru-hull is clear (30705 and 30610-series).
3. Turn on pump.
4. 30700-series. Close spray nozzle/hose bib when water runs free of air. Pump is now ready for automatic demand operation.
5. 30610 & 30705-series pumps do not have a pressure switch and are usually switched manually.

	<b>CAUTION</b> Motor case will get hot. Prolonged contact during operation may cause a burn.
---	---



**PARTS LIST**

Key	Description	Qty. Req.	Part Number			
			30700-0012 30700-0024	30700-0312 30700-0324	30705-Series	30610-Series
1	Pressure Switch	1	44050-1000	44050-1000	N/A	N/A
2	Body Kit	1	30608-1000	30608-1000	30608-1001	30608-1001
3	Valve Kit	1	30613-1000	30613-1000	30613-1001	30613-1001
4	Diaphragm Kit	1	30617-1000	30617-1000	30617-1000	30617-1000
5	Plate/Piston Kit	1	30682-1000	30682-1000	30682-1000	30682-1000
6	Motor Kit 12V EMC COMP	1	18753-0579	18753-0579	18753-0579	18753-0575
	24V EMC COMP	1	18753-0595	18753-0595	18753-0595	18753-0576
	Items not shown					
	Port Kit: 1/2" Hose Barb	2		30654-1000		
	3/4" Hose Barb	2	30653-1000		30653-1000	30653-1000
	Pumpgard Strainer	1	36200-0000	36400-0020	36200-0000	36200-0000
	Spray Nozzle	1	30703-1000	30704-1000	N/A	N/A



## TROUBLESHOOTING

All lights are thoroughly inspected before shipping and are warranted to operate within specifications. If light does not operate correctly, check fuse and wire harness connections before proceeding.

Problem	Solution
Pulsating flow – Pump cycles on and off	Restricted pump delivery. Check discharge lines, fittings and valves for undersizing or clogging.
Failure to prime-motor operates, but no pump discharge	Restricted intake or discharge line Air leak in intake line Punctured pump diaphragm Debris under flapper valves Crack in pump housing
Pump fails to turn off after all outlets are closed	Empty water tank Air leak in intake line Punctured pump diaphragm Discharge line leak Defective pressure switch Insufficient voltage to pump Debris under flapper valves
Low flow and pressure	Air leak at pump intake Accumulation of debris inside pump and plumbing Worn pump bearing (excessive noise) Punctured pump diaphragm Defective motor
Motor fails to turn on	Loose wiring connection Pump circuit has no power Blown fuse/Thermal Protector Tripped Pressure switch failure Defective motor

**CAUTION** PAR-MAX pumps have thermal overload protected motors. The motor will automatically shut off as temperature rises due to an overload condition. If the motor shuts off in this manner, close all nozzles, faucets or valves. After a cooling off period, the pump will automatically re-start.

## JABSCO WATER PRESSURE SYSTEM ACCESSORIES



**SPRAY NOZZLE**



**PUMPGARD  
36400-SERIES**

### Jabsco



**ITT Industries**  
*Engineered for life*



THE PRODUCTS DESCRIBED HEREIN ARE SUBJECT TO THE JABSCO ONE YEAR LIMITED WARRANTY, WHICH IS AVAILABLE FOR YOUR INSPECTION UPON REQUEST.

**U.S.A.**  
Jabsco  
1485 Dale Way, P.O. Box 2158  
Costa Mesa, CA 92628-2158  
Tel: (714) 545-8251  
Fax: (714) 957-0609

**UNITED KINGDOM**  
Jabsco  
Bingley Road, Hoddesdon  
Hertfordshire EN11 0BU  
Tel: +44 (0) 1992 450145  
Fax: +44 (0) 1992 467132

**CANADA**  
Fluid Products Canada  
55 Royal Road  
Guelph, Ontario N1H 1T1  
Tel: (519) 821 -1900  
Fax: (519) 821-2569

**JAPAN**  
NHK Jabsco Company Ltd.  
3-21-10, Shin-Yokohama  
Kohoku-Ku, Yokohama, 222  
Tel: 045-4758906  
Fax: 045-475-8908

**GERMANY**  
Jabsco GmbH  
Oststrasse 28  
22844 Norderstedt  
Tel: +49-40-53 53 73 -0  
Fax: +49-40-53 53 73 -11