




**MODEL 30520-5XXX
30520-3XXX**

a xylem brand

SELF-PRIMING PUMPS FEATURES

Pump Type:	30520-5XXX Close Coupled 30520-3XXX Pump Head
Body:	Epoxy Plastic
Impeller:	Neoprene, Nitrile, Viton* or EPDM
Shaft Seal:	Mechanical, Carbon-on-Ceramic or Tungsten Carbide; Nitrile or Viton
Ports:	1" NPT Internal
Shaft:	Epoxy Plastic Covered Stainless Steel
Motor:	115/230 Vac, Single Phase, 60Hz, 1-1/2 HP, 1740 RPM, TEFC, H145 TC Frame, C-Face, Overload Protected, Capacitor Start
Weight:	30520-5XXX 54.5 lb (24,7 kg) Approx. 30520-3XXX 10.5 lb (4,8 kg)

 WARNING	Explosion hazard. Motor can spark. Explosion & death can occur. Do not use where flammable vapors are present.
---	---

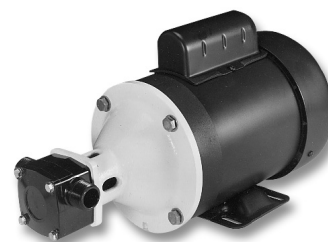
Approx.

VARIATIONS AVAILABLE

MODEL NO.	DESCRIPTION
30520-5001	Standard Pressure, Neoprene
30520-3001	Impeller, Carbon Seal
30520-5003	Standard Pressure, Nitrile
30520-3003	Impeller, Carbon Seal
30520-5004	Standard Pressure, Viton Impeller,
30520-3004	Carbon Seal
30520-5101	Standard Pressure, Neoprene
30520-3101	Impeller, Tungsten Carbide Seal
30520-5103	Standard Pressure, Nitrile
30520-3103	Impeller, Tungsten Carbide Seal
30520-5104	Standard Pressure, Viton
30520-3104	Impeller, Tungsten Carbide Seal

APPLICATIONS

INDUSTRIAL: Circulating and transferring corrosive liquids. Returning spilled liquids to process. Transferring foaming solutions with entrained air, such as soaps and detergents. Sampling and pilot plant installations. Handles pure solutions, acids, alkalies, photo chemi-



Models 30520-5XXX, 30520-3XXX

icals, dyes, detergents, waxes, gels, solutions with suspended solids and emulsions.


METAL PLATING: Filtration of plating solutions. Filling and emptying vats. Adding chemicals for Ph balance.

PHARMACEUTICAL: Processing lab solutions, medicines, lotions and preparations. Filtering pharmaceutical solutions.

AGRICULTURAL: Transferring liquid fertilizers, herbicides and pesticides.

OPERATING INSTRUCTIONS

- 1. INSTALLATION** – Pump may be mounted in any position. The rotation of the pump shaft determines the location of the pump's intake and discharge ports (Refer to dimensional drawing). Pump is normally assembled at factory for clockwise rotation (looking at end cover). If counter clockwise rotation is desired, follow steps 1 and 2 of disassembly and step 7 of assembly instructions to change direction of impeller blade deflection under cam.
- 2. MOTOR SELECTION** – Pump head is designed to fit a 145 TC Frame NEMA C-face motor. Motor should be rated 1-1/2 horsepower at 1750 RPM with a service factor of one. Due to high bearing loads, motor should be ball bearing equipped with the front bearing locked against axial movement. Motor should be capacitor start and foot mounted.
- 3. SPEEDS** – 100 RPM to the maximum shown in the performance curves. For longer pump life, operate

 WARNING	Explosion hazard. Do not pump gasoline, solvents, thinners or other flammable liquids. To do so can cause an explosion resulting in injury or death.
---	---

* Viton is a trademark of E.I. Du Pont de Nemours and Company.

at lowest possible speeds. Lower speeds are required for viscous liquids. Consult the factory for proper speeds and horsepower requirements.

OPERATING INSTRUCTIONS (Cont.)

4. SELF-PRIMING — Primes at low or high speeds. For vertical dry suction lift of 10 feet, a minimum of 860 RPM is required. Pump will produce suction lift up to 22 feet when wet. BE SURE SUCTION LINES ARE AIRTIGHT OR PUMP WILL NOT SELF-PRIME.
5. DISCHARGE — When transferring liquids further than 25 feet, use one size larger discharge line than discharge port size.
6. RUNNING DRY — Unit depends on liquid pumped for lubrication. DO NOT RUN DRY for more than 30 seconds. Lack of liquid will damage the impeller and seal.
7. CHEMICAL COMPATIBILITY — Consult the Chemical Resistance Guide in the JABSCO Industrial Pump Catalog (available upon request from ITT Jabsco) or factory for proper body materials and impeller compounds. If corrosive fluids are handled, pump life will be prolonged if pump is flushed with a neutralizing solution after each use or after each work day. A Tungsten Carbide Seal variation is available for pumping liquids that contain abrasives or are highly corrosive.
8. PRESSURES — Consult Performance Curves for maximum recommended pressures for pumps in continuous operation. If pressures exceed those shown, consult the factory.
9. TEMPERATURES — The operating temperature limits of the pump depend on the impeller compound. The following ranges apply: Neoprene - 45° to 180° F (7° to 82° C), Nitrile - 50° to 180° F (10° to 82° C), Viton - 60° to 180°F (15° to 82°C), EPDM - 45° to 185°F (7° to 85°C).
10. IMPELLER TORQUE — The torque required to initiate rotation of a new impeller in a dry pump body is:
Standard Pressure Impeller:
Forward = 4.8 pounds force – feet
Reverse = 11.2 pounds force – feet
These values may vary slightly due to impeller compounding, blade set, and body material of construction. Consult factory for more information.
11. SPARE PARTS — To avoid costly shutdowns, keep a spare JABSCO impeller, seal and O-ring set on hand.

SERVICE INSTRUCTIONS

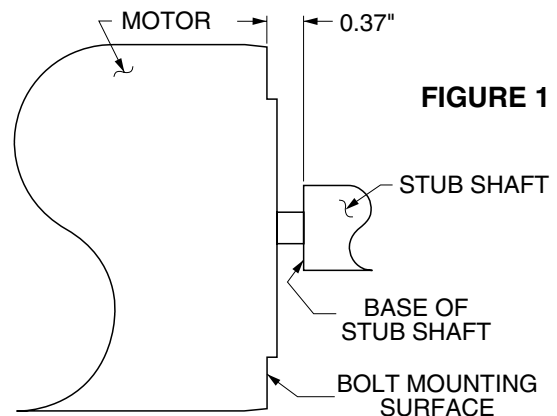
DISASSEMBLY

1. Remove the four end cover screws. Remove end cover and O-ring.
2. Remove the four screws holding the body to the adapter flange. Slide body, complete with impeller and wearplate, from adapter and shaft.
3. Remove mechanical seal by inserting two screwdrivers behind seal collar, and gently lever collar and seal assembly forward on shaft. Use extreme care not to mar shaft surface. Remove seal seat and rubber cup.

4. Remove the four screws holding the adapter to the motor and remove the adapter.
5. The stub shaft is held in place with set screws and Loctite® RC/680 retaining ring compound. Extreme care must be taken not to damage the motor shaft and bearings when removing the stub shaft. Heat shaft joint area to facilitate disassembly of set screws and stub shaft from motor shaft. DO NOT EXCEED 300°F when heating joint area. Once joint area has been heated, remove set screws and slide stub shaft from motor shaft.

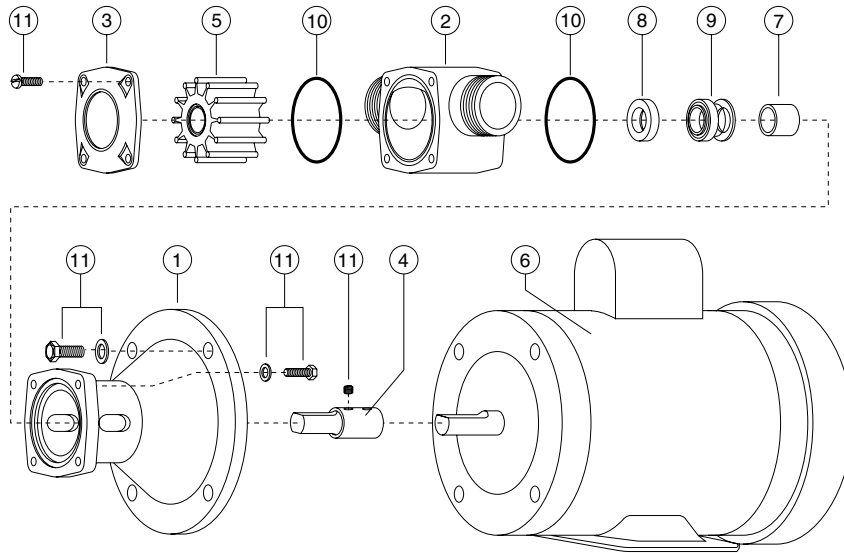
ASSEMBLY

1. Liberally apply Loctite RC/680 retaining compound to the motor shaft and slide the stub shaft on, positioning the base of the stub shaft 0.37" from the bolt mounting surface of the motor. For clarification refer to Figure 1 below. Apply Loctite to the four set screws and torque to 85 - 90 in. lbs. Wipe off excess Loctite.
2. Replace the adapter on the motor and tighten the four mounting screws to 20 ft. lbs.
3. Replace mechanical seal by sliding spacer onto shaft up to locating shoulder, then smear shaft with light lubricating oil. Push on seal gently until it engages with spacer. Fit rubber cup and seal seat into rear of pump body.
4. Insert impeller in pump body, fit O-ring in each end of the pump body.
5. Slide body assembly over shaft. Fit body to adapter screws. Torque screws to 30 in. lbs.
NOTE: DO NOT overtighten screws. Cracking of body may occur.
6. Fit end cover and end cover screws. Torque screws to 30 in. lbs.
7. Changing Pump Rotation (looking at end cover):
Clockwise Rotation: Insert impeller into pump body with blades bending counterclockwise.
Counterclockwise Rotation: Insert impeller into pump body with blades bending clockwise.



*Loctite is a trademark of the Loctite Corporation.

EXPLODED VIEW

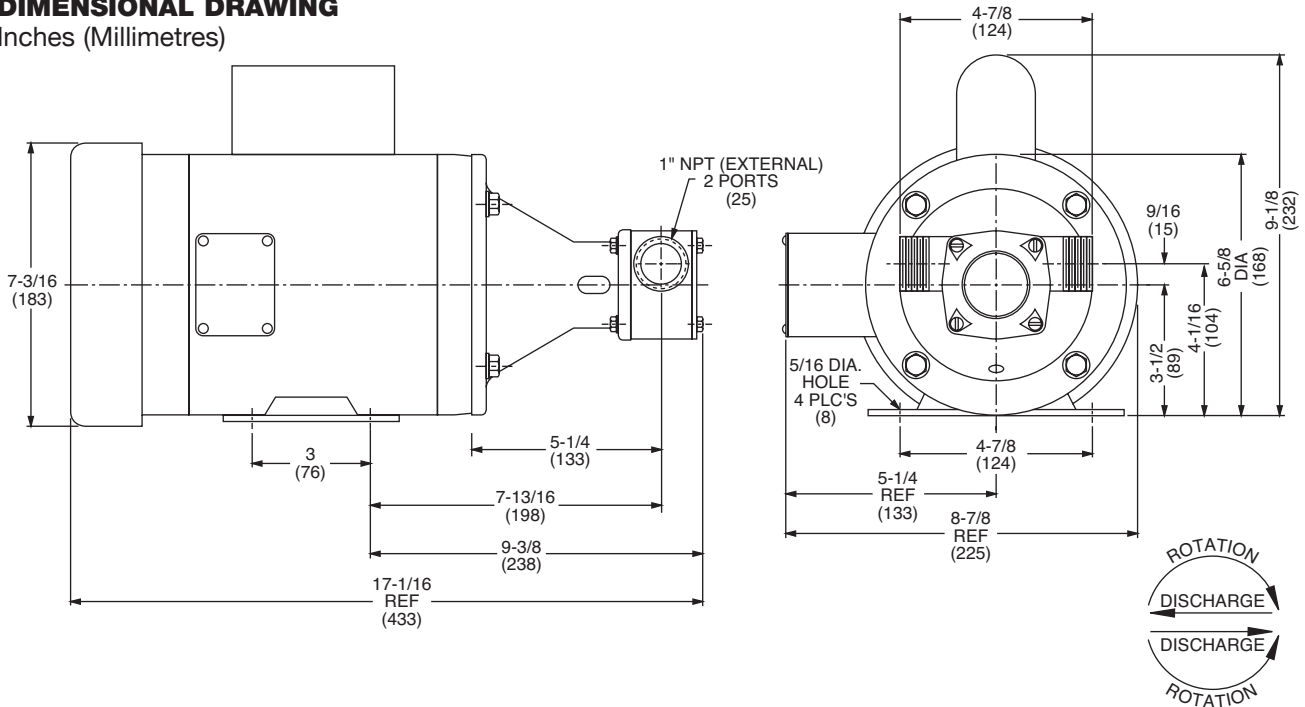


PARTS LIST

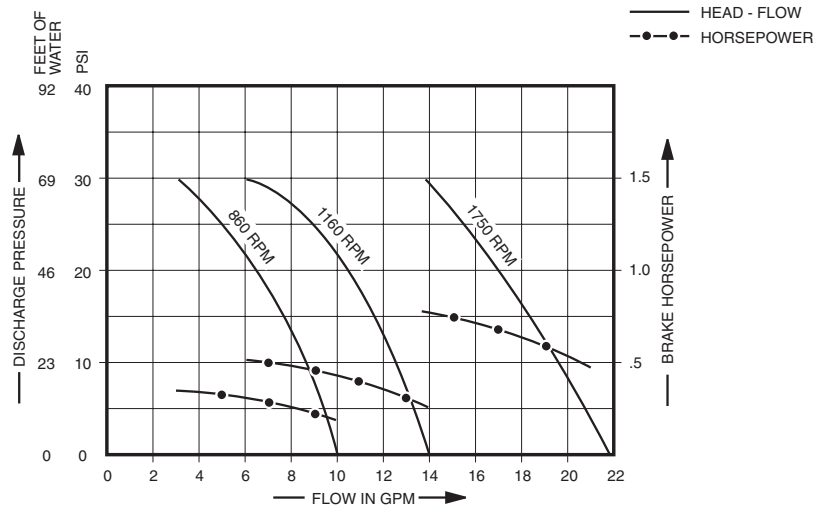
Key	Description	Qty. Req.	30520-5XXX Part Number	Qty. Req.	30520-3XXX Part Number
1	Adaptor	1	18753-0216	1	18753-0216
2	Body	1	18753-0190	1	18753-0190
3	End Cover	1	18753-0196	1	18753-0196
4	Shaft	1	18753-0212	1	18753-0212
5	Impeller:	1		1	
	Standard Pressure – Neoprene		14282-0001		14282-0001
	Standard Pressure – Nitrile		14282-0003		14282-0003
	Standard Pressure – Viton		14282-0004		14282-0004
	Standard Pressure – EPDM		8981-0002		8981-0002
6	Motor, 1-1/2 HP, 115/230 Vac, 1Ph, 60Hz, TEFC, C-Face, H145 TC Frame	1	18753-0339		
7	Spacer	1	18753-0227	1	18753-0227
8	Seal Seat:	1		1	
	Nitrile		18753-0235		18753-0235
	Ceramic Viton		18753-0236		18753-0236
9	Seal Mech.:	1		1	
	Carbon – Nitrile		18753-0245		18753-0245
	Carbon – Viton		18753-0246		18753-0246
	Tungsten Carbide – Nitrile		18753-0247		18753-0247
	Tungsten Carbide – Viton		18753-0248		18753-0248
10	O-Ring:	2		2	
	Nitrile		18753-0263		18753-0263
	Viton		18753-0264		18753-0264
11	Screw Kit:	1		1	
	consists of		18753-0284		18753-0284
	Screws, Hex Hd. 3/8 -16 x 1" (4)				
	Screws, Hex Hd M5 x 16mm (4)				
	Screws, Hex Hd M5 x 160mm (4)				
	Set Screw, Cup Pt. 1/4-20 x 3/8 (2)				
	Set Screw, Dog Pt. 1/4-20 x 3/8 (2)				
	Washers, Flat 3/8 (4)				
	Washers, Flat M5 (4)				

DIMENSIONAL DRAWING

Inches (Millimetres)



PERFORMANCE CURVES



NOTE: Curves show approximate head-flow for new pumps with neoprene impeller pumping water. Capacities should be reduced approximately 10% with nitrile, viton and EPDM impellers. Consult factory for specific performance information.

THE PRODUCTS DESCRIBED HEREIN ARE SUBJECT TO THE JABSCO ONE YEAR LIMITED WARRANTY, WHICH IS AVAILABLE FOR YOUR INSPECTION UPON REQUEST.

www.xylemflowcontrol.com



a xylem brand