

28430 Series Stainless Steel Pedestal Pump

Features

- Self primes from dry up to 5.0 metres
- Flows up to 200 litres per minute
- Pressure up to 4.0 bar
- Handles hard or soft solids - max. 9mm dia
- Tolerates abrasive wear - replacable wearplate
- Non pulsating flow, proportional to speed
- Handles viscosities up to 10,000 centiPoise
- Minimal shear to thixotropic fluids
- Easy to service and maintain



Typical Applications

- Acids and alkalis, compounds, copper sulphate, methyls, alcohols.
- Industrial chemicals, resins, oils, fatty acids, brine.
- Detergents, soaps, hydrogen peroxide.
- Paints, dyes, inks, varnishes, laquers, solvents.
- Transfer, filling, recirculation and agitation, spillage return, spraying, coating, filtration.
- Viscous, shear-sensitive fluids, small hard and soft solids in suspension.

Specifications

Seal : Carbon / Ceramic mechanical face seal
Optional:

- Tungsten Carbide / Ceramic hard faced mechanical seal
- Nitrile Lip seal on shaft sleeve
- Carbon / Ceramic flushed seal
- Tungsten Carbide / Ceramic hard faced flushed seal

Seal Elastomer : Nitrile or Viton

Pump Head : Stainless steel 316, as-cast interior and exterior finish

End Cover : Stainless steel 316 grade

Shaft : Stainless steel 316 grade

Bearings : Greased ball bearings

Bearing Housing : Epoxy coated cast iron

Ports : 1½" BSP internal thread to BS21 (DIN2999)

Weight : 8.7kg

Model Range


| Pressure options | Medium - Max 2.5 bar | | | | High - Max 4.0 bar | | | | |
|-------------------------------------|----------------------|--------------|--------------|--------------|--------------------|--------------|--------------|--------------|--------|
| | Elastomer option | Neoprene | E.P.D.M. | Nitrile | Viton® | Neoprene | E.P.D.M. | Nitrile | Viton® |
| Temperature range | 4°C to 65°C | 0°C to 120°C | -5°C to 90°C | 10°C to 90°C | 4°C to 65°C | 0°C to 120°C | -5°C to 90°C | 10°C to 90°C | |
| Mechanical Seal Options | | | | | | | | | |
| Carbon/Ceramic | 28430-2115 | 28430-2112 | 28430-2113 | 28430-2114 | 28430-2125 | 28430-2122 | 28430-2123 | 28430-2124 | |
| Tungsten Carbide/Ceramic hard faced | 28430-2215 | | | | | | | | |
| Lip seal | 28430-2415 | | | | | | | | |
| Flushed Mechanical Seal | | | | | | | | | |
| Tungsten Carbide/Ceramic hard faced | 28430-2715 | | | | | | | | |
| Carbon/Ceramic | 28430-2915 | | | | | | | | |

For models not listed above, consult distributor or factory


Note : it is not recommended to start the pump at extremes of the temperature range, impeller damage may occur

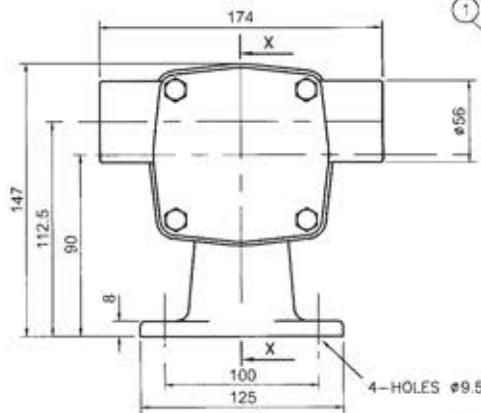
For Installation, Operating, Maintenance and Safety Instructions refer to form 43001-0543

⚠ WARNING Explosion hazard. Do not pump gasoline, solvents, thinners or other flammable liquids. To do so can cause an explosion resulting in injury or death.

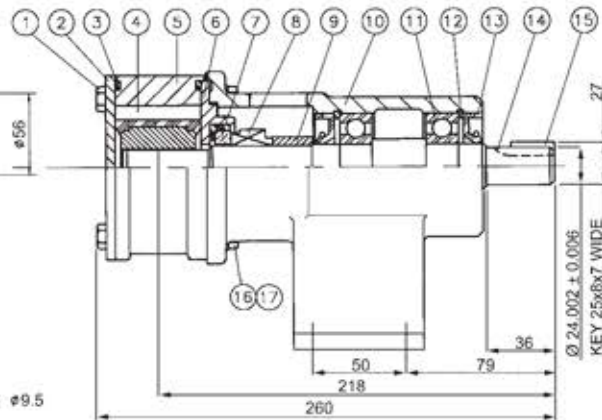


⚠ WARNING Injury hazard. Exposed pulleys and belts can cause injury. Install shield around pulleys and belts. Stay clear while machinery is operating.



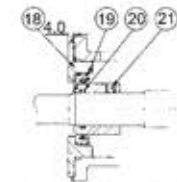


Dimensions in mm

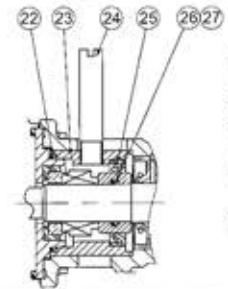


For performance data refer to the 200 size flexible impeller pump performance curves

28430 Series



Lip Seal



Flushed Seal

Parts List

| Key | Description | Qty | Part Number |
|-------|----------------------------|-----|-------------|
| 1 | Screw | 4 | X3001-207F |
| 2 | Endcover | 1 | 28405-0010 |
| 3 | O'Ring * | 2 | See right |
| 4 | Impeller* | 1 | See right |
| 5 | Body | 1 | 28434-2000 |
| 6 | Wearplate | 1 | 28436-0000 |
| 7 / 8 | Seal Assembly * | 1 | See right |
| 9 | Seal Spacer | 1 | 28417-0000 |
| 10 | Bearing Housing | 1 | 28403-0000 |
| 11 | Bearing | 2 | SP2601-28 |
| 12 | Retaining Ring | 2 | SP1701-283 |
| 13 | Lip seal (Bearing Housing) | 2 | SP2701-0911 |
| 14 | Shaft | 1 | 28407-0000 |
| 15 | Key | 1 | X4000-487A |
| 16 | Washer | 4 | X3080-101K |
| 17 | Screw | 4 | X3001-209F |
| 18 | Wearplate | 1 | 28466-0000 |
| 19 | Lip Seal | 1 | SP2701-0915 |
| 20 | O-Ring | 1 | X4020-227A |
| 21 | Seal Spacer | 1 | 28465-0001 |
| 22 | O-Ring | 1 | X4020-261A |
| 23 | Seal Housing | 1 | 28412-0000 |
| 24 | Tube | 2 | 21844 |
| 25 | Seal | 1 | SP2701-0915 |
| 26 | O-Ring | 1 | X4020-227A |
| 27 | Seal Spacer | 1 | 28417-0001 |

Parts marked * Contained in service kit

Spare Parts & Service Kits

| Pressure Rating | | Medium | High |
|-----------------|---------------------|----------------------|-------------|
| 3 | O-Ring | Nitrile X4020-399A | X4020-399A |
| | | Viton X4020-399B | X4020-399B |
| 4 | Impeller | Neoprene 14346-0005B | 8983-0005B |
| | | E.P.D.M. 14346-0002B | 8983-0002B |
| | | Nitrile 14346-0013B | 8983-0023B |
| | | Viton 14346-0014B | 8983-0024B |
| 7 / 8 | Std Mech. Seals | Nitrile 28431-0103B | 28431-0103B |
| | | Viton 28431-0104B | 28431-0104B |
| | Hard Faced | Nitrile 28431-0203B | 28431-0203B |
| | | Viton 28431-0204B | 28431-0204B |
| Service Kit | Neoprene SK378-0115 | SK378-0125 | |
| | Nitrile SK378-0113 | SK378-0123 | |
| | Viton SK378-0114 | | |

Models with Neoprene and E.P.D.M. impellers use Nitrile elastomers on seals and O-rings.

Viton is a registered trademark of DuPont Dow Elastomers.

Other Available Options

Standard head kits, for close coupling to standard IEC motors.

Jabsco

USA

Jabsco
1485 Dale Way
Costa Mesa
CA 92628-2158

Tel : +1 714 545 8251
Fax : +1 714 957 0609

UK

Jabsco
Bingley Road
Hoddesdon
Hertfordshire, EN11 0BU

Tel : +44 (0) 1992 450 145
Fax : +44 (0) 1992 467 132

GERMANY

Jabsco GmbH
Oststraße 28
22844 Norderstedt

Tel : +49 (0) 40 53 53 73 0
Fax : +49 (0) 40 53 53 73 11