



080 Size Stainless Steel FIP Head Kit Pump

11/00

28340 Series Stainless Steel Head Kit Pump

Features

- Self primes from dry up to 5.0 metres
- Flows up to 80 litres per minute
- Pressure up to 2.5 bar†
- Handles hard or soft solids - max. 5mm dia
- Tolerates abrasive wear - replacable wearplate
- Non pulsating flow, proportional to speed
- Handles viscosities up to 4,000 centiPoise
- Minimal shear to thixotropic fluids
- Fits IEC standard motor B3/B14, frame 80



Typical Applications

- Acids and alkalis, compounds, copper sulphate, methyls, alcohols.
- Industrial chemicals, resins, oils, fatty acids, brine.
- Detergents, soaps, hydrogen peroxide.
- Paints, dyes, inks, varnishes, laquers, solvents.
- Transfer, filling, recirculation and agitation, spillage return, spraying, coating, filtration.
- Viscous, shear-sensitive fluids, small hard and soft solids in suspension.

Specifications

Seal : Carbon / Ceramic mechanical face seal

Optional:

- Tungsten Carbide / Ceramic hard faced mechanical seal
- Nitrile Lip seal on shaft sleeve
- Carbon / Ceramic flushed seal
- Tungsten Carbide / Ceramic hard faced flushed seal

Seal Elastomers : Nitrile or Viton

Pump Head : Stainless steel 316, as-cast interior and exterior finish

End Cover : Stainless steel 316 grade

Shafts : Stainless steel 316 grade, shaft extension

Bearings : Uses motor bearings

Motor Adaptor : Epoxy coated cast iron

Ports : 1" BSP internal thread to BS21 (DIN2999)

Weight : 3.3kg

Model Range

Pressure options	Standard - Max 2.5 bar†							
Elastomer option	Neoprene	E.P.D.M.	Nitrile	Viton®				
Temperature range	4°C to 80°C	0°C to 120°C	-5°C to 90°C	10°C to 90°C				
Mechanical Seal Options								
Carbon/Ceramic	28340-2101	28340-2102	28340-2103	28340-2104				
Tungsten Carbide/Ceramic hard faced				28340-2204				
Lip seal	28340-2401							
Flushed Mechanical Seal								
Tungsten Carbide/Ceramic hard faced								
Carbon/Ceramic	28340-2901							

For models not listed above, consult distributor or factory

Note : it is not recommended to start the pump at extremes of the temperature range, impeller damage may occur

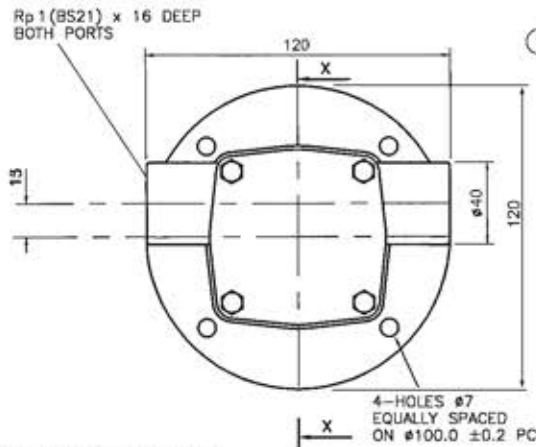
For Installation, Operating, Maintenance and Safety Instructions refer to form 43001-0543

⚠ WARNING Explosion hazard. Do not pump gasoline, solvents, thinners or other flammable liquids. To do so can cause an explosion resulting in injury or death.

† Pressures over 1.7 bar may reduce motor shaft life

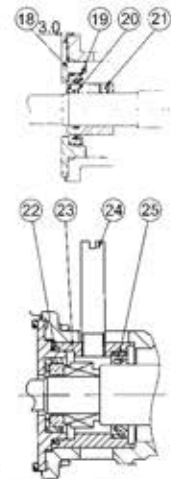
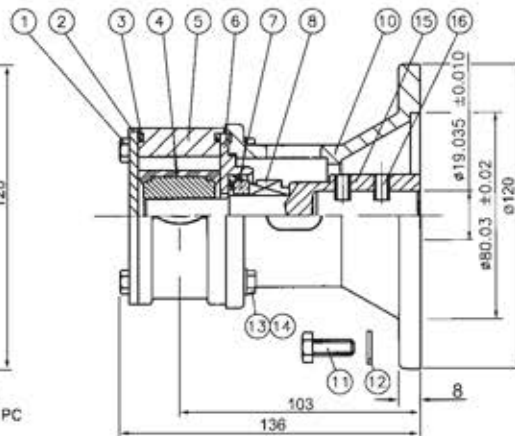
Fits IEC motor with foot & face to IEC B3/B14 frame size 80

28340 Series



Dimensions in mm

For performance data refer to the 080 size flexible impeller pump performance curves



Parts List

Key	Description	Qty	Part Number
1	Screw	4	X3001-176F
2	Endcover	1	28305-0010
3	O'Ring *	2	See right
4	Impeller*	1	See right
5	Body	1	28334-2000
6	Wearplate	1	28336-0000
7 / 8	Seal Assembly *	1	See right
10	Motor Adaptor	1	28323-0000
11	Screw	4	X3001-180F
12	Washer	4	X3080-091K
13	Screw	4	X3001-180F
14	Washer	4	X3080-091K
15	Shaft Extension	1	28327-0001
16	Set Screw	2	X3009-176A
18	Wearplate	1	28366-0000
19	Lip Seal	1	SP2701-0914
20	O-Ring	1	X4020-217A
21	Seal Spacer	1	28365-0001
22	O-Ring	1	X4020-244A
23	Seal Housing	1	28312-0000
24	Tube	2	21844
25	Seal	1	SP2701-0914

Parts marked * Contained in service kit

Spare Parts & Service Kits

3	O-Ring	Nitrile	X4020-269A
		Viton	X4020-269B
4	Impeller	Neoprene	14282-0001B
		E.P.D.M.	8981-0002B
		Nitrile	14282-0003B
		Viton	14282-0004B
7 / 8	Std Mech. Seals	E.P.D.M.	28331-0102B
		Nitrile	28331-0103B
	Hard Faced	Viton	28331-0104B
		Nitrile	28331-0203B
Service Kit		Viton	28331-0204B
		Neoprene	SK377-0101
		Nitrile	SK377-0103
		Viton	SK377-0104

Models with Neoprene impellers use Nitrile elastomers on seals and O-rings.

Viton is a registered trademark of DuPont Dow Elastomers.

Other Available Options

Pedestal pumps, for coupling to motor, gearbox or pulley.

Jabsco

USA

Jabsco
1485 Dale Way
Costa Mesa
CA 92628-2158

Tel : +1 714 545 8251
Fax : +1 714 957 0609

UK

Jabsco
Bingley Road
Hoddesdon
Hertfordshire, EN11 0BU

Tel : +44 (0) 1992 450 145
Fax : +44 (0) 1992 467 132

GERMANY

Jabsco GmbH
Oststraße 28
22844 Norderstedt

Tel : +49 (0) 40 53 53 73 0
Fax : +49 (0) 40 53 53 73 11