



080 Size Stainless Steel FIP Pedestal Pump

11/00

28330 Series Stainless Steel Pedestal Pump

Features

- Self primes from dry up to 5.0 metres
- Flows up to 80 litres per minute
- Pressure up to 4.0 bar
- Handles hard or soft solids - max. 6mm dia
- Tolerates abrasive wear - replacable wearplate
- Non pulsating flow, proportional to speed
- Handles viscosities up to 4,000 centiPoise
- Minimal shear to thixotropic fluids
- Easy to service and maintain



Typical Applications

- Acids and alkalis, compounds, copper sulphate, methyls, alcohols.
- Industrial chemicals, resins, oils, fatty acids, brine.
- Detergents, soaps, hydrogen peroxide.
- Paints, dyes, inks, varnishes, laquers, solvents.
- Transfer, filling, recirculation and agitation, spillage return, spraying, coating, filtration.
- Viscous, shear-sensitive fluids, small hard and soft solids in suspension.

Specifications

Seal : Carbon / Ceramic mechanical face seal

Optional:

- Tungsten Carbide / Ceramic hard faced mechanical seal
- Nitrile Lip seal on shaft sleeve
- Carbon / Ceramic flushed seal
- Tungsten Carbide / Ceramic hard faced flushed seal

Seal Elastomer : Nitrile or Viton

Pump Head : Stainless steel 316, as-cast interior and exterior finish

End Cover : Stainless steel 316 grade

Shaft : Stainless steel 316 grade

Bearings : Greased ball bearings

Bearing Housing : Epoxy coated cast iron

Ports : 1" BSP internal thread to BS21 (DIN2999)

Weight : 4.2kg

Model Range

Pressure options	Standard - Max 2.5 bar				High - Max 4.0 bar			
	Neoprene	E.P.D.M.	Nitrile	Viton®	Neoprene	E.P.D.M.	Nitrile	Viton®
Elastomer option	Neoprene	E.P.D.M.	Nitrile	Viton®	Neoprene	E.P.D.M.	Nitrile	Viton®
Temperature range	4°C to 80°C	0°C to 120°C	-5°C to 90°C	10°C to 90°C	4°C to 80°C	0°C to 120°C	-5°C to 90°C	10°C to 90°C
Mechanical Seal Options								
Carbon/Ceramic	28330-2101	28330-2102	28330-2103	28330-2104	28330-2121	28330-2122	28330-2123	28330-2124
Tungsten Carbide/Ceramic hard faced	28330-2201		28330-2203					
Lip seal	28330-2401							
Flushed Mechanical Seal								
Tungsten Carbide/Ceramic hard faced			28330-2703					
Carbon/Ceramic			28330-2903					

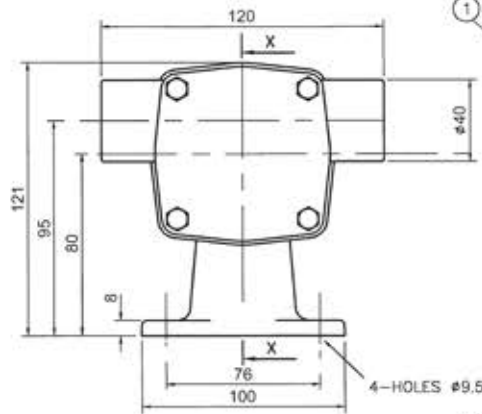
For models not listed above, consult distributor or factory

Note : it is not recommended to start the pump at extremes of the temperature range, impeller damage may occur

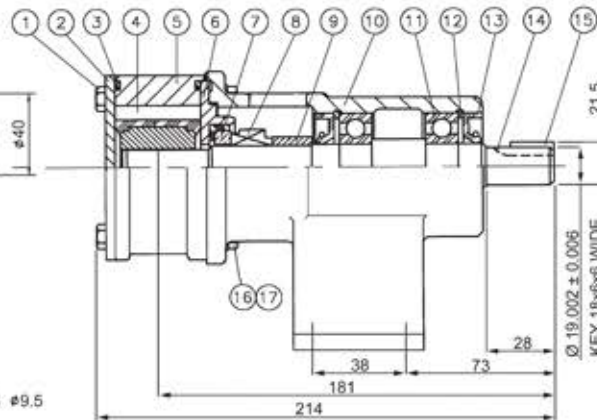
For Installation, Operating, Maintenance and Safety Instructions refer to form 43001-0543

WARNING Explosion hazard. Do not pump gasoline, solvents, thinners or other flammable liquids. To do so can cause an explosion resulting in injury or death.

WARNING Injury hazard. Exposed pulleys and belts can cause injury. Install shield around pulleys and belts. Stay clear while machinery is operating.

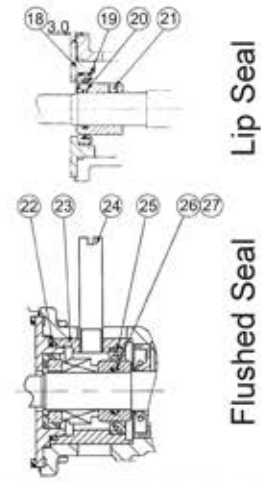


Dimensions in mm



For performance data refer to the 080 size flexible impeller pump performance curves

28330 Series



Parts List

Key	Description	Qty	Part Number
1	Screw	4	X3001-176F
2	Endcover	1	28305-0010
3	O'Ring *	2	See right
4	Impeller*	1	See right
5	Body	1	28334-2000
6	Wearplate	1	28336-0000
7 / 8	Seal Assembly *	1	See right
9	Seal Spacer	1	28317-0000
10	Bearing Housing	1	28303-0000
11	Bearing	2	SP2601-33
12	Retaining Ring	2	SP1701-438
13	Lip seal (Bearing Housing)	2	SP2701-0910
14	Shaft	1	28307-0000
15	Key	1	X4000-130A
16	Washer	4	X3080-091K
17	Screw	4	X3001-180F
18	Wearplate	1	28366-0000
19	Lip Seal	1	SP2701-0914
20	O-Ring	1	X4020-217A
21	Seal Spacer	1	28365-0011
22	O-Ring	1	X4020-244A
23	Seal Housing	1	28312-0000
24	Tube	2	21844
25	Seal	1	SP2701-0914
26	O-Ring	1	X4020-217A
27	Seal Spacer	1	28317-0001

Parts marked * Contained in service kit

Spare Parts & Service Kits

Pressure Rating		Medium	High
3	O-Ring	Nitrile X4020-269A	X4020-269A
		Viton X4020-269B	X4020-269B
4	Impeller	Neoprene 14282-0001B	8840-0021B
		E.P.D.M. 8981-0002B	8840-0002B
		Nitrile 14282-0003B	8840-0023B
		Viton 14282-0004B	8840-0024B
7 / 8	Std Mech.	E.P.D.M. 28331-0102B	28331-0102B
		Nitrile 28331-0103B	28331-0103B
		Viton 28331-0104B	28331-0104B
	Hard Faced	Nitrile 28331-0203B	28331-0203B
		Viton 28331-0204B	28331-0204B
		Neoprene SK377-0101	SK377-0121
Service Kit	Nitrile SK377-0103		
	Viton SK377-0104	SK377-0124	

Models with Neoprene impellers use Nitrile elastomers on seals and O-rings.

Viton is a registered trademark of DuPont Dow Elastomers.

Other Available Options

Standard head kits, for close coupling to standard IEC motors.

Jabsco

USA

Jabsco
1485 Dale Way
Costa Mesa
CA 92628-2158

Tel : +1 714 545 8251
Fax : +1 714 957 0609

UK

Jabsco
Bingley Road
Hoddesdon
Hertfordshire, EN11 0BU

Tel : +44 (0) 1992 450 145
Fax : +44 (0) 1992 467 132

GERMANY

Jabsco GmbH
Oststraße 28
22844 Norderstedt

Tel : +49 (0) 40 53 53 73 0
Fax : +49 (0) 40 53 53 73 11