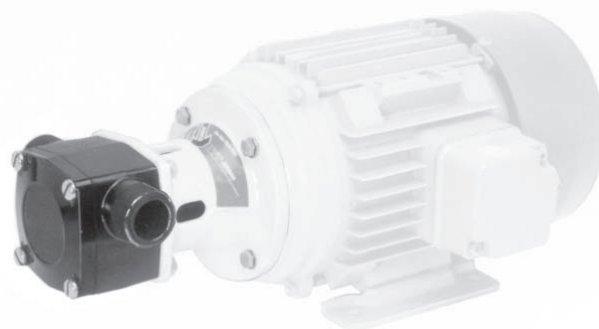


## 28260 Series Epoxy Head Kit Pump

### Features

- Self primes from dry up to 5.0 metres
- Flows up to 70 litres per minute
- Pressure up to 3.0 bar†
- Handles hard or soft solids - max. 5mm dia
- High chemical resistance Epoxy plastic
- Non pulsating flow, proportional to speed
- Handles viscosities up to 10,000 centiPoise
- No metal parts in liquid contact
- Fits IEC standard motor B3/B14, frame 80



### Typical Applications

- High and low pH chemicals including Hydrochloric Acid, 60% Sulphuric Acid.
- Aggressive chemicals e.g. Barium and Ferric Chloride, Carbonic Acid.
- Iodine, Phenol and Xylene.
- Distilled, de-mineralised and de-ionised water.
- Transfer, filling, recirculation and agitation, spillage recovery, coating, filtration.
- Viscous, shear-sensitive fluids, small hard and soft solids in suspension.

### Specifications

**Seal** : Carbon / Ceramic mechanical face seal  
**Optional:**

- Tungsten Carbide / Ceramic hard faced mechanical seal

**Seal Elastomers** : Nitrile

**Pump Head** : Epoxy Thermoset plastic

**End Cover** : Epoxy Thermoset plastic

**Shaft** : Epoxy covered stainless steel shaft extension

**Bearings** : Uses motor bearings

**Motor Adaptor** : Epoxy coated cast iron

**Ports** : 3/4" BSP external thread to BS21 (DIN2999)

**Weight** : 1.7kg

### Model Range


Pressure options	Standard - Max 2.5 bar				High - Max 3.0 bar†				
	Elastomer option	Neoprene	E.P.D.M.	Nitrile	Viton®	Neoprene	E.P.D.M.	Nitrile	Viton®
Temperature range	4°C to 80°C	4°C to 100°C	10°C to 90°C	15°C to 90°C	4°C to 80°C	4°C to 100°C	10°C to 90°C	15°C to 90°C	
Mechanical Seal Options									
Carbon/Ceramic	28260-2101				28260-2104				
Tungsten Carbide/Ceramic hard faced									

For models not listed above, consult distributor or factory

Note : it is not recommended to start the pump at extremes of the temperature range, impeller damage may occur

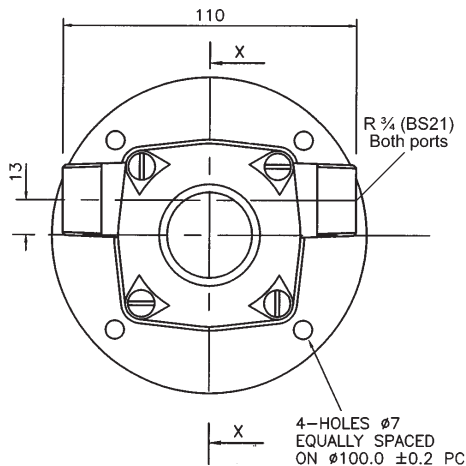
For Installation, Operating, Maintenance and Safety Instructions refer to form 43001-0543

**⚠ WARNING** Explosion hazard. Do not pump gasoline, solvents, thinners or other flammable liquids. To do so can cause an explosion resulting in injury or death.

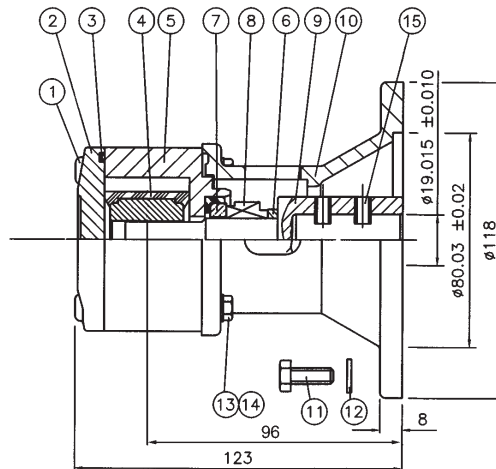


† Pressures over 2.5 bar may reduce motor shaft life

Fits IEC motor with foot & face to IEC B3/B14 frame size 80



### 28260 Series



Dimensions in mm

For performance data refer to the 040 size flexible impeller pump performance curves

### Parts List

Key	Description	Qty	Part Number
1	Screw (Endcover)	4	X3002-153F
2	Endcover	1	28255-0000
3	O'Ring * (Endcover)	1	See right
4	Impeller*	1	See right
5	Body	1	28254-2000
6	Seal Spacer	1	28219-0000
7 / 8	Seal Assembly *	1	See right
9	Shaft Extension	1	28267-0000
10	Motor Adaptor	1	28223-0000
11	Screw (Motor)	4	X3001-180F
12	Washer (Motor)	4	X3080-091K
13	Screw (Body)	4	X3001-153F
14	Washer (Body)	4	X3080-081F
15	Set Screw	2	X3009-176A

Parts marked \* Contained in service kit

### Spare Parts & Service Kits

Pressure Rating		Medium	High	
3	O-Ring	Nitrile	X4020-259A	X4020-259A
		Viton	X4020-259B	X4020-259B
4	Impeller	Neoprene	14281-0001B	8980-0021B
		E.P.D.M.	7614-0002B	8980-0002B
		Nitrile	14281-0003B	8980-0023B
		Viton	14281-0004B	8980-0024B
7 / 8	Std Mech. Seals	Nitrile	28231-0103B	28231-0103B
		Viton	28231-0104B	28231-0104B
	Hard Faced	Nitrile	28231-0203B	28231-0203B
		Viton	28231-0204B	28231-0204B
Service Kit		Neoprene	SK376-0101	SK376-0121
		Nitrile	SK376-0103	
		Viton	SK376-0104	

Models with Neoprene and E.P.D.M. impellers use Nitrile elastomers on seals and O-rings.  
 High Temperature impeller part no. 23470-0065B available separately.  
 Viton is a registered trademark of DuPont Dow Elastomers.

### Other Available Options

Pedestal pumps, for coupling to motor, gearbox or pulley.

**xylem**  
Let's Solve Water

#### USA

**Jabsco**  
20 Icon  
Foothill Ranch  
CA 92610

Tel : +1 949 859 4945  
Fax : +1 949 859 1153

#### UK

**Jabsco**  
Bingley Road  
Hoddesdon  
Hertfordshire, EN11 0BU

Tel : +44 (0) 1992 450 145  
Fax : +44 (0) 1992 467 132

#### GERMANY

**Jabsco GmbH**  
Oststraße 28  
22844 Norderstedt

Tel : +49 (0) 40 53 53 73 0  
Fax : +49 (0) 40 53 53 73 11