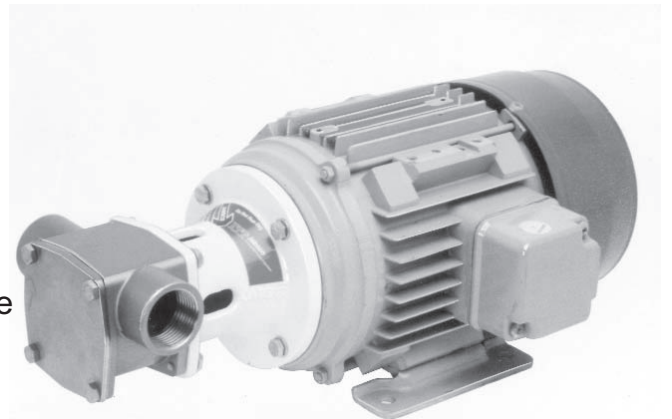


28240 Series Stainless Steel Head Kit Pump

Features

- Self primes from dry up to 5.0 metres
- Flows up to 40 litres per minute
- Pressure up to 3.0 bar†
- Handles hard or soft solids - max. 5mm dia
- Tolerates abrasive wear - replacable wearplate
- Non pulsating flow, proportional to speed
- Handles viscosities up to 4,000 centiPoise
- Minimal shear to thixotropic fluids
- Fits IEC standard motor B3/B14, frame 80



Typical Applications

- Acids and alkalis, compounds, copper sulphate, methyls, alcohols.
- Industrial chemicals, resins, oils, fatty acids, brine.
- Detergents, soaps, hydrogen peroxide.
- Paints, dyes, inks, varnishes, laquers, solvents.
- Transfer, filling, recirculation and agitation, spillage return, spraying, coating, filtration.
- Viscous, shear-sensitive fluids, small hard and soft solids in suspension.

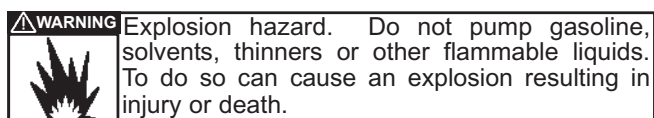
Model Range

Pressure options	Standard - Max 2.5 bar				High - Max 3.0 bar†				
	Elastomer option	Neoprene	E.P.D.M.	Nitrile	Viton®	Neoprene	E.P.D.M.	Nitrile	Viton®
Temperature range	4°C to 80°C	4°C to 100°C	10°C to 90°C	15°C to 90°C	4°C to 80°C	4°C to 100°C	10°C to 90°C	15°C to 90°C	
Mechanical Seal Options									
Carbon/Ceramic	28240-2101	28240-2102	28230-2103	28240-2104	28240-2121	28240-2122	28240-2123	28240-2124	
Tungsten Carbide/Ceramic hard faced	28240-2201								
Lip seal			28240-2403						
Flushed Mechanical Seal									
Tungsten Carbide/Ceramic hard faced			28240-2703						
Carbon/Ceramic			28240-2903						

For models not listed above, consult distributor or factory

Note : it is not recommended to start the pump at extremes of the temperature range, impeller damage may occur

For Installation, Operating, Maintenance and Safety Instructions refer to form 43001-0543



Specifications

Seal : Carbon / Ceramic mechanical face seal
Optional:

- Tungsten Carbide / Ceramic hard faced mechanical seal
- Nitrile Lip seal on shaft sleeve
- Carbon / Ceramic flushed seal
- Tungsten Carbide / Ceramic hard faced flushed seal

Seal Elastomers : Nitrile or Viton

Pump Head : Stainless steel 316, as-cast interior and exterior finish

End Cover : Stainless steel 316 grade

Shafts : Stainless steel 316 grade, shaft extension

Bearings : Uses motor bearings

Motor Adaptor : Epoxy coated cast iron

Ports : 3/4" BSP internal thread to BS21 (DIN2999)

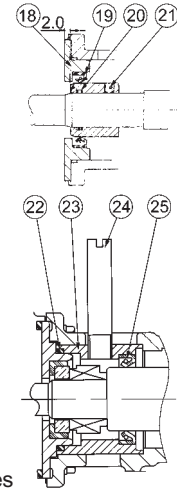
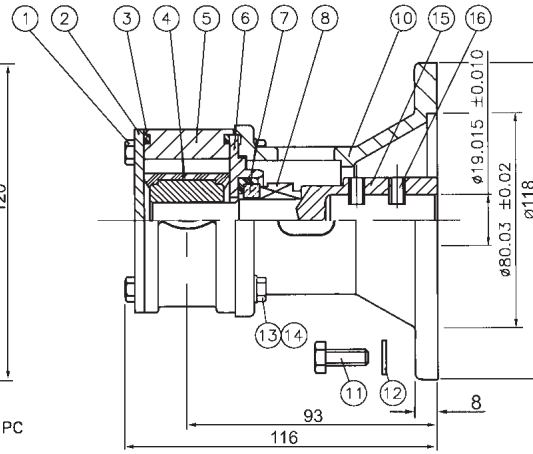
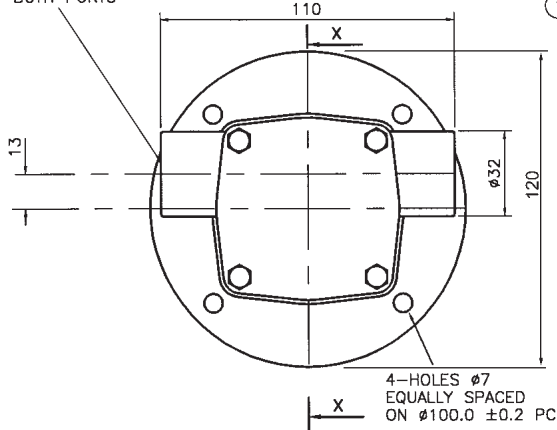
Weight : 2.6kg

† Pressures over 2.5 bar may reduce motor shaft life

Fits IEC motor with foot & face to IEC B3/B14 frame size 80

28240 Series

Rp 3/4 (BS21) x 16 DEEP
BOTH PORTS



Lip Seal
Flushed Seal

Dimensions in mm

For performance data refer to the 040 size flexible impeller pump performance curves

Parts List

Key	Description	Qty	Part Number
1	Screw	4	X3001-147F
2	Endcover	1	28205-0010
3	O'Ring *	2	See right
4	Impeller*	1	See right
5	Body	1	28234-2000
6	Wearplate	1	28236-0000
7 / 8	Seal Assembly *	1	See right
10	Motor Adaptor	1	28223-0000
11	Screw	4	X3001-180F
12	Washer	4	X3080-091K
13	Screw	4	X3001-153F
14	Washer	4	X3080-081F
15	Shaft Extension	1	28227-0001
16	Set Screw	2	X3009-176A
18	Wearplate	1	28266-0000
19	Lip Seal	1	SP2701-0913
20	O-Ring	1	X4020-215A
21	Seal Spacer	1	28265-0011
22	O-Ring	1	X4020-237A
23	Seal Housing	1	28212-0000
24	Tube	2	21844
25	Seal	1	SP2701-0913

Parts marked * Contained in service kit

Spare Parts & Service Kits

Pressure Rating		Medium	High	
3	O-Ring	Nitrile	X4020-259A	X4020-259A
		Viton	X4020-259B	X4020-259B
4	Impeller	Neoprene	14281-0001B	8980-0021B
		E.P.D.M.	7614-0002B	8980-0002B
		Nitrile	14281-0003B	8980-0023B
		Viton	14281-0004B	8980-0024B
7 / 8	Std Mech. Seals	Nitrile	28231-0103B	28231-0103B
		Viton	28231-0104B	28231-0104B
	Hard Faced	Nitrile	28231-0203B	28231-0203B
		Viton	28231-0204B	28231-0204B
Service Kit		Neoprene	SK376-0101	SK376-0121
		Nitrile	SK376-0103	
		Viton	SK376-0104	

Models with Neoprene and E.P.D.M. impellers use Nitrile elastomers on seals and O-rings.

High Temperature impeller part no. 23470-0065B available separately.

Viton is a registered trademark of DuPont Dow Elastomers.

Other Available Options

Pedestal pumps, for coupling to motor, gearbox or pulley.

xylem

Let's Solve Water

USA

Jabsco
20 Icon
Foothill Ranch
CA 92610

Tel : +1 949 859 4945
Fax : +1 949 859 1153

UK

Jabsco
Bingley Road
Hoddesdon
Hertfordshire, EN11 0BU

Tel : +44 (0) 1992 450 145
Fax : +44 (0) 1992 467 132

GERMANY

Jabsco GmbH
Oststraße 28
22844 Norderstedt

Tel : +49 (0) 40 53 53 73 0
Fax : +49 (0) 40 53 53 73 11