

## 28230 Series Stainless Steel Pedestal Pump

### Features

- Self primes from dry up to 5.0 metres
- Flows up to 40 litres per minute
- Pressure up to 3.0 bar
- Handles hard or soft solids - max. 5mm dia
- Tolerates abrasive wear - replacable wearplate
- Non pulsating flow, proportional to speed
- Handles viscosities up to 4,000 centiPoise
- Minimal shear to thixotropic fluids
- Easy to service and maintain



### Typical Applications

- Acids and alkalis, compounds, copper sulphate, methyls, alcohols.
- Industrial chemicals, resins, oils, fatty acids, brine.
- Detergents, soaps, hydrogen peroxide.
- Paints, dyes, inks, varnishes, laquers, solvents.
- Transfer, filling, recirculation and agitation, spillage return, spraying, coating, filtration.
- Viscous, shear-sensitive fluids, small hard and soft solids in suspension.

### Specifications

**Seal** : Carbon / Ceramic mechanical face seal

**Optional:**

- Tungsten Carbide / Ceramic hard faced mechanical seal
- Nitrile Lip seal on shaft sleeve
- Carbon / Ceramic flushed seal
- Tungsten Carbide / Ceramic hard faced flushed seal

**Seal Elastomer** : Nitrile or Viton

**Pump Head** : Stainless steel 316, as-cast interior and exterior finish

**End Cover** : Stainless steel 316 grade

**Shaft** : Stainless steel 316 grade

**Bearings** : Greased ball bearings

**Bearing Housing** : Epoxy coated cast iron

**Ports** : 3/4" BSP internal thread to BS21 (DIN2999)

**Weight** : 2.8kg

### Model Range


| Pressure options                    | Standard - Max 2.5 bar |              |              |              | High - Max 3.0 bar |              |              |              |
|-------------------------------------|------------------------|--------------|--------------|--------------|--------------------|--------------|--------------|--------------|
|                                     | Neoprene               | E.P.D.M.     | Nitrile      | Viton®       | Neoprene           | E.P.D.M.     | Nitrile      | Viton®       |
| <b>Elastomer option</b>             | Neoprene               | E.P.D.M.     | Nitrile      | Viton®       | Neoprene           | E.P.D.M.     | Nitrile      | Viton®       |
| <b>Temperature range</b>            | 4°C to 80°C            | 0°C to 120°C | -5°C to 90°C | 10°C to 90°C | 4°C to 80°C        | 0°C to 120°C | -5°C to 90°C | 10°C to 90°C |
| <b>Mechanical Seal Options</b>      |                        |              |              |              |                    |              |              |              |
| Carbon/Ceramic                      | 28230-2101             | 28230-2102   | 28230-2103   | 28230-2104   | 28230-2121         | 28230-2122   | 28230-2123   | 28230-2124   |
| Tungsten Carbide/Ceramic hard faced |                        |              | 28230-2203   |              |                    |              | 28230-2223   |              |
| <b>Lip seal</b>                     | 28230-2401             |              |              |              | 28230-2421         |              |              |              |
| <b>Flushed Mechanical Seal</b>      |                        |              |              |              |                    |              |              |              |
| Tungsten Carbide/Ceramic hard faced |                        |              | 28230-2703   |              |                    |              | 28230-2723   |              |
| Carbon/Ceramic                      |                        |              | 28230-2903   |              |                    |              | 28230-2923   |              |

For models not listed above, consult distributor or factory


Note : it is not recommended to start the pump at extremes of the temperature range, impeller damage may occur

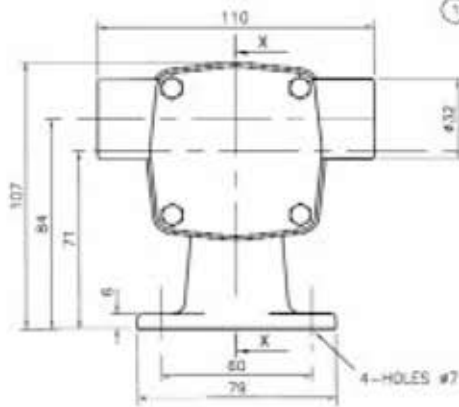
For Installation, Operating, Maintenance and Safety Instructions refer to form 43001-0543

**⚠ WARNING** Explosion hazard. Do not pump gasoline, solvents, thinners or other flammable liquids. To do so can cause an explosion resulting in injury or death.

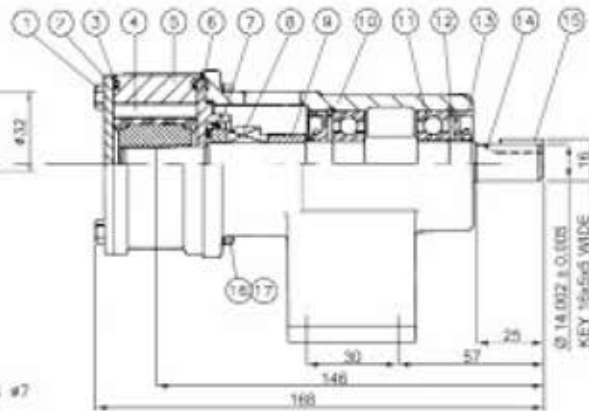


**⚠ WARNING** Injury hazard. Exposed pulleys and belts can cause injury. Install shield around pulleys and belts. Stay clear while machinery is operating.



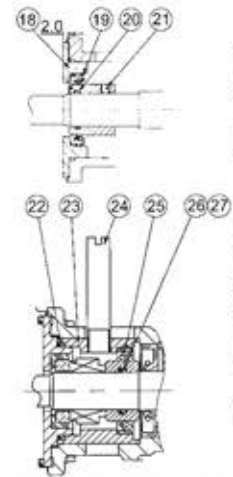


Dimensions in mm



For performance data refer to the 040 size flexible impeller pump performance curves

### 28230 Series



### Parts List

| Key   | Description                | Qty | Part Number |
|-------|----------------------------|-----|-------------|
| 1     | Screw                      | 4   | X3001-147F  |
| 2     | Endcover                   | 1   | 28205-0010  |
| 3     | O'Ring *                   | 2   | See right   |
| 4     | Impeller*                  | 1   | See right   |
| 5     | Body                       | 1   | 28234-2000  |
| 6     | Wearplate                  | 1   | 28236-0000  |
| 7 / 8 | Seal Assembly *            | 1   | See right   |
| 9     | Seal Spacer                | 1   | 28217-0000  |
| 10    | Bearing Housing            | 1   | 28203-0000  |
| 11    | Bearing                    | 2   | SP2600-01   |
| 12    | Retaining Ring             | 2   | SP1701-4435 |
| 13    | Lip seal (Bearing Housing) | 2   | SP2700-39   |
| 14    | Shaft                      | 1   | 28207-0000  |
| 15    | Key                        | 1   | X4000-109A  |
| 16    | Washer                     | 4   | X3080-081F  |
| 17    | Screw                      | 4   | X3001-153F  |
| 18    | Wearplate                  | 1   | 28266-0000  |
| 19    | Lip Seal                   | 1   | SP2701-0913 |
| 20    | O-Ring                     | 1   | X4020-215A  |
| 21    | Seal Spacer                | 1   | 28265-0001  |
| 22    | O-Ring                     | 1   | X4020-237A  |
| 23    | Seal Housing               | 1   | 28212-0000  |
| 24    | Tube                       | 2   | 21844       |
| 25    | Seal                       | 1   | SP2701-0913 |
| 26    | O-Ring                     | 1   | X4020-215A  |
| 27    | Seal Spacer                | 1   | 28217-0001  |

Parts marked \* Contained in service kit

### Spare Parts & Service Kits

| Pressure Rating |                 | Medium   | High        |             |
|-----------------|-----------------|----------|-------------|-------------|
| 3               | O-Ring          | Nitrile  | X4020-259A  | X4020-259A  |
|                 |                 | Viton    | X4020-259B  | X4020-259B  |
| 4               | Impeller        | Neoprene | 14281-0001B | 8980-0021B  |
|                 |                 | E.P.D.M. | 7614-0002B  | 8980-0002B  |
|                 |                 | Nitrile  | 14281-0003B | 8980-0023B  |
|                 |                 | Viton    | 14281-0004B | 8980-0024B  |
| 7 / 8           | Std Mech. Seals | Nitrile  | 28231-0103B | 28231-0103B |
|                 |                 | Viton    | 28231-0104B | 28231-0104B |
|                 | Hard Faced      | Nitrile  | 28231-0203B | 28231-0203B |
|                 |                 | Viton    | 28231-0204B | 28231-0204B |
| Service Kit     |                 | Neoprene | SK376-0101  | SK376-0121  |
|                 |                 | Nitrile  | SK376-0103  |             |
|                 |                 | Viton    | SK376-0104  |             |

Models with Neoprene and E.P.D.M. impellers use Nitrile elastomers on seals and O-rings.

High Temperature impeller part no. 23470-0065B available separately.

Viton is a registered trademark of DuPont Dow Elastomers.

### Other Available Options

Standard head kits, for close coupling to standard IEC motors.

## Jabsco

### USA

**Jabsco**  
1485 Dale Way  
Costa Mesa  
CA 92628-2158

Tel : +1 714 545 8251  
Fax : +1 714 957 0609

### UK

**Jabsco**  
Bingley Road  
Hoddesdon  
Hertfordshire, EN11 0BU

Tel : +44 (0) 1992 450 145  
Fax : +44 (0) 1992 467 132

### GERMANY

**Jabsco GmbH**  
Oststraße 28  
22844 Norderstedt

Tel : +49 (0) 40 53 53 73 0  
Fax : +49 (0) 40 53 53 73 11