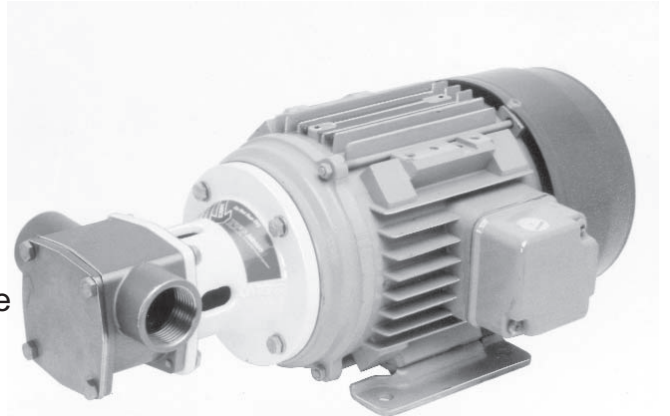


28240 Series Stainless Steel Head Kit Pump

Features

- Self primes from dry up to 5.0 metres
- Flows up to 40 litres per minute
- Pressure up to 3.0 bar†
- Handles hard or soft solids - max. 5mm dia
- Tolerates abrasive wear - replacable wearplate
- Non pulsating flow, proportional to speed
- Handles viscosities up to 4,000 centiPoise
- Minimal shear to thixotropic fluids
- Fits IEC standard motor B3/B14, frame 80



Typical Applications

- Acids and alkalis, compounds, copper sulphate, methyls, alcohols.
- Industrial chemicals, resins, oils, fatty acids, brine.
- Detergents, soaps, hydrogen peroxide.
- Paints, dyes, inks, varnishes, laquers, solvents.
- Transfer, filling, recirculation and agitation, spillage return, spraying, coating, filtration.
- Viscous, shear-sensitive fluids, small hard and soft solids in suspension.


Model Range

Pressure options	Standard - Max 2.5 bar				High - Max 3.0 bar†				
	Elastomer option	Neoprene	E.P.D.M.	Nitrile	Viton®	Neoprene	E.P.D.M.	Nitrile	Viton®
Temperature range	4°C to 80°C	4°C to 100°C	10°C to 90°C	15°C to 90°C	4°C to 80°C	4°C to 100°C	10°C to 90°C	15°C to 90°C	
Mechanical Seal Options									
Carbon/Ceramic	28240-2101	28240-2102	28230-2103	28240-2104	28240-2121	28240-2122	28240-2123	28240-2124	
Tungsten Carbide/Ceramic hard faced	28240-2201								
Lip seal			28240-2403						
Flushed Mechanical Seal									
Tungsten Carbide/Ceramic hard faced			28240-2703						
Carbon/Ceramic			28240-2903						

For models not listed above, consult distributor or factory

Note : it is not recommended to start the pump at extremes of the temperature range, impeller damage may occur

For Installation, Operating, Maintenance and Safety Instructions refer to form 43001-0543



WARNING Explosion hazard. Do not pump gasoline, solvents, thinners or other flammable liquids. To do so can cause an explosion resulting in injury or death.

Specifications

Seal : Carbon / Ceramic mechanical face seal
Optional:

- Tungsten Carbide / Ceramic hard faced mechanical seal
- Nitrile Lip seal on shaft sleeve
- Carbon / Ceramic flushed seal
- Tungsten Carbide / Ceramic hard faced flushed seal

Seal Elastomers : Nitrile or Viton

Pump Head : Stainless steel 316, as-cast interior and exterior finish

End Cover : Stainless steel 316 grade

Shafts : Stainless steel 316 grade, shaft extension

Bearings : Uses motor bearings

Motor Adaptor : Epoxy coated cast iron

Ports : 3/4" BSP internal thread to BS21 (DIN2999)

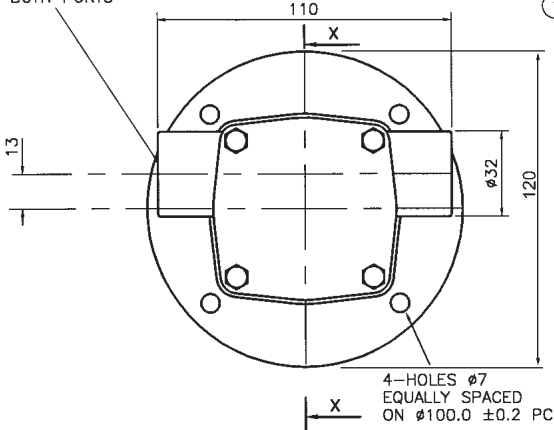
Weight : 2.6kg

† Pressures over 2.5 bar may reduce motor shaft life

Fits IEC motor with foot & face to IEC B3/B14 frame size 80

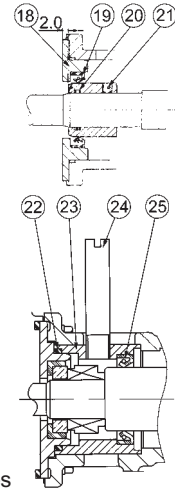
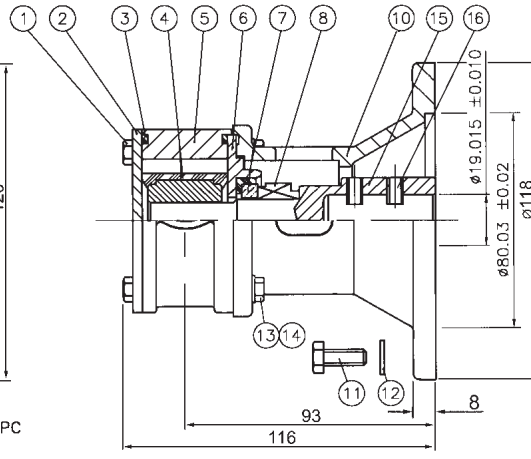
28240 Series

Rp 3/4 (BS21) x 16 DEEP
BOTH PORTS



Dimensions in mm

For performance data refer to the 040 size flexible impeller pump performance curves



Lip Seal

Flushed Seal

Parts List

Key	Description	Qty	Part Number
1	Screw	4	X3001-147F
2	Endcover	1	28205-0010
3	O'Ring *	2	See right
4	Impeller*	1	See right
5	Body	1	28234-2000
6	Wearplate	1	28236-0000
7 / 8	Seal Assembly *	1	See right
10	Motor Adaptor	1	28223-0000
11	Screw	4	X3001-180F
12	Washer	4	X3080-091K
13	Screw	4	X3001-153F
14	Washer	4	X3080-081F
15	Shaft Extension	1	28227-0001
16	Set Screw	2	X3009-176A
18	Wearplate	1	28266-0000
19	Lip Seal	1	SP2701-0913
20	O-Ring	1	X4020-215A
21	Seal Spacer	1	28265-0011
22	O-Ring	1	X4020-237A
23	Seal Housing	1	28212-0000
24	Tube	2	21844
25	Seal	1	SP2701-0913

Parts marked * Contained in service kit

Spare Parts & Service Kits

Pressure Rating			Medium	High
3	O-Ring	Nitrile	X4020-259A	X4020-259A
		Viton	X4020-259B	X4020-259B
4	Impeller	Neoprene	14281-0001B	8980-0021B
		E.P.D.M.	7614-0002B	8980-0002B
		Nitrile	14281-0003B	8980-0023B
		Viton	14281-0004B	8980-0024B
7 / 8	Std Mech. Seals	Nitrile	28231-0103B	28231-0103B
		Viton	28231-0104B	28231-0104B
	Hard Faced	Nitrile	28231-0203B	28231-0203B
		Viton	28231-0204B	28231-0204B
Service Kit		Neoprene	SK376-0101	SK376-0121
		Nitrile	SK376-0103	
		Viton	SK376-0104	

Models with Neoprene and E.P.D.M. impellers use Nitrile elastomers on seals and O-rings.

High Temperature impeller part no. 23470-0065B available separately.

Viton is a registered trademark of DuPont Dow Elastomers.

Other Available Options

Pedestal pumps, for coupling to motor, gearbox or pulley.

USA

Jabsco
20 Icon
Foothill Ranch
CA 92610

Tel : +1 949 859 4945
Fax : +1 949 859 1153

UK

Jabsco
Bingley Road
Hoddesdon
Hertfordshire, EN11 0BU

Tel : +44 (0) 1992 450 145
Fax : +44 (0) 1992 467 132

GERMANY

Jabsco GmbH
Oststraße 28
22844 Norderstedt

Tel : +49 (0) 40 53 53 73 0
Fax : +49 (0) 40 53 53 73 11