

28230 Series

Stainless Steel Pedestal Pump

Features

- Self primes from dry up to 5.0 metres
- Flows up to 40 litres per minute
- Pressure up to 3.0 bar
- Handles hard or soft solids - max. 5mm dia
- Tolerates abrasive wear - replacable wearplate
- Non pulsating flow, proportional to speed
- Handles viscosities up to 4,000 centiPoise
- Minimal shear to thixotropic fluids
- Easy to service and maintain



Typical Applications

- Acids and alkalis, compounds, copper sulphate, methyls, alcohols.
- Industrial chemicals, resins, oils, fatty acids, brine.
- Detergents, soaps, hydrogen peroxide.
- Paints, dyes, inks, varnishes, laquers, solvents.
- Transfer, filling, recirculation and agitation, spillage return, spraying, coating, filtration.
- Viscous, shear-sensitive fluids, small hard and soft solids in suspension.

Specifications

Seal : Carbon / Ceramic mechanical face seal

Optional:

- Tungsten Carbide / Ceramic hard faced mechanical seal
- Nitrile Lip seal on shaft sleeve
- Carbon / Ceramic flushed seal
- Tungsten Carbide / Ceramic hard faced flushed seal

Seal Elastomer : Nitrile or Viton

Pump Head : Stainless steel 316, as-cast interior and exterior finish

End Cover : Stainless steel 316 grade

Shaft : Stainless steel 316 grade

Bearings : Greased ball bearings

Bearing Housing : Epoxy coated cast iron

Ports : 3/4" BSP internal thread to BS21 (DIN2999)

Weight : 2.8kg

Model Range

Pressure options	Standard - Max 2.5 bar				High - Max 3.0 bar				
	Elastomer option	Neoprene	E.P.D.M.	Nitrile	Viton®	Neoprene	E.P.D.M.	Nitrile	Viton®
Temperature range	4°C to 80°C	0°C to 120°C	-5°C to 90°C	10°C to 90°C	4°C to 80°C	0°C to 120°C	-5°C to 90°C	10°C to 90°C	
Mechanical Seal Options									
Carbon/Ceramic	28230-2101	28230-2102	28230-2103	28230-2104	28230-2121	28230-2122	28230-2123	28230-2124	
Tungsten Carbide/Ceramic hard faced			28230-2203				28230-2223		
Lip seal	28230-2401				28230-2421				
Flushed Mechanical Seal									
Tungsten Carbide/Ceramic hard faced			28230-2703				28230-2723		
Carbon/Ceramic			28230-2903				28230-2923		

For models not listed above, consult distributor or factory

Note : it is not recommended to start the pump at extremes of the temperature range, impeller damage may occur

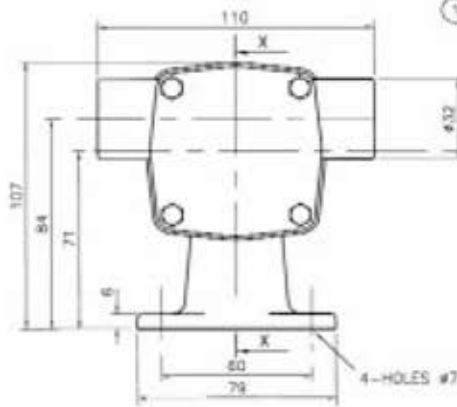
For Installation, Operating, Maintenance and Safety Instructions refer to form 43001-0543



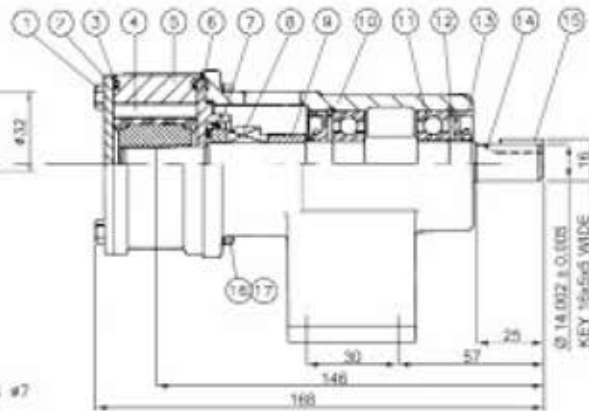
WARNING Explosion hazard. Do not pump gasoline, solvents, thinners or other flammable liquids. To do so can cause an explosion resulting in injury or death.



WARNING Injury hazard. Exposed pulleys and belts can cause injury. Install shield around pulleys and belts. Stay clear while machinery is operating.

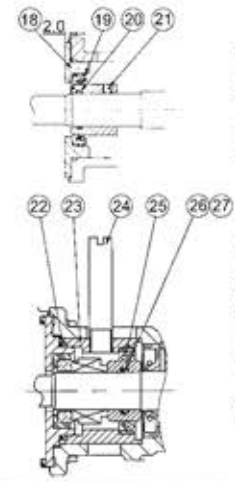


Dimensions in mm



For performance data refer to the 040 size flexible impeller pump performance curves

28230 Series



Parts List

Key	Description	Qty	Part Number
1	Screw	4	X3001-147F
2	Endcover	1	28205-0010
3	O'Ring *	2	See right
4	Impeller*	1	See right
5	Body	1	28234-2000
6	Wearplate	1	28236-0000
7 / 8	Seal Assembly *	1	See right
9	Seal Spacer	1	28217-0000
10	Bearing Housing	1	28203-0000
11	Bearing	2	SP2600-01
12	Retaining Ring	2	SP1701-4435
13	Lip seal (Bearing Housing)	2	SP2700-39
14	Shaft	1	28207-0000
15	Key	1	X4000-109A
16	Washer	4	X3080-081F
17	Screw	4	X3001-153F
18	Wearplate	1	28266-0000
19	Lip Seal	1	SP2701-0913
20	O-Ring	1	X4020-215A
21	Seal Spacer	1	28265-0001
22	O-Ring	1	X4020-237A
23	Seal Housing	1	28212-0000
24	Tube	2	21844
25	Seal	1	SP2701-0913
26	O-Ring	1	X4020-215A
27	Seal Spacer	1	28217-0001

Parts marked * Contained in service kit

Spare Parts & Service Kits

Pressure Rating		Medium	High	
3	O-Ring	Nitrile	X4020-259A	X4020-259A
		Viton	X4020-259B	X4020-259B
4	Impeller	Neoprene	14281-0001B	8980-0021B
		E.P.D.M.	7614-0002B	8980-0002B
		Nitrile	14281-0003B	8980-0023B
		Viton	14281-0004B	8980-0024B
7 / 8	Std Mech. Seals	Nitrile	28231-0103B	28231-0103B
		Viton	28231-0104B	28231-0104B
	Hard Faced	Nitrile	28231-0203B	28231-0203B
		Viton	28231-0204B	28231-0204B
Service Kit		Neoprene	SK376-0101	SK376-0121
		Nitrile	SK376-0103	
		Viton	SK376-0104	

Models with Neoprene and E.P.D.M. impellers use Nitrile elastomers on seals and O-rings.

High Temperature impeller part no. 23470-0065B available separately.

Viton is a registered trademark of DuPont Dow Elastomers.

Other Available Options

Standard head kits, for close coupling to standard IEC motors.

Jabsco

USA

Jabsco
1485 Dale Way
Costa Mesa
CA 92628-2158

Tel : +1 714 545 8251
Fax : +1 714 957 0609

UK

Jabsco
Bingley Road
Hoddesdon
Hertfordshire, EN11 0BU

Tel : +44 (0) 1992 450 145
Fax : +44 (0) 1992 467 132

GERMANY

Jabsco GmbH
Oststraße 28
22844 Norderstedt

Tel : +49 (0) 40 53 53 73 0
Fax : +49 (0) 40 53 53 73 11