



a xylem brand

**SECONDARY
REMOTE CONTROL KITS
5", 7" & 8" CHROME SEARCHLIGHTS
146 SL and 255 SL SEARCHLIGHTS
43670-0004 (12 Volt) or 18753-0335
(24 Volt)**

INSTALLATION INSTRUCTIONS

- 1) Mount searchlight and control per product data sheet.
- 2) Mount station selector panel near the primary control. (Flybridge or lower)
- 3) Cut a 2" x 1-3/8" opening for the station selector panel within a 1 foot radius of the control.
- 4) Route secondary control cable from station selector panel to secondary control location. (Cable acquired separately)
- 5) Insert station selector panel thru mounting hole and attach connectors to mating connectors from controls and searchlight. The connector marked "flybridge" to go to the flybridge control and the connector marked "lower" to go to the lower control. The connector to the nearest control can be plugged directly into the control. See diagram on reverse side.
- 6) Use bedding compound or sealant to waterproof station selector panel mounting.
- 7) Secure panel with self tapping screws provided.
- 8) Mount secondary control per instructions.

**SECONDARY
CONTROL MOUNTING
43670-0004 (12 Volt) or
18753-0335 (24 Volt)**

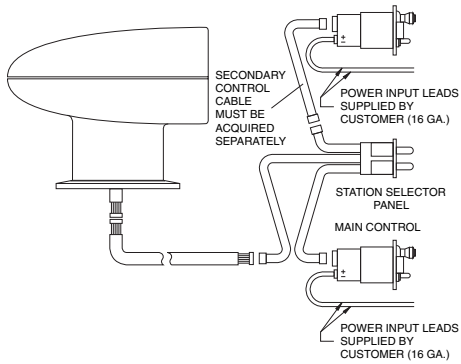
Mount secondary control in same manner as main control. Mount station selector panel near the main control (flybridge or lower).

- 1) Cut a 2" x 1-3/8" (51mm x 35mm) opening for station selector panel within a 1 foot radius of the control.
- 2) Route secondary control cable from station selector panel to secondary control location (cable acquired separately – see cable listing).
- 3) Insert station selector panel thru mounting hole and attach connectors to mating connectors from control and searchlight. The connector marked "flybridge" to go to the flybridge control and the connector marked "lower" to go to the lower control. The connector to the nearest control can be plugged directly into the control. See diagram on reverse side.
- 4) Use bedding compound or sealant to waterproof station selector panel mounting.
- 5) Secure panel with self-tapping screws provided.

Models 18753-0335, 43670-0004

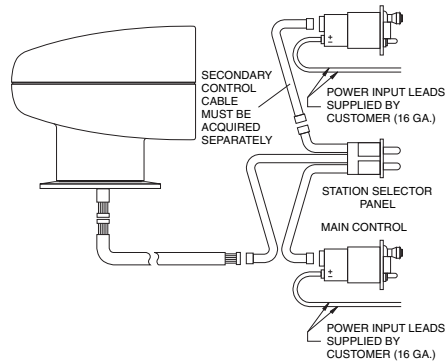
Wiring Diagrams on reverse side.

255 SL
SECONDARY CONTROL

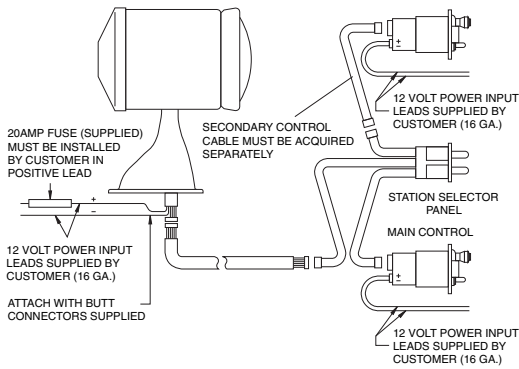


kit no. 43670-0004 12V or 18753-0335 24V

146 SL

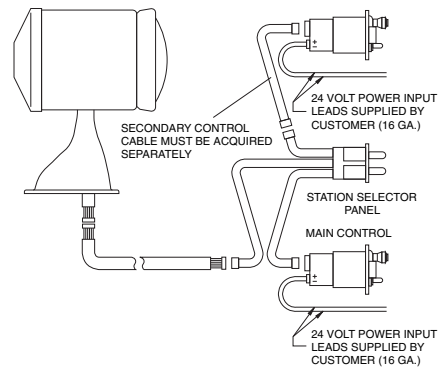


8" Model 12 Volt
SECONDARY CONTROL

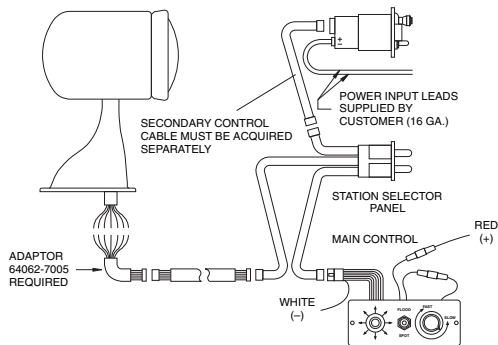


kit no. 43670-0004

8" Model 24 Volt

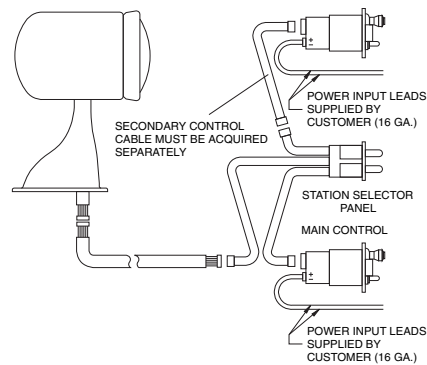


CHROME 5" -3002 Models
SECONDARY CONTROL



kit no. 43670-0004 12V

CHROME 5" AND 7" Models



THE PRODUCTS DESCRIBED HEREIN ARE SUBJECT TO THE JABSCO ONE YEAR LIMITED WARRANTY, WHICH IS AVAILABLE FOR YOUR INSPECTION UPON REQUEST.

www.xylemflowcontrol.com

Jabco, 100 Cummings Center, Ste. 535-N, Beverly, MA 01915
Tel: +1 978 281 0440 Fax: +1 978 283 2619

Jabco, Bingley Road, Hoddesdon, Hertfordshire, EN11 0BU
Tel: +44 (0) 1992 450 145 Fax: +44 (0) 1992 467 132

NHK Jabco Co Ltd, 3-21-10, Shin - Yokohama Kohoku-ku, Yokohama 222
Tel: +81 (0) 45 475 8906 Fax: +81 (0) 45 475 8908

Jabco GmbH, Oststraße 28, 22844 Norderstedt
Tel: +49 (0) 40 53 53 73 0 Fax: +49 (0) 49 53 53 73 11

Jabco Italia, s.r.l., Via Tommaseo, 6, 20059 Vimercate, Milano
Tel: +39 039 685 2323 Fax: +39 039 666 307

USA

UK

JAPAN

GERMANY

ITALY



a xylem brand