



Model 18510-000X

Model 18510-000X

“CENTRI PUPPY”

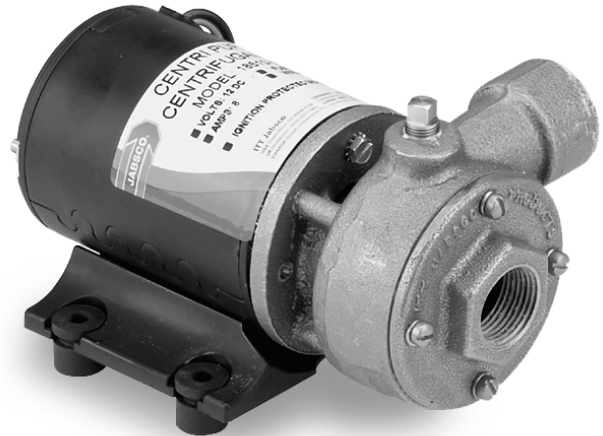
Bronze Centrifugal DC Motor/Pump Unit With Lip Seal

FEATURES

Body & Impellor	Bronze
Seal	Lip type, Viton®
Port Size	3/4" NPT Internal
Motor	Permanent Magnet, Fully Enclosed Ignition Protected
Shaft	Stainless Steel
Weight	5 lb, (2,3 kg) approx.

Motor meets USCG Electrical Standards (Title 33, Chapter I, Part 183; Subpart I) for IGNITION PROTECTION on gasoline powered vessels.

Viton is a registered trademark of I.E. DuPont Co.



	<p>WARNING Explosion hazard. Do not pump gasoline, solvents, thinners or other flammable liquids. To do so can cause an explosion resulting in injury or death.</p>
--	--

	<p>WARNING Explosion hazard. Do not operate with rivets removed from motor case. Explosion resulting in personal injury, death or property damage can occur. Case openings must be sealed to avoid explosion and maintain ignition protected rating.</p>
--	---

APPLICATION

Suited for many general pumping applications where a flooded intake condition exists. This pump is NOT SELF_PRIMING. Typical uses include livewell filling and circulation, deisel fuel transfer (NOT GASOLINE), and other applications not requiring a self-priming pump.

VARIATION AVAILABLE

Model	Description
18510-0000	12Vdc
18510-0001	24Vdc

PERFORMANCE (Nominal 12 Vdc System)

Amps	Ft. of Water	GPM
8	2	20
6.7	6	14.5
5.4	10	7.5
4.5	12.5	Shutoff

INSTALLATION

The pump must be mounted in a dry location – the motor is not waterproof and must not be submerged. The unit can be mounted in any desired position. It is best to mount so that water dripping from loose port connections will not wet the motor. The pump head may be mounted vertically on a thru-hull and seacock for applications requiring overboard water to be pumped aboard. A seacock must be used between the hull inlet fitting and pump on below-waterline installations.

⚠ WARNING

Explosion hazard. If pump is operated in an area containing flammable vapors, wire leads must be joined by insulated mechanical locking connectors. Loose or inadequate wire connections can spark resulting in an explosion. Property damage, injury or death can occur.

ELECTRICAL CONNECTIONS

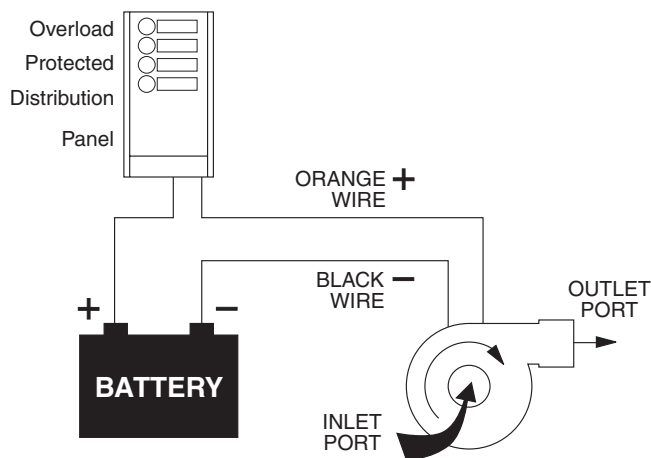
Connect black wire to negative (-) terminal of battery. The orange wire should run to a properly sized (see electrical specification) overload protected switch or circuit breaker, with a wire from switch or breaker to a positive (+) terminal of battery. Electrical circuit must be independent of all other accessories. To prolong motor life, install pump so normal motor rotation is clockwise. Use proper wire size as determined by wire table elsewhere on this sheet.

PLUMBING CONNECTIONS

The intake and outlet ports have internal 3/4" pipe threads. Brass or plastic pipe fittings may be used to suit the installation. Plastic fittings that may be subject to cracking due to vibration should not be used below the the waterline. PTFE pipe joint tape or compound should be used if brass fittings are installed in pump. Hose maybe used with common pipe adaptor installed in the pump ports.

MAINTENANCE

Check all electrical connections periodically, particularly in soft water areas. Corrosion can cause loss of performance or nonoperation in extreme cases. The motor should be protected with a corrosion inhibiting spray and any rust should be removed and the motor repainted.

WIRING DIAGRAM**WIRE SIZE TABLE**

CONNECTION LENGTH BETWEEN BATTERY AND MOTOR	12V	24V
1-10 ft. (3m)	#12	#16
11-20 ft. (6m)	#10	#16
21-30 ft. (9m)	8	#12

ELECTRICAL SPECIFICATIONS

BETWEEN BATTERY	12V	24V
Amp Draw (Approx.)	8	4
Fuse Size	10	5

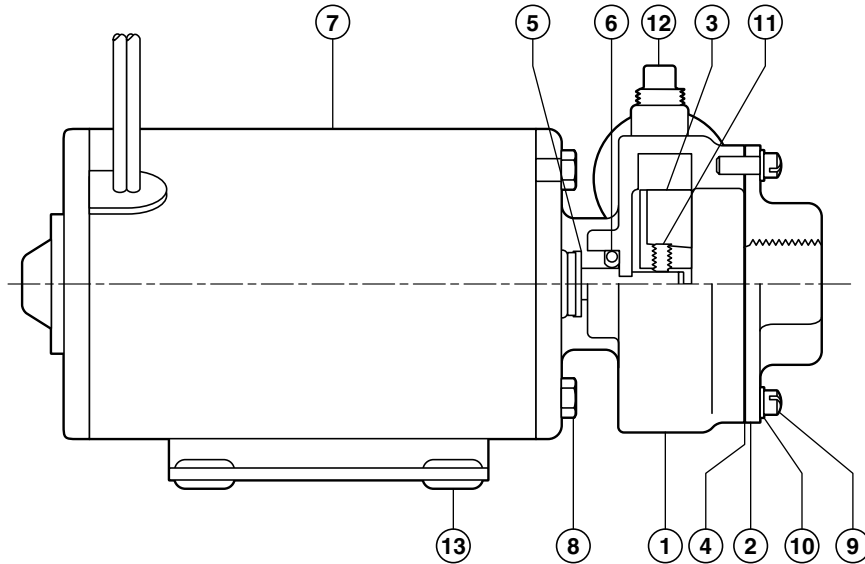
OPERATION

The pump may be run dry for short periods of time. Running without liquid allows heat to build up between seal and shaft, thus shortening seal life. The pump can run against a closed outlet such as encountered when using a garden hose type shut-off nozzle. Small particles of trash and debris will pass through the pump, though an intake strainer should be fitted K excessive problems are encountered with pump clogging.

⚠ WARNING

Motor runs hot; about 180° is normal temperature. Prolonged contact during operation can cause a burn.

SECTIONAL VIEW



PARTS LIST

Key	Part Number	Description	Qty.
1	18513-0000	Pump Body	1
2	18514-0000	End Cover	1
3	18515-0000	Impeller	1
4	18516-0000	Gasket	1
5	6342-0000	Slinger	1
6	1040-0001	Seal, Viton	1
7*	18517-0000	Motor 12 Vdc	1
	18517-0001	Motor 24 Vdc	1
8	98019-0020	Body Mounting Screw	2
9	91027-0013	End cover Screw	4
10	91602-0020	Lock Washer #10 S.S.	4
11	18753-0557	Impeller Set Screw	1
12	92650-0040	Plug	1
13	92900-0330	Grommet	4

*Includes motor base

MAINTENANCE

Check all electrical connections periodically, particularly in salt water areas. Corrosion can cause loss of performance or non-operation in extreme cases. The motor should be protected with a corrosion inhibiting spray and any rust should be removed and the motor repainted.

SERVICE INSTRUCTIONS

Disassembly

1. Remove end cover screws, end cover and gasket.
2. Remove pipe plug in top of body and rotate impeller so the set screw aligns with the plug hole. Insert a 3/32" allen wrench through the plug hole and loosen impeller setscrew. Remove the impeller.
3. Remove screws securing the body to the motor and remove the body.
4. From the inside of the body, insert a dowel into the seal area and press the seal out of the seal bore.

Assembly

1. From the rear of the body, press the seal into the seal bore with the lip angled toward the pump cavity.
2. Apply a small amount of grease to the shaft in the area where the seal contacts it. Slide the body on to the shaft and secure it to the motor with the two mounting screws.
3. Align the impeller set screw with the flat on the motor shaft and slide the impeller onto the shaft until it hits the rear of the body. Then slide the impeller forward about 1/16" and secure it with the set screw. Rotate the impeller to ensure it does not rub on the body. Re-install the pipe plug in the pump body.
4. Ensure the body and end cover surfaces are clean where they contact the gasket. Align the end cover and new gasket with the body and secure it with the end cover screws.

ONE YEAR LIMITED WARRANTY

A. LIMITED WARRANTY:

ITT warrants that at the time of shipment, the products manufactured by ITT and sold hereunder shall be in conformity with applicable written specifications and descriptions referred to of set forth herein free from defects in material and workmanship, merchantable, and suitable for a particular purpose, provided such is implied by State law under the circumstances of this sale.

B. WARRANTY ADJUSTMENT:

1. ITT agrees to repair or furnish a replacement for, but not to remove or install, any product or component thereof which, within one (1) year from date of purchase, shall upon test and examination by ITT prove defective within the above warranty. Receipt verifying purchase date is required to obtain adjustment.
2. Buyer shall notify ITT of any defect within this warranty no later than ninety (90) days after the defect is discovered.
3. No product will be accepted for return or replacement without the prior written authorization of ITT. Upon such authorization, and in accordance with instructions from ITT, the product will be returned to ITT, shipping charges prepaid by Buyer. Products returned to ITT will be addressed as follows:

ITT JABSCO

20 Icon

Foothill Ranch, CA 92610-3000

or to such alternate locations as may be designated on the product, its container, or this sheet.

Repair or replacement made under this warranty will be shipped prepaid to Buyer.

C. EXCLUSIONS FROM WARRANTY AND LIMITATION OF LIABILITY:

1. The foregoing warranty is limited solely as set forth herein and applies only for the period designated above.

2. ITT SHALL NOT BE LIABLE FOR ANY LOSS, DAMAGE, SPECIAL OR CONSEQUENTIAL DAMAGE OF ANY KIND, WHETHER BASED UPON WARRANTY, CONTRACT, NEGLIGENCE, OR STRICT LIABILITY ARISING IN CONNECTION WITH THE SALE, USE, OR REPAIR OF THE PRODUCT.
3. THE MAXIMUM LIABILITY OF ITT IN CONNECTION WITH THIS WARRANTY SHALL NOT IN ANY CASE EXCEED THE CONTRACT PRICE FOR THE PRODUCT CLAIMED TO BE DEFECTIVE OR UNSUITABLE.
4. This warranty does not extend to any product manufactured by ITT which has been subjected to misuse, neglect, accident, improper installation. or use in violation of instructions furnished by ITT.
5. This warranty does not extend to or apply to any unit which has been repaired or stored at any place other than ITT's factory, or by persons not expressly approved by ITT, not to any unit the serial number, model number, or identification of which has been removed, defaced or changed.
6. Components manufactured by any supplier other than ITT shall bear only that warranty made by the manufacturer of that product.
7. This warranty applies to products defined as "consumer products" by the Consumer Product Warranties Act as from time to time amended.

D. CONSUMER RIGHTS: This warranty gives you specific legal rights, and you may have other rights which vary from state to state. Some states do not allow exclusion or limitation of damages.

STANDARD WARRANTY: if the products manufactured and said hereunder are not Consumer Products, the warranty extended to Buyer shall be as set forth in subparagraphs (A), (B), and (C), **EXCEPT THAT ALL EXPRESS OR IMPLIED WARRANTIES OR MERCHANTABILITY OR SUITABILITY FOR ANY PARTICULAR PURPOSE ARE EXCLUDED.**

Jabsco



ITT Industries

Engineered for life

U.S.A.
Jabsco
20 Icon
Foothill Ranch, CA 92610-3000
Tel: 949.609.5106
Fax: 949.859.1254

UNITED KINGDOM
Jabsco
Bingley Road, Hoddesdon
Hertfordshire EN11 OBU
Tel: +44 (0) 1992 450145
Fax: +44 (0) 1992 467132

CANADA
Fluid Products Canada
55 Royal Road
Guelph, Ontario N1H 1T1
Tel: (519) 821.1900
Fax: (519) 821.2569

JAPAN
NHK Jabsco Company Ltd.
3-21-10, Shin-Yokohama
Kohoku-Ku, Yokohama, 222
Tel: 045.475.8906
Fax: 045.475.8908

GERMANY
Jabsco GmbH
Oststrasse 28
22840 Norderstedt
Tel: +49-40-53 53 73 -0
Fax: +49-40-53 53 73 -11