



Model 17430-Series


SELF-PRIMING PUMPS

FEATURES

Body:	Glass-Filled Epoxy
Impeller:	Neoprene, Nitrile or Viton*
Shaft Seal:	Mechanical, Carbon-on-Ceramic, Nitrile
Ports:	1/2" N.P.T. Internal
Shaft:	Corrosion Resistant Steel with Epoxy Drive Sleeve in Contact with Fluid
Motor:	115V AC, 1 ϕ , 60 Hz, 1/2 HP, 1725 RPM, TEFC, Overload Protected, Capacitor Start, Three-pronged Grounded Plug
Weight:	33-1/2 lb (15.3 kg)



Model 17430-Series

	WARNING Explosion hazard. Do not use where flammable vapors are present. Do not pump gasoline, solvents, thinners or other flammable liquids. To do so can cause an explosion resulting in injury or death.
---	--

VARIATIONS AVAILABLE

MODEL NO.	DESCRIPTION
17430-0003	Nitrite Impeller
17430-0004	Viton Impeller, Seal and O-Ring

APPLICATION

Designed for transfers, circulation, spill returns, filtration and filling line use. Easily handles pure solutions, foaming liquids, emulsions, suspended solids, gels and metallic contamination, it is widely used for pumping photo chemicals, plating compounds, lab solutions, pharmaceuticals, cosmetics, weak acids, alkalize, liquid fertilizers, insecticides, dyes, detergents, waxes and many more. There is no pump metal part in contact with the fluid. Refer to the JABSCO Chemical Resistance Guide.

* Viton is a registered trademark of Du Pont Elastomers L.L.C.

OPERATING INSTRUCTIONS

- 1. INSTALLATION:** Pump may be mounted in any position. Inlet port is on the right and discharge port on the left when facing pump.
- 2. SELF-PRIMING:** Vertical dry suction lift of 6 feet with Nitrile impeller. Pump will produce suction lift up to 20 feet when wetted. **BE SURE SUCTION LINES ARE AIRTIGHT OR PUMP WILL NOT SELF-PRIME.**

NOTE: Viton impeller suction lift requirement should not exceed 3 feet.
- 3. DISCHARGE LINE:** When transferring liquids further than 25 feet, discharge line size should be increased to next available pipe size.
- 4. RUNNING DRY: DO NOT RUN DRY.** Unit depends on liquid pumped for lubrication. Lack of liquid will damage the impeller and void warranty.
- 5. NOTICE:** When pumping chemicals, consult Jabsco Chemical Resistance Table for proper body and impeller materials. Pump life is prolonged if pump is flushed with water after each use.
- 6. CONTINUOUS OPERATION:** For continuous operation, pressure should not exceed 20 psi.
- 7. TEMPERATURES:**
 - Neoprene: 45° to 180° F (7° to 82° C)
 - Nitrile: 50° to 180° F (10° to 82° C)
 - Viton: 60° to 180° F (15° to 82° C)
- 8. FREEZING WEATHER:** Drain unit by loosening end cover. Glycol and alcohol based anti-freeze compounds are recommended. **DO NOT USE PETROLEUM BASED ANTI-FREEZE COMPOUNDS OR RUST INHIBITORS.**

SERVICE INSTRUCTIONS

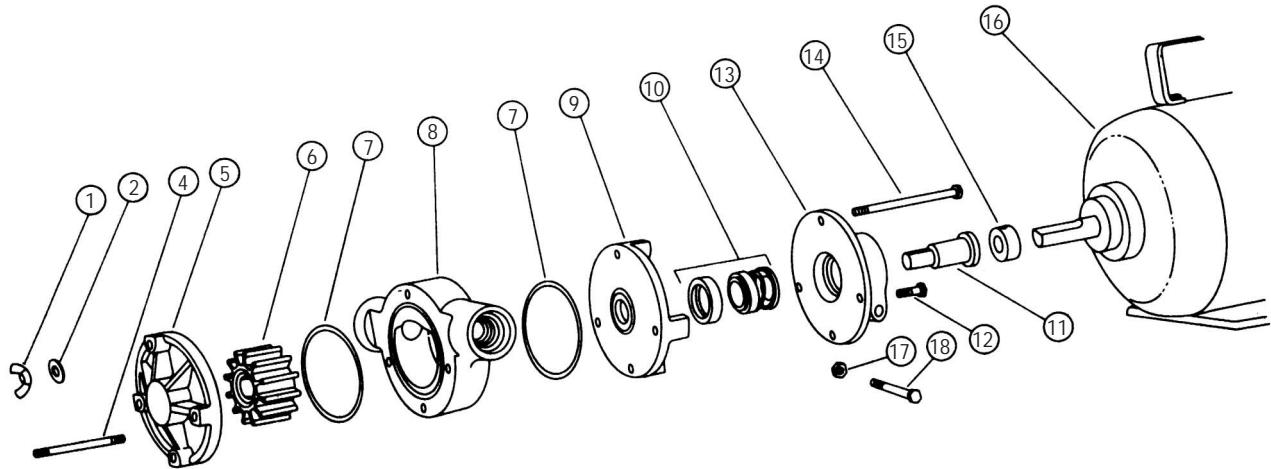
IMPELLER REPLACEMENT

1. Remove wing nuts, washers and end cover.
2. Remove pump head from seal housing. Remove O-rings from body grooves.
3. Push impeller from body bore.
4. Install new impeller in lubricated body bore by grasping hub and with a rotary motion push it into the body bore. Replace O-rings in body grooves.
5. Position the body over the through bolts against the seal housing.
6. Install end cover and secure with washers and wing nuts.

SEAL REPLACEMENT

1. Remove wing nuts, washers and end cover.
2. Remove pump head from seal housing. Remove O-rings from body grooves.
3. Push impeller from body bore.
4. Remove seal housing. Insert screwdriver through seal seat bore and pry seat and grommet from seal housing.
5. Remove drive sleeve from shaft. Remove seal and seal spring from drive sleeve.
6. Install seal spring on drive sleeve. Lubricate seal with water and slide on drive sleeve with carbon facing away from spring. Install drive sleeve on shaft.
7. Install ceramic seal seat in grommet with grooved face towards grommet. Lubricate outer grommet surfacer with water and push seal seat assembly into seal housing with ceramic seals facing out of seal seat bore. Assemble seat housing over through bolts so seal and seats faces contact.
8. Assemble impeller body and end cover as in steps 4, 5, and 6.

EXPLODED VIEW



PARTS LIST

Key	Description	Qty.	Part Number
1	Wing Nut	4	91107-0030
2	Washer	4	91601-0040
4	Stud	2	91090-0040
5	End Cover	1	17434-0000
6	Impeller		14281-003 14806-0004
			Nitrile
			Viton
7	O-Ring	2	92000-0310 92000-0880
			Nitrile
			Viton
8	Body	1	14924-0000
9	Seal Housing	1	14533-0010
*10	Seal Assembly, Standard	1	96080-0280
	Carbon/Ceramic, Viton		96080-0290
11	Drive Sleeve	1	17006-0000
12	Bolt	2	91095-0240
13	Adapter	1	17433-0000
14	Bolt	2	91094-0120
15	Collar	1	98022-0700
16	Motor	1	93004-1850
17	Nut-Adapter	1	91105-0030
18	Bolt-Adapter	1	91095-0090
	Pump Head Kit		17438-0003
	Pump Head Kit		17438-0004
			Nitrile
			Viton

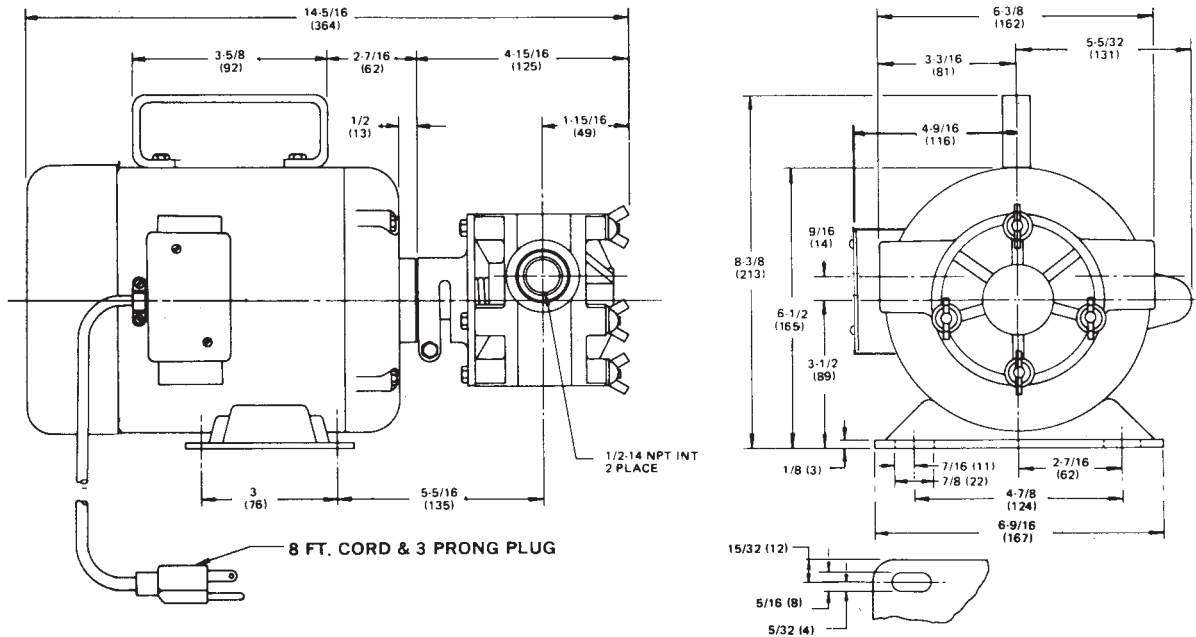
* Available as optional part: Seal Assembly Carbon/Carpenter 20 with Viton 17221-0040

PUMP HEAD ONLY

w/Nitrile Impeller	17438-0003
x/Viton Impeller	17438-0004

DIMENSIONAL DRAWING
Inches (Millimeters)

MODEL: 17430-0003
17430-0004



HEAD CAPACITY TABLE

Total Head				Flow @ 500 RPM			Flow @ 1160 RPM			Flow @ 1750 RPM		
psi	kg per sq cm	Feet of Water	Meters of Water	GPM	L/Min	HP	GPM	L/Min	HP	GPM	L/Min	HP
4.3	0.3	10	3.0	3.5	13.2	1/6	7.5	28.4	1/4	11.3	42.8	1/2
8.7	0.6	20	6.1	3.1	11.7	1/6	6.7	25.4	1/4	10.2	38.6	1/2
13.0	0.9	30	9.1	2.6	9.8	1/6	5.5	20.8	1/3	9.0	34.1	1/2
21.6	1.5	50	15.2	—	—	—	—	—	—	5.2	19.7	1/2

NOTE: Table shows approximate head flow for new pumps with neoprene impeller. Capacities reduced approximately 10% with nitrile and viton impellers. Do not operate viton impeller above 15 psi.

Jabsco



THE PRODUCTS DESCRIBED HEREIN ARE SUBJECT TO THE JABSCO ONE YEAR LIMITED WARRANTY, WHICH IS AVAILABLE FOR YOUR INSPECTION UPON REQUEST.

U.S.A.
Jabsco
20 Icon
Foothill Ranch, CA 92610-3000
Tel: 949.609.5106
Fax: 949.859.1254

UNITED KINGDOM
Jabsco
Bingley Road, Hoddesdon
Hertfordshire EN11 OBU
Tel: +44 (0) 1992 450145
Fax: +44 (0) 1992 467132

CANADA
Fluid Products Canada
55 Royal Road
Guelph, Ontario N1H 1T1
Tel: (519) 821.1900
Fax: (519) 821.2569

JAPAN
NHK Jabsco Company Ltd.
3-21-10, Shin-Yokohama
Kohoku-Ku, Yokohama, 222
Tel: 045.475.8906
Fax: 045.475.8908

GERMANY
Jabsco GmbH
Oststrasse 28
22840 Norderstedt
Tel: +49-40-53 43 73 -0
Fax: +49-40-53 53 73 -11