

Spare Parts List

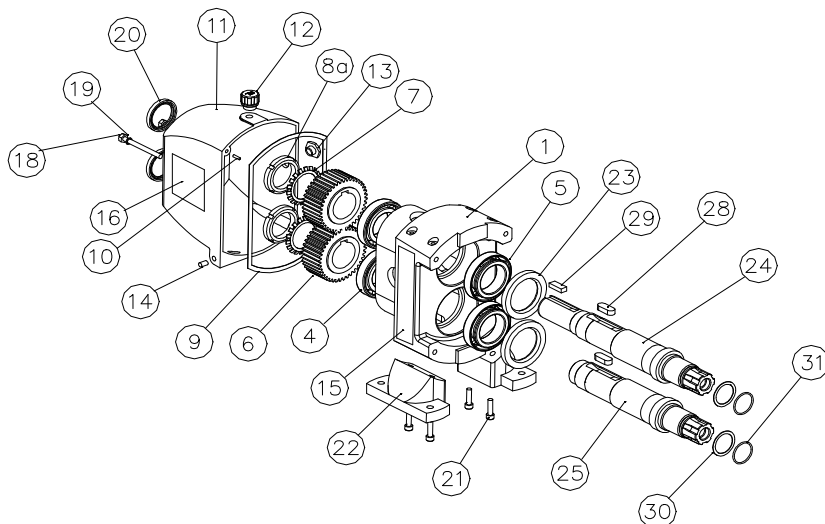
5 Size Pumps

Hy-Line



Contents

Page 1	-	Gearbox & Bearing Housing
Page 2	-	Wet End - Rotor Case & Rotors (Part 1)
Page 3	-	Wet End - Rotor Case & Rotors (Part 2)
Page 4	-	Ports
Page 5	-	Single Mechanical Seal
Page 6	-	Flush For Single Mechanical Seal
Page 7	-	Double Mechanical Seal Conversion Kit
Page 8	-	Single O-Ring Seal
Page 9	-	Double O-Ring Seal
Page 10	-	Relief Valves
Page 11	-	Thermal Jackets
Page 12	-	Tools



5 Size Pumps

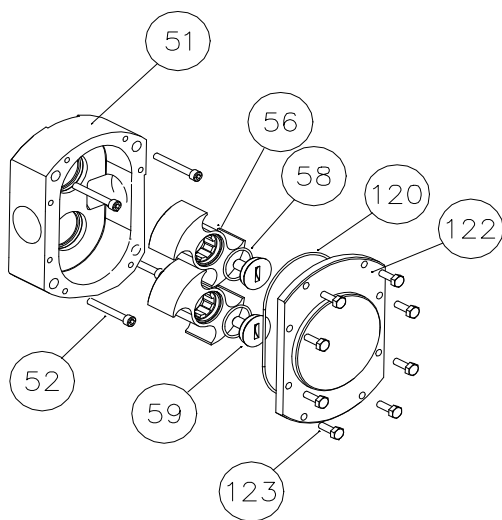
Gearbox & Bearing Housing

Key No.	Description	Where used	Part No.	Qty Req.
1	Bearing carrier Housing - Aluminium	52 & 54 Size	54505-0000	1
2	Eye Bolt	52 & 54 Size	SP7040-0013	1
3	Washer - Eye Bolt	52 & 54 Size	X5268-002	1
4	Bearing Rear	52 & 54 Size	92601-0483	2
5	Bearing Front	52 & 54 Size	92601-0483	2
6	Timing Gear Set (2 gears per set)	52 & 54 Size	54508-0000	1
7	Tab Washer - Gear Nut	52 & 54 Size	92601-0485	2
8a	Gear Nut	52 & 54 Size	92601-0484	2
9	Gasket Gear Cover	52 & 54 Size	54507-0001	1
10	Roll Pin - Bearing Carrier Housing	52 & 54 Size	SP3100-0225	2
11	Gear Cover - Aluminium	52 & 54 Size	54506-0100	1
12	Plug - Oil Filler/Breather	52 & 54 Size	54020-0002	1
13	Oil Level Window	52 & 54 Size	SP8022-2248	1
14	Drain Plug	52 & 54 Size	SP2650-0220	1
15	Label - Hy~Line	52 & 54 Size	23005-1820	1
16	Label - Rotary Lobe Pump	52 & 54 Size	23005-1822	1
18	Screw - Gear Cover	52 & 54 Size	X3000-223F	2
19	Washer (Nylon) - Gear Cover	52 & 54 Size	SP1613-1390	2
20	Lip Seal - Rear Gear Cover	52 & 54 Size	X5280-011	2
21	Screws - Foot Mounting	52 & 54 Size	X3007-182F	4
22	Foot - Horizontal Ports (Aluminium) - Vertical Ports (Stainless steel)	52 & 54 Size	54518-0100 54519-0000	2
23	Lip Seal - Front Bearing Carrier Housing	52 & 54 Size	92701-1028	2
24	Shaft - Driving	52 Size 54 Size	54527-0000 54547-0000	1
25	Shaft - Driven	52 Size 54 Size	54528-0000 54548-0000	1
28	Key - Timing Gear Drive	52 & 54 Size	X4000-503A	2
29	Key - Drive Shaft	52 & 54 Size	X4000-528A	1
30	Shim Kit - Rotor Clearance	52 & 54 Size	54586-0000B	1
31	O-Ring - Shim Retention - Nitrile	52 & 54 Size	92000-1427	2

	Gearbox Service Kit Consists of: 2 x Front Oil Seal for bearing housing (23) 2 x Rear Oil Seal for gear cover (20) 1 x Gasket - Gear cover (9) 2 x Washer for sealing gear cover screws (19)	52 & 54 Size	54585-0000B	1
--	---	--------------	-------------	---

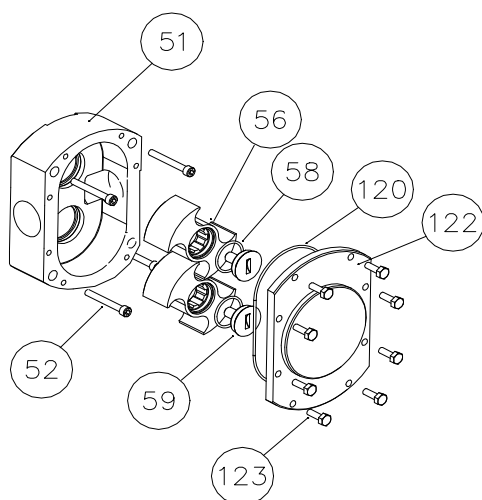
5 Size Pumps

Wet End - Part 1
Rotor Case & Rotors



Key No.	Description	Where used	Part No.	Qty Req.
51	Rotor Case			1
	For Bolt on Ports (All Mech Seals)			
	Standard Machined Finish	52 Size	54523-0000	
		54 Size	54543-0000	
	Electro-Polish Finish	52 Size	54523-0090	
		54 Size	54543-0090	
	0.5 Micron & Electro-Polish Finish	52 Size	54523-0010	
		54 Size	54543-0010	
	For Bolt on Ports + Double O-Ring Seal			
	Standard Machined Finish	52 Size	54523-0002	
		54 Size	54523-0002	
	Electro-Polish Finish	52 Size	54523-0092	
		54 Size	54543-0092	
	0.5 Micron & Electro-Polish Finish	52 Size	54523-0012	
		54 Size	54543-0012	
	For Bolt on Ports + Hopper Inlet (All mech seals)			
	Standard Machined Finish	52 Size	54523-0001	
		54 Size	54543-0001	
	Electro-Polish Finish	52 Size	54523-0091	
		54 Size	54543-0091	
	0.5 Micron & Electro-Polish Finish	52 Size	54523-0011	
		54 Size	54543-0011	
	For Bolt on Ports + Hopper Inlet + Double O-Ring Seal			
	Standard Machined Finish	52 Size	54523-0003	
	54 Size	54523-0003		
Electro-Polish Finish	52 Size	54523-0093		
	54 Size	54543-0093		
0.5 Micron & Electro-Polish Finish	52 Size	54523-0013		
	54 Size	54543-0013		
For Welded Tri Clamp Ports				
Standard Machined Finish	52 Size	56523-1000		
	54 Size	56543-1000		
Electro-Polish Finish	52 Size	56523-1090		
	54 Size	56543-1090		
0.5 Micron & Electro-Polish Finish	52 Size	56523-1010		
	54 Size	56543-1010		
52	Screw - Rotor Case	52 Size	X3007-222F	4
		54 Size	X3007-227F	

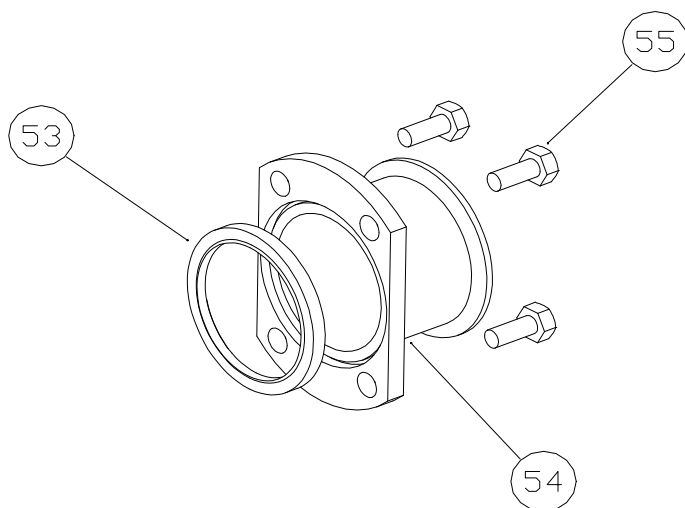
5 Size Pumps

Wet End - Part 2
Rotor Case & Rotors

Key No.	Description	Where used	Part No.	Qty Req.
56	Rotor Kit (Includes 2 x rotors) High Pressure (316 SS) - Standard Machined High Pressure (316 SS) - Electro-Polish High Pressure (316 SS) - 0.5 Micron & Electro-Polish High Efficiency (316 SS) - Standard Machined High Efficiency (316 SS) - Electro-Polish High Efficiency (316 SS) - 0.5 Micron & Electro-Polish High Pressure (316L SS) - Standard Machined High Pressure (316L SS) - Electro-Polish High Pressure (316L SS) - 0.5 Micron & Electro-Polish High Efficiency (316L SS) - Standard Machined High Efficiency (316L SS) - Electro-Polish High Efficiency (316L SS) - 0.5 Micron & Electro-Polish	52 Size 54 Size 52 Size 54 Size 52 Size 54 Size 52 Size 52 Size 52 Size 52 Size 54 Size 52 Size 54 Size 52 Size 54 Size 52 Size 52 Size 52 Size	54522-0009B 54542-0009B 54522-0099B 54542-0099B 54522-0019B 54542-0019B 54522-0008B 56522-0098B 56522-0018B 54522-L-0009B 54542-L-0009B 54522-L-0099B 54542-L-0099B 54522-L-0019B 54542-L-0019B 54522-L-0008B 54522-L-0098B 54522-L-0018B	1
58	O-Ring - Rotor Retainer - Nitrile - EPDM - Viton - PTFE	52 & 54 Size	92000-1425 92000-1449 92000-1447 92000-1448	2
59	Rotor Retaining Screw	52 & 54 Size	54525-0000	2
60	Shaft Guard (Not Shown on Exploded View)	52 & 54 Size	54530-0000	2
61	Shaft Guard Stud (Not Shown on Exploded View)	52 & 54 Size	54529-0000	2
62	Shaft Guard Nut (Not Shown on Exploded View)	52 & 54 Size	X3070-061F	2
120	O-Ring - End Cover - Nitrile - EPDM - Viton - PTFE	52 & 54 Size	92000-1424 92000-1433 92000-1432 92000-6018	1
122	End Cover - Plain O-Ring Joint 316 SS Standard Machined Finish Electro-Polish Finish 0.5 Micron & Electro-Polish Finish End Cover - Controlled Compression Joint (Gasket) Standard Machined Finish Electro-Polish Finish 0.5 Micron & Electro-Polish Finish	52 & 54 Size	54509-0000 54509-0090 54509-0010 56509-0000 56509-0090 56509-0010	1
123	Bolt - End Cover	52 & 54 Size	X3001-211F	4

5 Size Pumps

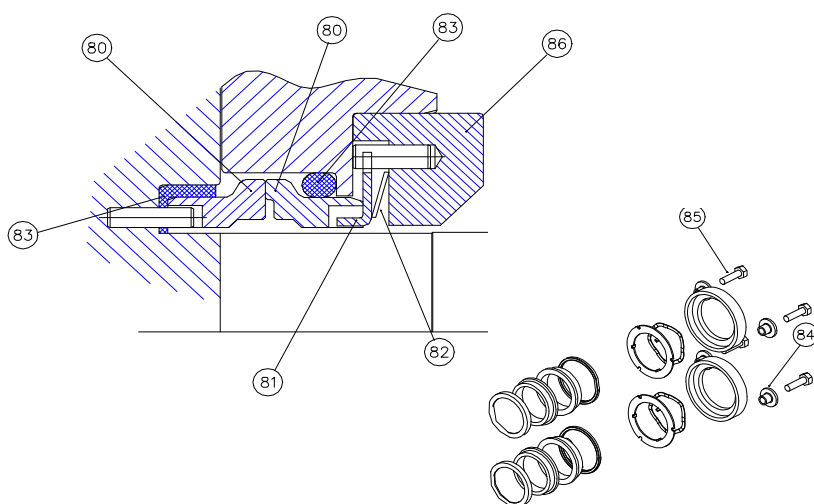
Ports



Key No.	Description	Where used	Part No.	Qty Req.
53	Port Joint Ring - Nitrile - EPDM - Viton - PTFE	52 Size	54058-0150	2
		54 Size	54058-0200	
		52 Size	24058-0157	
		54 Size	24058-0207	
		52 Size	54058-0154	
		54 Size	54058-0204	
		52 Size	24058-0152	
		54 Size	24058-0202	
55	Screw - Bolt on Port Retainers	52 & 54 Size	X3001-207F	8
54	Port Kit (Includes 2 x Ports & 2 x Port Joint Rings (Nitrile)) Tri - Clamp (BS4825 part 3) - Standard Tri - Clamp (BS4825 part 3) - Enlarged BSP (BS2779) - Standard BSP (BS2779) - Enlarged IDF (ISO 2853) - Standard IDF (ISO 2853) - Enlarged RJT (BS1864) - Standard RJT (BS1864) - Enlarged 3A ACME (BS3581) - Standard 3A ACME (BS3581) - Enlarged DIN 11851 - Standard DIN 11851 - Enlarged SMS 1146 - Standard SMS 1146 - Enlarged NPT - Standard NPT - Enlarged	52 Size	24055-1150B	1
		54 Size	24055-1200B	
		52 Size	24255-1200B	
		54 Size	24255-1300B	
		52 Size	24055-2150B	
		54 Size	24055-2200B	
		52 Size	24255-2200B	
		54 Size	24255-2300B	
		52 Size	24055-3150B	
		54 Size	24055-3200B	
		52 Size	24255-3200B	
		54 Size	24255-3300B	
		52 Size	24055-4150B	
		54 Size	24055-4200B	
		52 Size	24255-4200B	
		54 Size	24255-4300B	
		52 Size	24055-5150B	
		54 Size	24055-5200B	
		52 Size	24255-5200B	
		54 Size	24255-5300B	
		52 Size	24055-6150B	
		54 Size	24055-6200B	
		52 Size	24255-6200B	
		54 Size	24255-6300B	
52 Size	24055-7150B			
54 Size	24055-7200B			
52 Size	24255-7200B			
54 Size	24255-7300B			
52 Size	24055-9150B			
54 Size	24055-9200B			
52 Size	24255-9200B			
54 Size	24255-9300B			

5 Size Pumps

Single Mechanical Seal



Key No.	Description	Where used	Part No.	Qty Req.
80	Primary Seal Face Kit (Includes both faces) - Carbon/Stainless Steel - Carbon/Silicon Carbide - Silicon Carbide/Silicon Carbide	52 & 54 Size	96080-0594 96080-0583 96080-0584	2
81	Drive Plate - Mechanical Seal	52 & 54 Size	X5240-003	2
82	Wave Spring	52 & 54 Size	X5250-016	2
83	Single Seal Trim Kit - Nitrile - EPDM - Viton - PTFE	52 & 54 Size	96080-0613 96080-0586 96080-0587 Use 83a, 83b & 83c	2
83a	Washer under Seal Rotary Face (fitted to rotor) - Viton	52 & 54 Size	54020-0005	2
83b	PTFE Sleeve (fitted to rotor)	52 & 54 Size	54511-0000	2
83c	PTFE Encapsulated O-Ring	52 & 54 Size	92000-6017	2
84	Clamp Plate - Seal Housing	52 & 54 Size	56011-0000	4
85	Screw - Seal Housing	52 & 54 Size	X3001-209F	4
86	Seal Housing Kit (Includes wave spring)	52 & 54 Size	96080-0588	2

	Pump Head Trim Kit - Nitrile - EPDM - Viton - PTFE	52 Size 54 Size 52 Size 54 Size 52 Size 54 Size 52 Size 54 Size	54584-9150B 54584-9200B 54584-9157B 54584-9207B 54584-9154B 54584-9204B 54584-9152B 54584-9202B	1
--	--	--	--	---

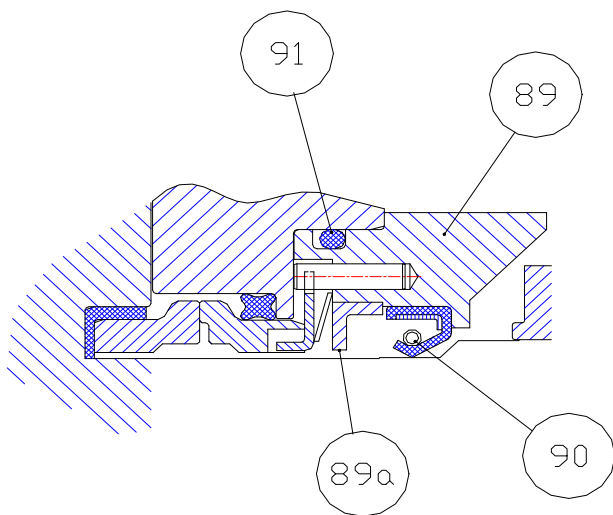
Consists of: 2 x Single seal trim kit (83), 2 x O-Ring rotor retainer (58), 1 x End cover o-ring (120), 2 x Port seals (53)
2 x O-Ring - Shim retention (31)

	Seal Service Kit	52 Size	54 Size	1
	Carbon/Stainless - Nitrile - EPDM - Viton - PTFE	54599-0001 54599-0003 54599-0005 54599-0007	54599-0002 54599-0004 54599-0006 54599-0008	
	Carbon/Silicon Carbide - Nitrile - EPDM - Viton - PTFE	54599-0009 54599-0011 54599-0013 54599-0015	54599-0010 54599-0012 54599-0014 54599-0016	
	Silicon Carbide/Silicon Carbide - Nitrile - EPDM - Viton - PTFE	54599-0017 54599-0019 54599-0021 54599-0023	54599-0018 54599-0020 54599-0022 54599-0024	

Consists of: 2 x Primary seal face kit (80), 1 x Pump head trim kit, 2 x Seal housing kit (86), 1 x Shim kit (30)

5 Size Pumps

Flush for Single Mechanical Seals



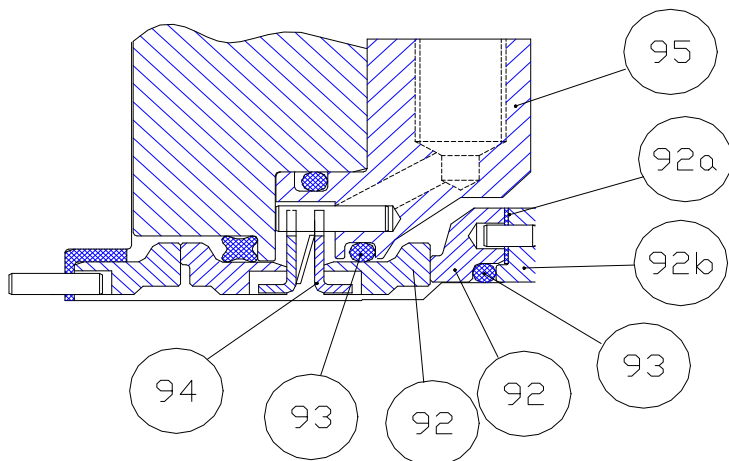
Key No.	Description	Where used	Part No.	Qty Req.
89	Seal Housing Kit	52 & 54 Size	96080-0590	2
89a	Washer	Supplied as part of Seal Housing Kit		
90	Lip Seal - Seal Housing (Nitrile)	52 & 54 Size	92701-1023	2
91	O-Ring - Seal Housing (Nitrile)	52 & 54 Size	92000-1453	2

Seal housing kit consists of:
 1 x wave spring, 1 x drive ring, 1 x o-ring, 1 x flush housing, 1 x washer, 3 x pin.

	Flushed Seal Conversion Kit - Nitrile Consists of: 2 x Seal Housing Kit (89), 2 x Lip Seal (90)		54599-0025	1
--	---	--	------------	---

5 Size Pumps

Double Mechanical Seal Conversion Kit



Key No.	Description	Where used	Part No.	Qty Req.
92	Secondary Seal Face Kit - Carbon/Silicon Carbide	52 & 54 Size	96080-0585	2
92a	Rubber Washer - EPDM	Supplied as part of Secondary Seal Face Kit		
92b	Drive Ring	Supplied as part of Secondary Seal Face Kit		
93	Secondary Seal Trim Kit - EPDM - Viton	52 & 54 Size	96080-0592 96080-0593	2
94	Drive Plate - Mechanical Seal Secondary	52 & 54 Size	X5240-003	2
95	Seal Housing Kit	52 & 54 Size	96080-0589	2

Secondary Seal Face Kit Consists of:
1 x Face inboard & seat outboard, 1 x Rotary seal face (outboard), 1 x Rubber washer, 1 x drive ring, 1 x pin

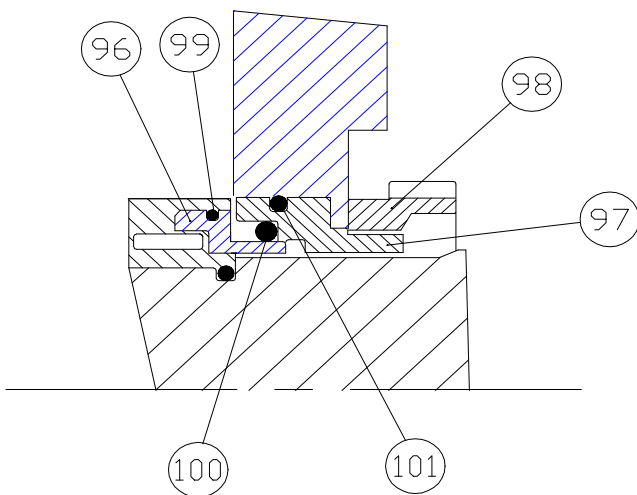
Secondary Seal Trim Kit Consists of:
1 x O-ring (2.62x44.12), 1 x O-ring (2.62x39.34), 1 x O-ring (2.62x61.60)

Seal Housing Kit Consists of:
1 x Wave spring, 2 x Drive ring, 1 x Double flush housing, 3 x Pins

	Double Mechanical Seal Conversion Kit Consists of: 2 x Secondary Seal Face Kit (92), 2 x Secondary Seal Trim Kit (93), 2 x Drive Plate Mechanical Seal (94), 2 x Seal Housing Kit (95)		54599-0030	1
--	---	--	------------	---

5 Size Pumps

Single O-Ring Seal



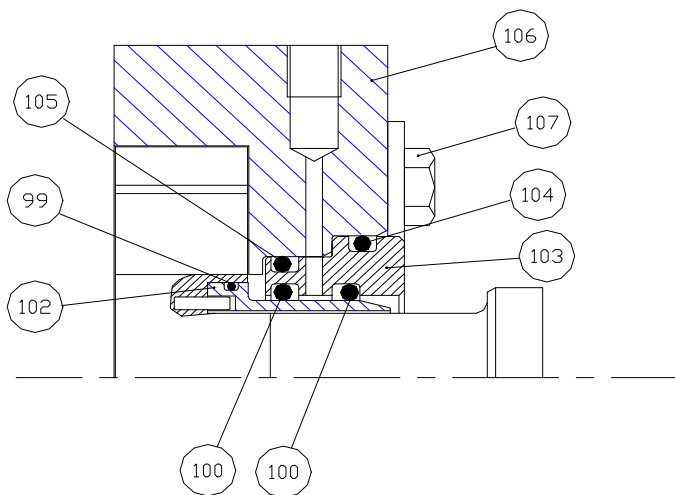
Key No.	Description	Where used	Part No.	Qty Req.
96	Seal Sleeve	52 & 54 Size	54553-0000	2
97	Seal Housing	52 & 54 Size	54552-0000	2
98	Retaining Nut	52 & 54 Size	54554-0000	2
99	O-Ring - Rotor (Nitrile)	52 & 54 Size	92000-6032	2
100	O-Ring - Primary Seal (Viton)	52 & 54 Size	92000-6052	2
101	O-Ring - Seal Housing (Nitrile)	52 & 54 Size	92000-6043	2

	Single O-Ring Seal Kit Consists of:- 2 x Seal Sleeve, 2 x Seal Housing, 2 x Retaining Nut 2 x O-Ring Rotor (Nitrile), 2 x O-Ring Primary Seal (Viton), 2 x O-Ring Seal Housing (Nitrile)	52 & 54 Size	54551-0000	1
--	--	--------------	------------	---

	Single O-Ring Maintenance Seal Kit Nitrile EPDM Viton PTFE Consists of:- 1 x Single O-Ring Seal Kit, 1 x End Cover O-Ring (120), 1 x Shim kit (30) 2 x O-Ring Rotor Retainer (58), 2 x O-ring Shim Retention (31)		54599-0040 54599-0041 54599-0042 54599-0043	1
--	--	--	--	---

5 Size Pumps

Double O-Ring Seal



Key No.	Description	Where used	Part No.	Qty Req.
99	O-Ring - Rotor (Nitrile)	52 & 54 Size	92000-6032	2
100	O-Ring - Primary Seal (Viton)	52 & 54 Size	92000-6052	4
102	Seal Sleeve	52 & 54 Size	54537-0000	2
103	Seal Housing	52 & 54 Size	54538-0000	2
104	O-Ring Housing Nitrile)	52 & 54 Size	92000-6036	4
105	O-Ring Flush Housing	52 & 54 Size	92000-6012	2
* 106	Housing - Flush	52 & 54 Size	54532-0000	2
107	Bolt Flush Housing	52 & 54 Size	X3001-211F	4

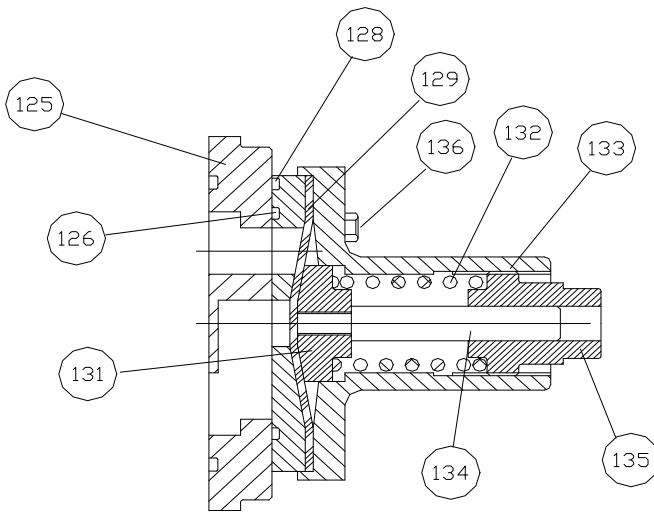
* Note: Rotor case may be different, Refer to JABSCO quoting pump serial number for information

Double O-Ring Seal Kit Consists of:- 1 x Rotor Case - Double O-Ring Seal (Bolt on Ports) 2 x O-Ring Rotor (Nitrile) (99), 4 x O-Ring Primary seal (Viton) (100) 2 x Seal Sleeve (102), 2 x Seal Housing (103), 4 x O-Ring housing (Nitrile) (104) 2 x O-Ring Flush Housing (Nitrile) (105), 2 x Flush Housing (106) 4 x Bolt - Flush Housing (107)	52 & 54 Size	54536-0000	1
--	--------------	------------	---

Double O-Ring Maintenance Seal Kit Nitrile EPDM Viton PTFE Consists of:- 1 x Double O-Ring Seal Kit, 1 x End Cover O-Ring (120), 2 x O-Ring Rotor Retainer (58), 2 x O-ring Shim Retention (31), 1 x Shim kit (30)		54599-0050 54599-0051 54599-0052 54599-0053	1
---	--	--	---

5 Size Pumps

Relief Valve

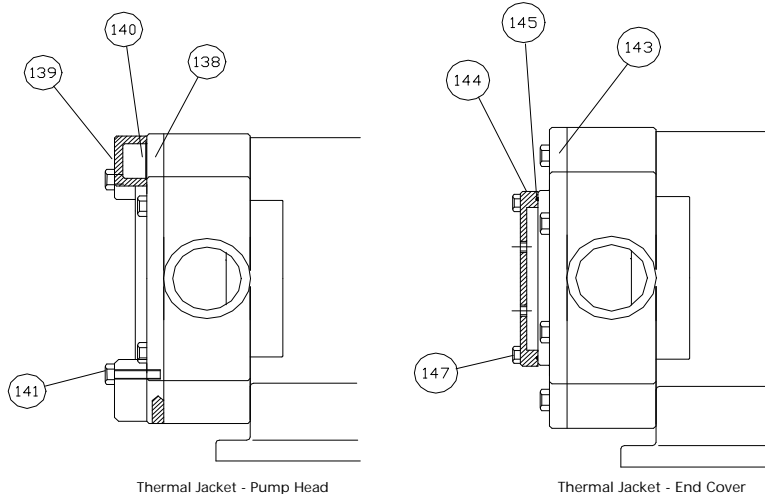


Key No.	Description	Where used	Part No.	Qty Req.
Relief Valve				
125	End Cover	52 & 54 Size	54509-0001	1
126	O-Ring - Relief Valve - Nitrile - PTFE - Viton	52 & 54 Size	X4020-389X X4020-389E X4020-389Y	1
128	Seat - Relief valve	52 & 54 Size	24172-0001	1
129	Diaphragm - Relief Valve - Nitrile - PTFE	52 & 54 Size	54073-0021 24073-0011	1
131	Plunger	52 & 54 Size	24174-0000	1
132	Spring - Relief Valve	52 & 54 Size	24175-0000	1
133	Housing	52 & 54 Size	24176-0000	1
134	Valve Guide	52 & 54 Size	24177-0000	1
135	Adjusting Screw	52 & 54 Size	24178-0000	1
136	Bolt - Relief Valve	52 & 54 Size	X3001-215F	2

	Relief Valve Kit (includes all of the components above)		54581-0001B	1
--	---	--	-------------	---

5 Size Pumps

Thermal Jackets



Key No.	Description	Where used	Part No.	Qty Req.
Thermal Jacket - Pump Head				
138	End Cover	52 & 54 Size	54509-0003	1
139	Jacket	52 & 54 Size	54501-0001	2
140	O-Ring	52 & 54 Size	X4020-369B	2
141	Screws	52 & 54 Size	X3001-213F	4

Pump Head Jacket Kit (Includes all of the components above)	52 & 54 Size	54580-0003B	1
---	--------------	-------------	---

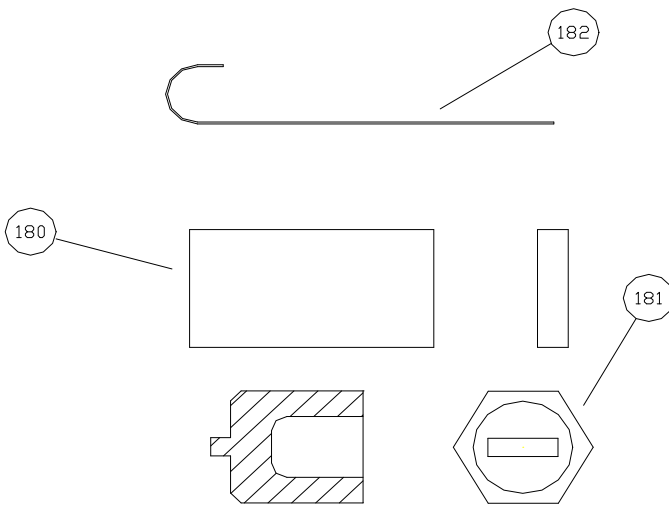
Thermal Jacket - End Cover				
143	End Cover	52 & 54 Size	54509-0004	1
144	Jacket	52 & 54 Size	24636-0000	1
145	O-Ring - Outer	52 & 54 Size	X4020-389B	1
147	Screws	52 & 54 Size	X3001-209F	2

End Cover Jacket Kit (Includes all of the components above)	52 & 54 Size	54580-0004B	1
---	--------------	-------------	---

Relief Valve with Thermal Jacket - End Cover	52 & 54 Size	54580-0009B	1
Consists of:			
1 x End cover (138), 1 x O-Ring - valve (126), 1 x Seat - valve (128)			
1 x Diaphragm (129), 1 x Plunger (131), 1 x Spring (132), 1 x Housing (133)			
1 x Valve guide (134), 1 x Adjusting screw (135), 2 x bolts (136)			
2 x Jacket (139), 2 x O-ring (140) & 4 x Screws (141)			

5 Size Pumps

Tools



Key No.	Description	Where used	Part No.	Qty Req.
182	Tool - Seal Seat Removal	52 & 54 Size	54677-0000	1
180	Tool - Rotor Locking Pad	52 & 54 Size	55027-0004	1
181	Socket Tool - Rotor Retainer	52 & 54 Size	54576-0000	1