

## 28620 Series

### Hygienic Stainless Steel Head Kit Pump

#### Features

- Self primes from dry up to 5.0 metres
- Flows up to 520 litres per minute
- Pressure up to 5.0 bar†
- Handles soft solids - max. 18mm diameter
- Certified to US 3A Standard 02-09
- Clean-In-Place (CIP) or easy strip clean
- Handles viscosities up to 10,000 centiPoise
- Minimal shear to thixotropic fluids
- Quick release end cover clamp



#### Typical Applications

- Foods, sauces, doughs, preserves, liquid egg, meat pastes
- Dairy products, milk, cream, yoghurt, cheeses
- Cosmetics, toothpaste, shampoos, soaps
- Pharmaceutical creams & lotions
- Wines, beers, soft drinks, fruit juices & syrups
- Ingredients unloading and transfer
- Tank filling and emptying
- Recirculation and mixing
- Portion and container filling
- Brine injection
- Sampling, filtration and more

#### Specifications

**Seal** : Carbon / Stainless steel mechanical face  
Tungsten Carbide / Stainless steel hard faced  
Flushed options for crystallising fluids

**Seal Elastomer** : Food grade Nitrile O-rings

**Pump Head** : Stainless steel 316, machined interior and electropolished exterior finish

**End Cover** : Stainless steel 316 grade

**Shaft** : Stainless steel 316 grade special motor shaft

**Bearings** : Uses motor bearings

**Motor Adaptor** : Cast 316 grade Stainless steel


Ports :			
2½"	Tri-Clamp		28620-1xxx
63.5mm	IDF/ISS		28620-3xxx
2½"	RJT to BS1864		28620-4xxx
2½"	3A Bevel Seat		28620-5xxx
65mm	DIN 11851		28620-6xxx
63.5mm	SMS 1145		28620-7xxx

#### Model Range

**Weight** : 15.0kg

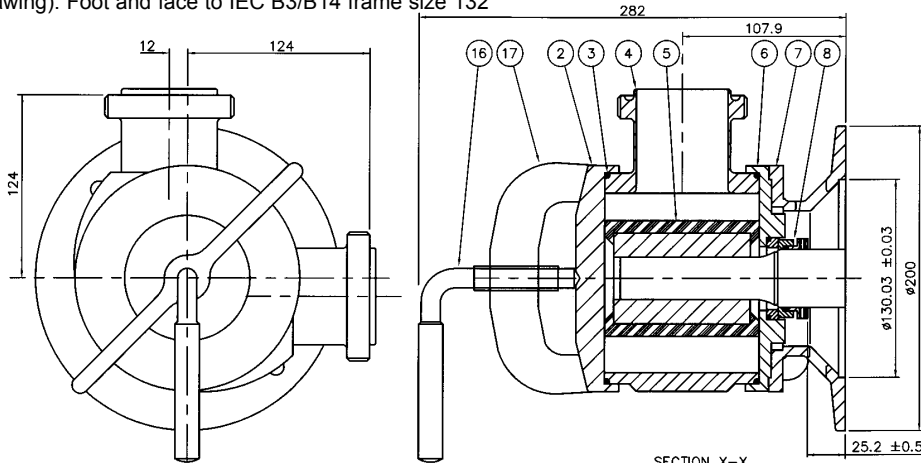
Pressure options	Standard - Max 2.0 bar		High - Max 5.0 bar†	
Elastomer option	3A Neoprene		3A Neoprene	
Temperature range	4°C to 65°C		4°C to 65°C	
<b>Mechanical Seal Options</b>				
Carbon/Stainless Steel			28620-x125	
Tungsten Carbide/SS hard faced				
<b>Flushed Mechanical Seal</b>				
Tungsten Carbide/SS hard faced				
Carbon/Stainless Steel				
<b>For models not listed above, consult distributor or factory, 'x' Substitute port code from table above</b>				
<b>Note : it is not recommended to start the pump at extremes of the temperature range, impeller damage may occur</b>				
<b>For Installation, Operating, Maintenance and Safety Instructions refer to form 43001-0543</b>				

**⚠ WARNING** Explosion hazard. Do not pump gasoline, solvents, thinners or other flammable liquids. To do so can cause an explosion resulting in injury or death.



† Pressures over 3.0 bar may reduce motor shaft life

Requires IEC motor with special 316 grade stainless steel shaft (see drawing). Foot and face to IEC B3/B14 frame size 132



### 28620 Series

Seal setting

Flushed Seal

Dimensions in mm For performance data refer to the 500 size flexible impeller pump performance curves

### Parts List

Key	Description	Qty	Part Number
2	Endcover	1	22007
3	O-Ring *	2	See right
4	Body	1	See right
5	Impeller*	1	See right
6	Wearplate	1	28606-0000
7	Motor Adaptor	1	22254-0010
8	Seal Assembly *	1	See right
9	O-Ring	1	X4020-269A
10	Adaptor Ring	1	28626-0000
11	Seal Housing	1	28512-0000
12	Tube	2	21844
13	Seal	1	SP2701-0916
14	Seal Sleeve	1	28627-0000
15	O-Ring	1	X4020-237A
16	Clamp Screw	1	21908
17	Clamp Frame	1	21909-0000

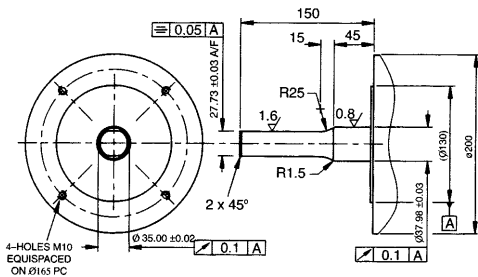
Parts marked \* Contained in service kit

### Spare Parts & Service Kits

Pressure Rating		Standard	High	
3	O-Ring	Nitrile	SP2000-1213	SP2000-1213
4	Impeller	3A Neoprene	8500-0005	21899-0005B
5	Body	Tri-Clamp	22004-1001	22004-1001
		IDF/ISS	22004-3001	22004-3001
		RJT	22004-4001	22004-4001
		Bevel Seat	22004-5001	22004-5001
		DIN	22004-6001	22004-6001
8	Seals	Std Mech.	SP6080-0382	SP6080-0382
		Hard Faced	SP3080-0390	SP6080-0390
Service Kit	3A Neoprene	SK395-0105	SK395-0125	

Models use Nitrile elastomers on seals and O-rings.

NOTE:- Service Kits contain standard mechanical seals. For hard faced seals, order parts separately.



### Other Available Options

Pedestal pumps, for higher pressure capability.

Jabsco



ITT Industries

USA

**Jabsco**  
20 Icon  
Foothill Ranch  
CA 92610

Tel : +1 949 859 4945  
Fax : +1 949 859 1153

UK

**Jabsco**  
Bingley Road  
Hoddesdon  
Hertfordshire, EN11 0BU

Tel : +44 (0) 1992 450 145  
Fax : +44 (0) 1992 467 132

GERMANY

**Jabsco GmbH**  
Oststraße 28  
22844 Norderstedt

Tel : +49 (0) 40 53 53 73 0  
Fax : +49 (0) 40 53 53 73 11