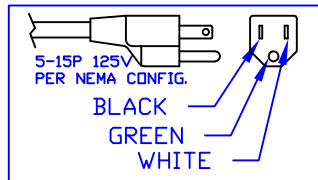
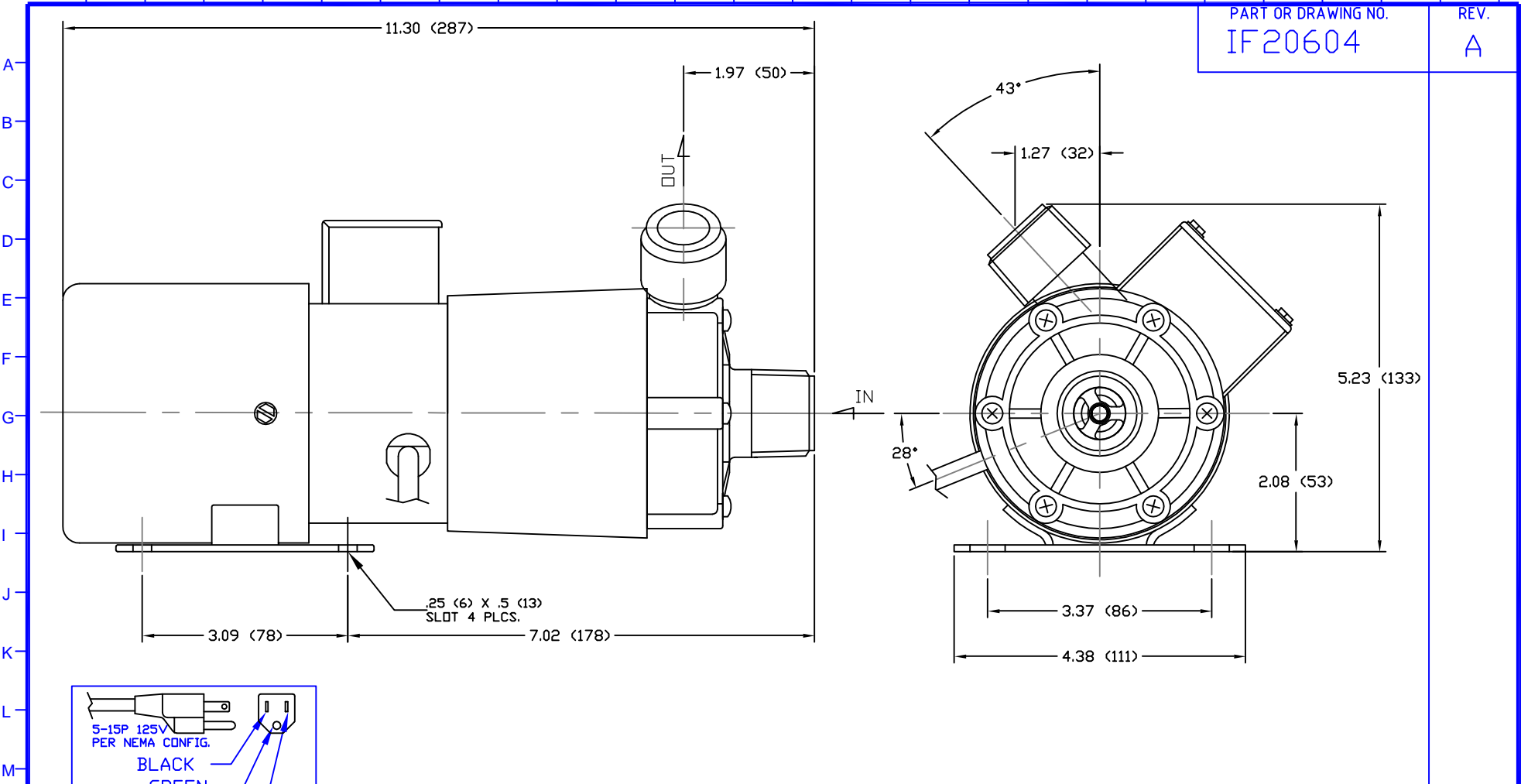


1 2 3 4 5 6 7 8 9 10 11 12 13 14 15 16 17 18 19 20 21 22 23 24 25

PART OR DRAWING NO.  
IF20604

REV.  
A



- NOTES:  
 1. DRAWING MAY VARY FROM ACTUAL PRODUCT  
 2. DRAWN TO SCALE  
 3. REFER TO SPECIFICATION C930913 AND MOTOR DRAWING 54214  
 4. DIMENSIONS ARE IN INCHES (MM).

SPECIFICATIONS	
MAX CAPACITY	22.4 GPM (84.8 LPM)
MAX HEAD	15.4 FT (4.7 M)
MAWP	9.95 PSI (.07 MPA)
VOLTAGE	115 VAC
CURRENT	1.9 A
CORD LENGTH	75 IN ± 2 IN (1.91 M ± .05 M)
WEIGHT	10 LBS (4.54 KG)
SUCTION	1 IN NPT - MALE
DISCHARGE	1 IN NPT - MALE

ECO#	DESCRIPTION	DATE	REV. LTR.
MATERIAL SEE CHART			
GJS	07 04 05	XXX	1
DRAWN	DAY	MO.	YR.
RELEASED		SHEET NO.	
		5 Boynton Rd. Hopping Brook Park Holliston, MA 01746 (508) 429-1440 <a href="http://www.lwakiAmerica.com">www.lwakiAmerica.com</a>	
TITLE MAG DRIVE PUMP WMD-40RLXT (115V)			

MATERIALS	
CASING	GFRPP
IMPELLER	GFRPP
SPINDLE	ALUMINA CERAMIC
BEARING	PTFE
THRUST RING	ALUMINA CERAMIC
O-RING	FKM

PART OR DWG. NO.  
IF20604

REV.  
A