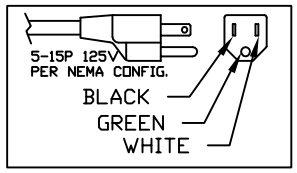
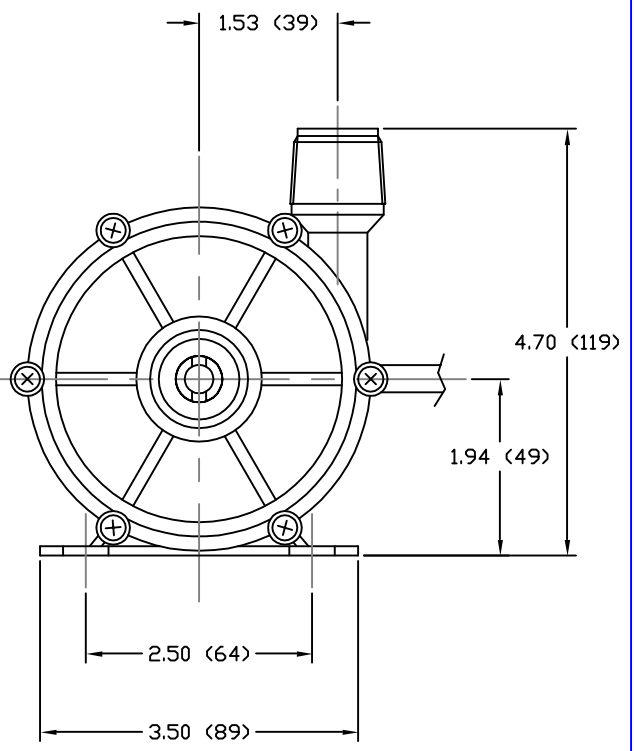
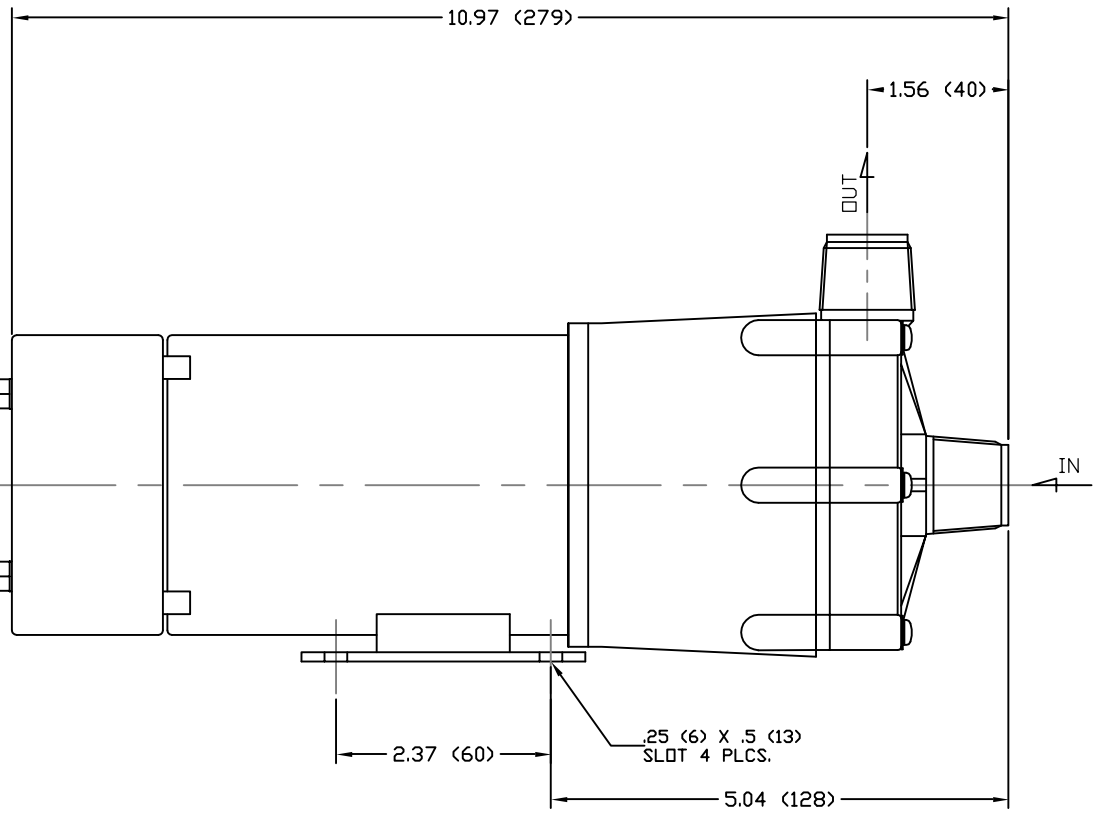


1 2 3 4 5 6 7 8 9 10 11 12 13 14 15 16 17 18 19 20 21 22 23 24 25

PART OR DRAWING NO.  
IF20602

REV.  
A

A  
B  
C  
D  
E  
F  
G  
H  
I  
J  
K  
L  
M  
N  
O  
P  
Q  
R  
S



- NOTES:
- DRAWING MAY VARY FROM ACTUAL PRODUCT.
  - DRAWN TO SCALE PER 2Z000411.
  - REFER TO DRAWING 54210 & 54221.
  - DIMENSIONS ARE IN INCHES (MM)

**MATERIALS**

CASING	GFRPP
IMPELLER	GFRPP
SPINDLE	ALUMINA CERAMIC
BEARING	PTFE
THRUST RING	ALUMINA CERAMIC
O-RING	FKM

**SPECIFICATIONS**

MAX CAPACITY	4.5 GPM (17 LPM)
MAX HEAD	36.1 FT (11 M)
MAWP	24.18 PSI (.17 MPA)
VOLTAGE	115 VAC
CURRENT	1.0 A
CORD LENGTH	72 IN ± 2 IN (1.83 M ± .05 M)
WEIGHT	9 LBS (4.08 KG)
SUCTION	3/4 IN NPT - MALE
DISCHARGE	3/4 IN NPT - MALE

ECO#	DESCRIPTION				DATE	REV. LTR.	
MATERIAL SEE CHART							
GJS	06	04	05	XXX	1	IF20602	
DRAWN	DAY	MO.	YR.	RELEASED	SHEET NO.		
			5 Boynton Rd. Hopping Brook Park Holliston, MA 01746 (508) 429-1440 <a href="http://www.IwakiAmerica.com">www.IwakiAmerica.com</a>				PART OR DWG. NO.
			TITLE MAG DRIVE PUMP WMD-30RLZT (115V)				
						A	

PART OR DWG. NO.  
IF20602

REV.  
A