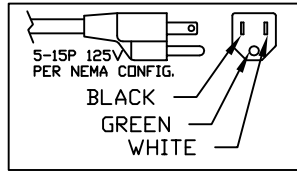
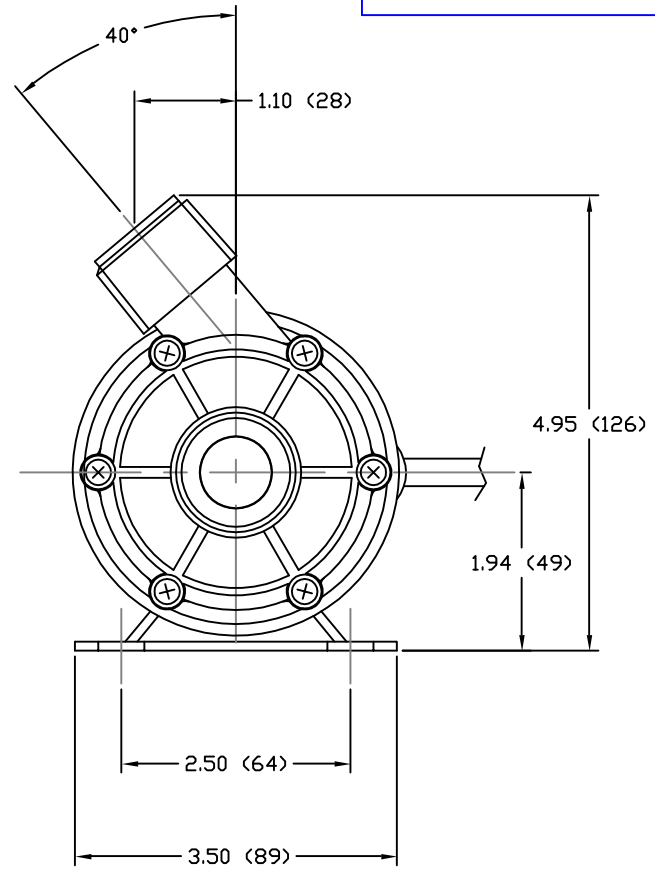
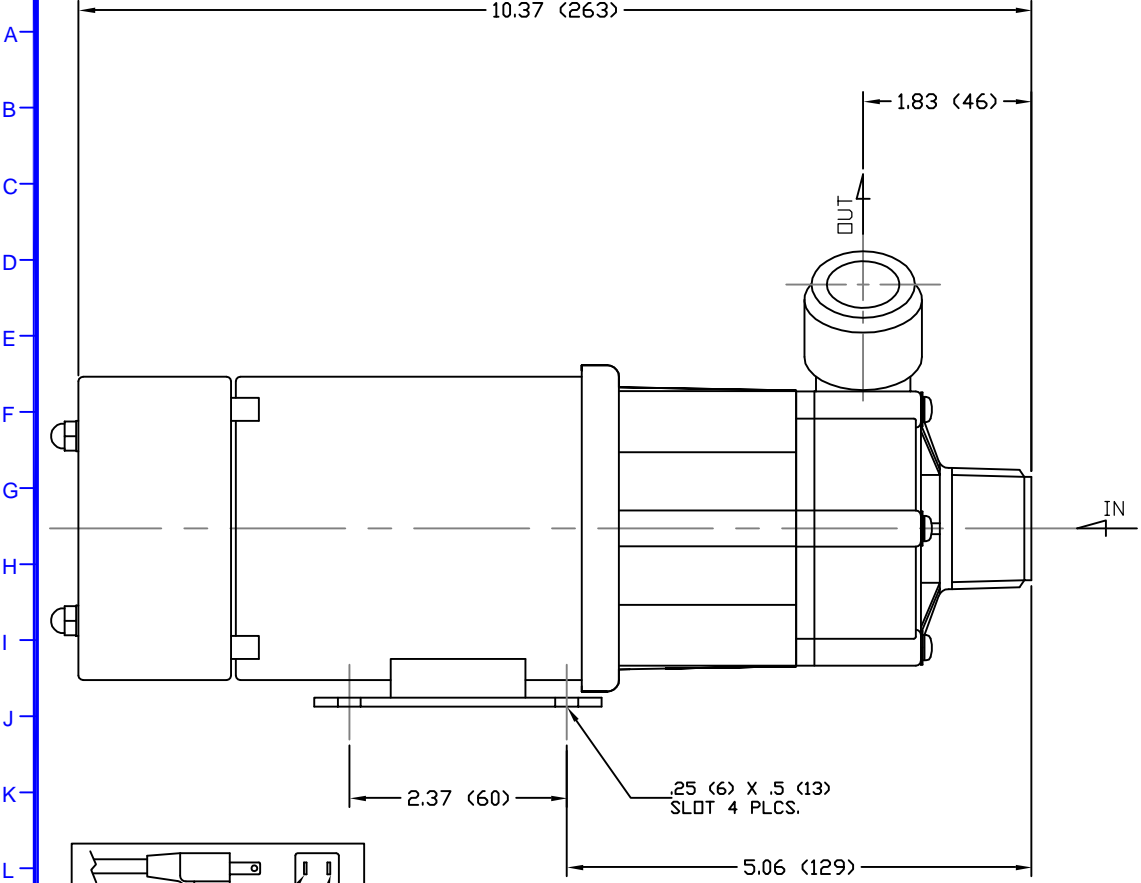


2 3 4 5 6 7 8 9 10 11 12 13 14 15 16 17 18 19 20 21 22 23 24 25

PART OR DRAWING NO.  
**IF20598**

REV.  
**A**




- NOTES:
1. DRAWING MAY VARY FROM ACTUAL PRODUCT.
  2. DRAWN TO SCALE PER 2Z000404.
  3. REFER TO DRAWING 54206 & 54218.
  4. DIMENSIONS ARE IN INCHES (MM).

**SPECIFICATIONS**

MAX CAPACITY	13.7 GPM (51.9 LPM)
MAX HEAD	8.2 FT (2.5 M)
MAWP	5.69 PSI (.04 MPA)
VOLTAGE	115 VAC
CURRENT	.5 A
CORD LENGTH	72 IN ± 2 IN (1.83 M ± .05 M)
WEIGHT	7 LBS (3.2 KG)
SUCTION	1 IN NPT - MALE
DISCHARGE	1 IN NPT - MALE

**MATERIALS**

CASING	GFRPP
IMPELLER	GFRPP
SPINDLE	ALUMINA CERAMIC
BEARING	PTFE
THRUST RING	ALUMINA CERAMIC
O-RING	FKM

ECO#	DESCRIPTION					DATE	REV. LTR.
MATERIAL							IF20598
SEE CHART							
GJS	04	04	05	XXX	1		
DRAWN		DAY	MO.	YR.	RELEASED	SHEET NO.	PART OR DWG. NO.
 <p>5 Boynton Rd. Hopping Brook Park Holliston, MA 01746 (508) 429-1440</p> <p>www.IwakiAmerica.com</p>							
TITLE							REV.
MAG DRIVE PUMP WMD-20RLXT (115V)							