

# SMD SERIES

## SELF PRIMING

## MAGNETIC DRIVE PUMP



The SMD Series pumps are non-metallic, magnetically driven and self-priming. SMD pumps have no mechanical seals or packing to maintain, which will provide years of trouble-free operation.

SMD Series pumps feature a patented pin point dry run bearing system enabling them to withstand the rigors of dry running, typically associated with self priming applications, and eliminating the fear of damaging a pump because of dry run.

SMD Series pumps also feature superior priming capabilities — up to 13 feet in less than 3 minutes ! The cutting-edge design of these revolutionary pumps requires them to be primed only once. When the prime has been established, it is held even after the pump is shut off, with no further need to re-prime the chamber.

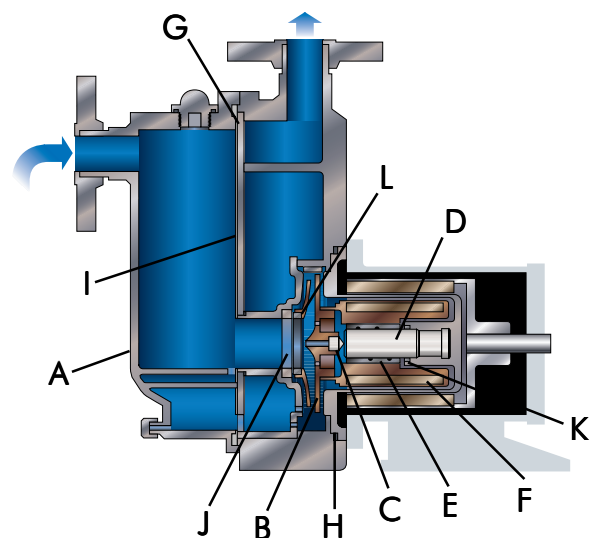
Wet-end Materials	
Name of Part	Material
A Front case	GFRPP
B Impeller	GFRPP
C Impeller thrust	Carbon
D Spindle	Alumina Ceramic or High Purity Alumina Ceramic
E Bearing	Carbon
F Magnet Capsule	PP
G Plate	PP
H O-Ring	FKM or EPDM
I Gasket	FKM or EPDM
J Liner ring	Alumina Ceramic
K Rear thrust	Alumina Ceramic
L Mouth ring	PTFE

### Pump identification

#### SMD - 401 CV 6u - D

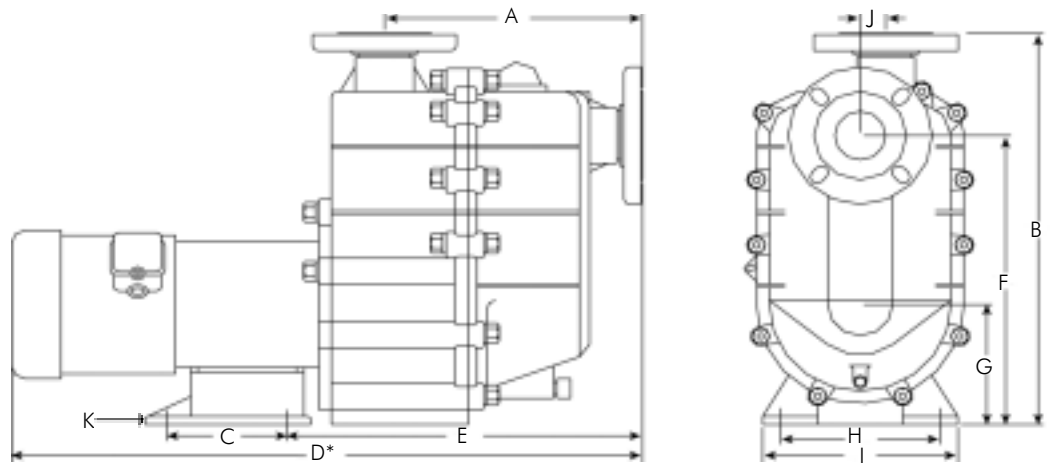
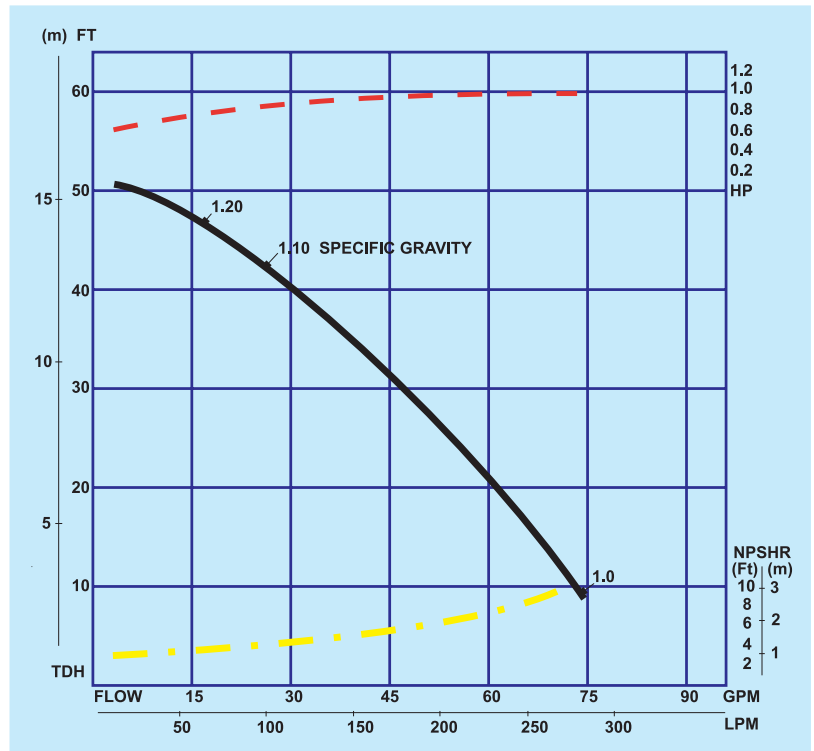
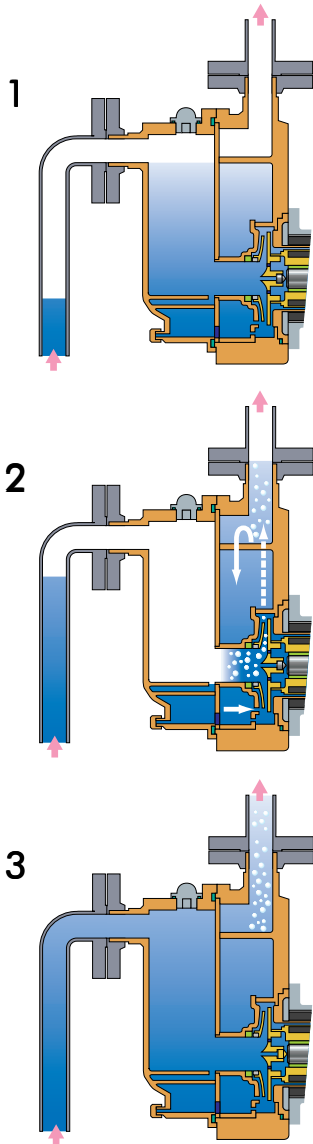
① ② ③ ④ ⑤

- ① Series
- ② Connection Sizes / Motor Output Symbol  
401: 1.5" Flange (Suction) x 1.5" Flange (Discharge) / 1.0 HP
- ③ Materials of Bearing / Spindle / O-ring  
CV: Carbon / Alumina Ceramic / FKM  
FV: Carbon / High Purity Alumina Ceramic / FKM
- ④ Impeller Symbol  
6u: For 60 Hz, NEMA Motor Mounting
- ⑤ Pinpoint Contact System  
D: Dry running operation for one hour is permissible



Model	Connection sizes	S.G. limit	Min flow / Max head	Standard capacity	Max Capacity	Motor	Self prime height limit
SMD-401CV6u-D	1.5 X 1.5	1.2	2.5 GPM / 52 ft.	52 GPM / 26 ft.	74 GPM	1.0 HP	13 ft.

## Principle of Self Priming



A	B	C	D**	E	F	G	H	I	J	K
8.35"	15.32"	5.12"	24.50"	11.95"	11.22"	4.53"	5.12"	6.32"	0.78"	.47 Dia.

\*\* "D" Dimension will vary w/motor mfgr.