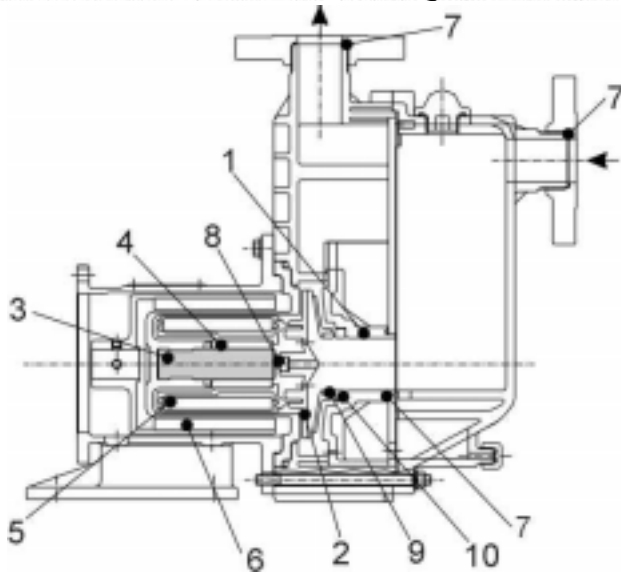




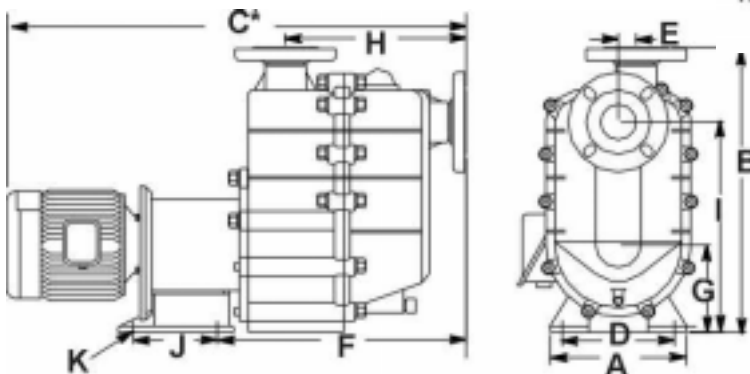
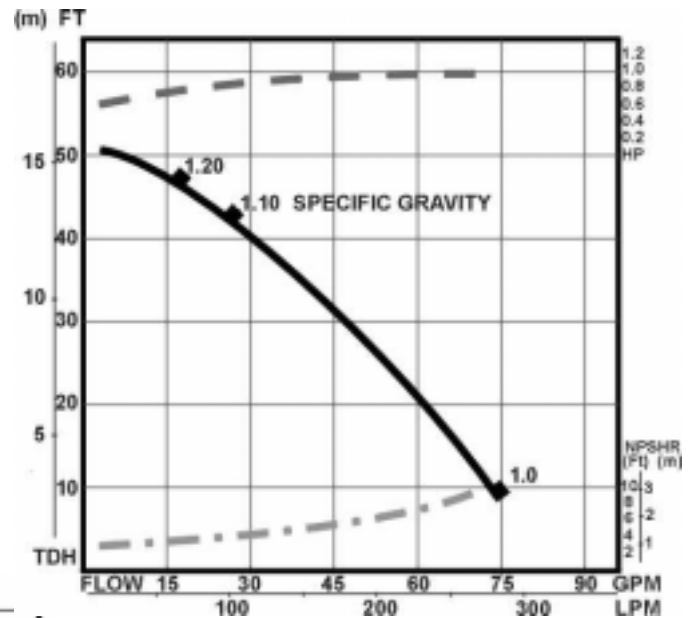
**IWAKI WALCHEM Corporation**

# SMD-401



- Superior Priming Capability – 13ft in less than 3 minutes!
- Patented Pinpoint Bearing System allows dry run operation
- Rare earth Neodymium magnets
- Compact design
- Flush grooves cool main bearing
- Mounts to standard NEMA C-faced motors
- Glass fiber reinforced polypropylene wetted parts

Part	Material
1 Front Casing	GFRPP
2 Impeller	
3 Spindle	Alumina Ceramic or High Purity Alumina Ceramic
4 Bearing	Carbon
5 Magnet capsule	PP
6 Drive Magnet	Ferrite
7 O-Ring	FKM or EPDM
8 Impeller thrust	Carbon
9 Mouth ring	PTFE
10 Front thrust	Alumina Ceramic or High Purity Alumina Ceramic



### Dimensions (inches) and Specifications

\* Will vary by motor manufacturer

A	B	D	E	F	G	H	I	J	K
6.32"	15.32"	5.12"	0.78"	11.95"	4.53"	8.35"	11.22"	5.12"	0.47" DIA
<b>Connection Sizes</b>	<b>Specific Gravity Limit</b>	<b>Min Flow/Max Head</b>		<b>Standard Capacit</b>		<b>Max Capacit</b>	<b>Motor</b>	<b>Self Prime Height Limit</b>	
1.5 x 1.5	1.2	2.5 GPM/52 ft.		52 GPM/26 ft.		74 GPM	1.0 HP	13 ft.	