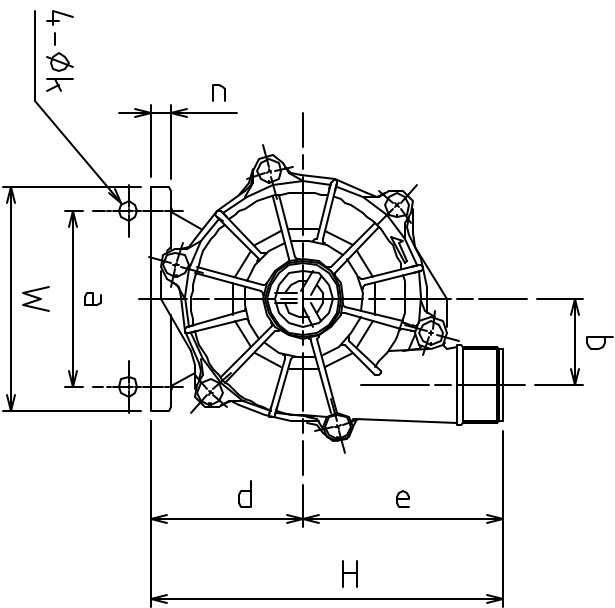
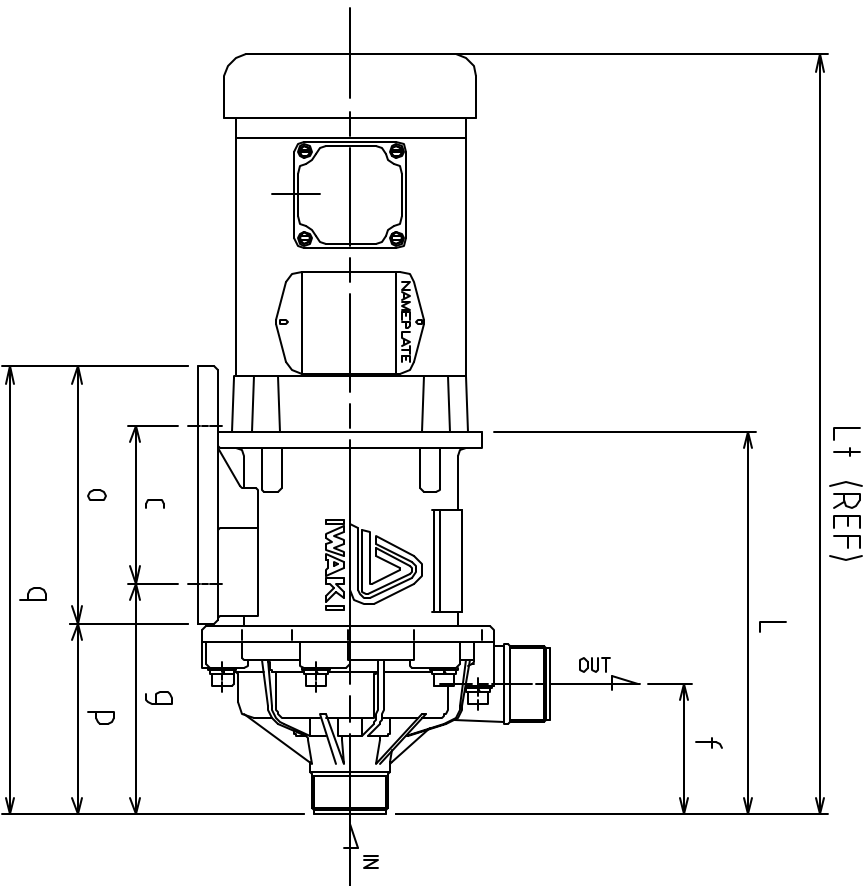


PART OR DRAWING NO.
IF20497

REV.
A



- NOTES:**
- 1) SHAPE OF PRODUCT ON DRAWING MAY DIFFER FROM ACTUAL. PRODUCT ON SOME POINTS.
 - 2) SOME DIMENSIONS MAY VARY.
 - 3) FLANGES AVAILABLE UPON REQUEST.
 - 4) PUMP DRAWN FROM Z2B402519.

MODEL	SUCTION	DISCHARGE
MX-IF1400	1.5" MNPT	1.5" MNPT

MODEL	HP/FRAME	W	H	L	L+ (REF)
MX-IF1400	.5/.75 / 56C	5.51	8.62	9.37	18.66

MIDDEL	a	b	c	d	e	f	g	k	n	o	p	q
MX-IF1400	4.33	2.13	3.86	3.74	4.88	3.19	5.67	.47	.47	6.30	4.69	10.98

ECU#	DESCRIPTION	DATE	REV. LTR.

MATERIAL	DESCRIPTION	DATE	REV. LTR.
GFRPP	IFRETFEI		

DRAWN	DAY	MO.	YR.	RELEASED	SHEET NO.
CJC	15	12	03		



Iwaki Walchem Corp.
 6 Boynton Rd.
 Hopkinton Brook Park
 Holliston, MA 01748
 www.IwakiWalchem.com (508)429-1440

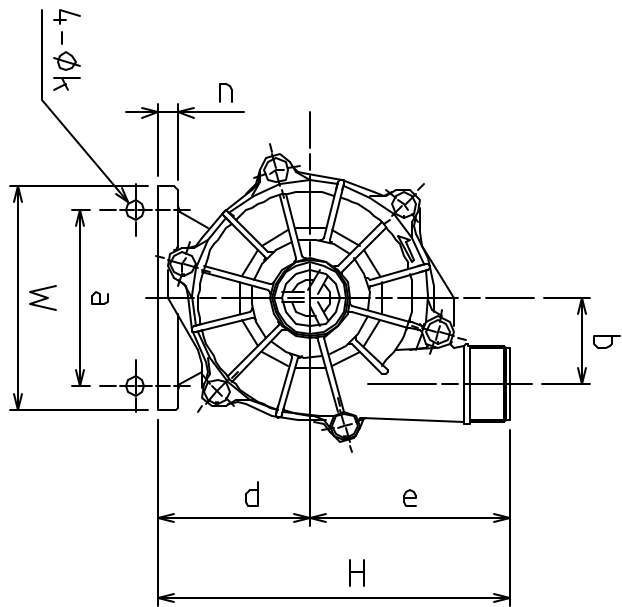
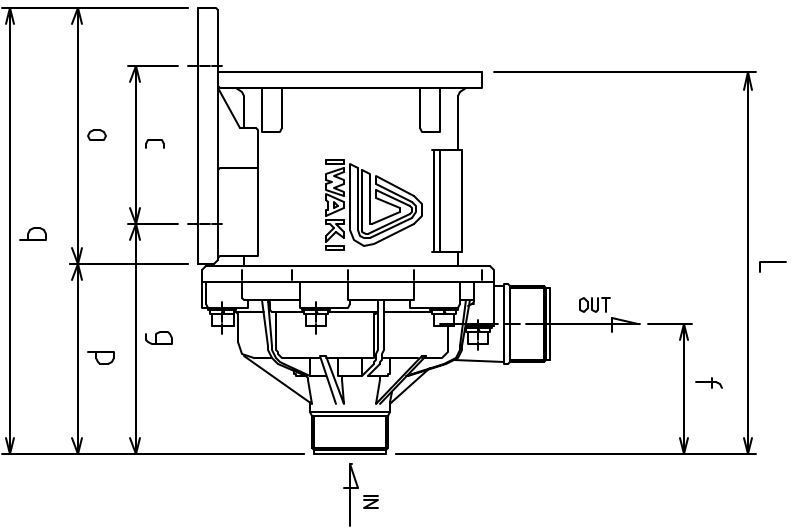
TITLE
 MX-(F)400
 .5/.75 HP / 56C FRAME

REV. A

PART DRAWG NO. MX-(F)400, 1

PART OR DRAWING NO.
IF20498

REV.
A



- NOTES:**
- 1) SHAPE OF PRODUCT ON DRAWING MAY DIFFER FROM ACTUAL. PRODUCT ON SOME POINTS.
 - 2) SOME DIMENSIONS MAY VARY.
 - 3) FLANGES AVAILABLE UPON REQUEST.
 - 4) PUMP DRAWN FROM Z2B402519.

MODEL	SUCTION	DISCHARGE
MX-IF400	1.5" MNPT	1.5" MNPT

MODEL	HP/FRAME	W	H	L
MX-IF400	.5/.75 / 56C	5.51	8.62	9.37

MIDDEL	a	b	c	d	e	f	g	k	n	o	p	q
MX-IF400	4.33	2.13	3.86	3.74	4.88	3.19	5.67	.47	.47	6.30	4.69	10.98

ECU#	DESCRIPTION	DATE	REV. L TR.

MATERIAL	DATE	REV. L TR.
GFRPP (CFRTEF)		

Iwaki Walchem Corp.
 6 Boynton Rd.
 Hopkinton Brook Park
 Holliston, MA 01748
 www.IwakiWalchem.com (508)429-1440

TITLE
 MX-(F)400
 .5/.75 HP / 56C FRAME

PART DOWNS NO.
 MX-(F)400, 2

REV.
 A