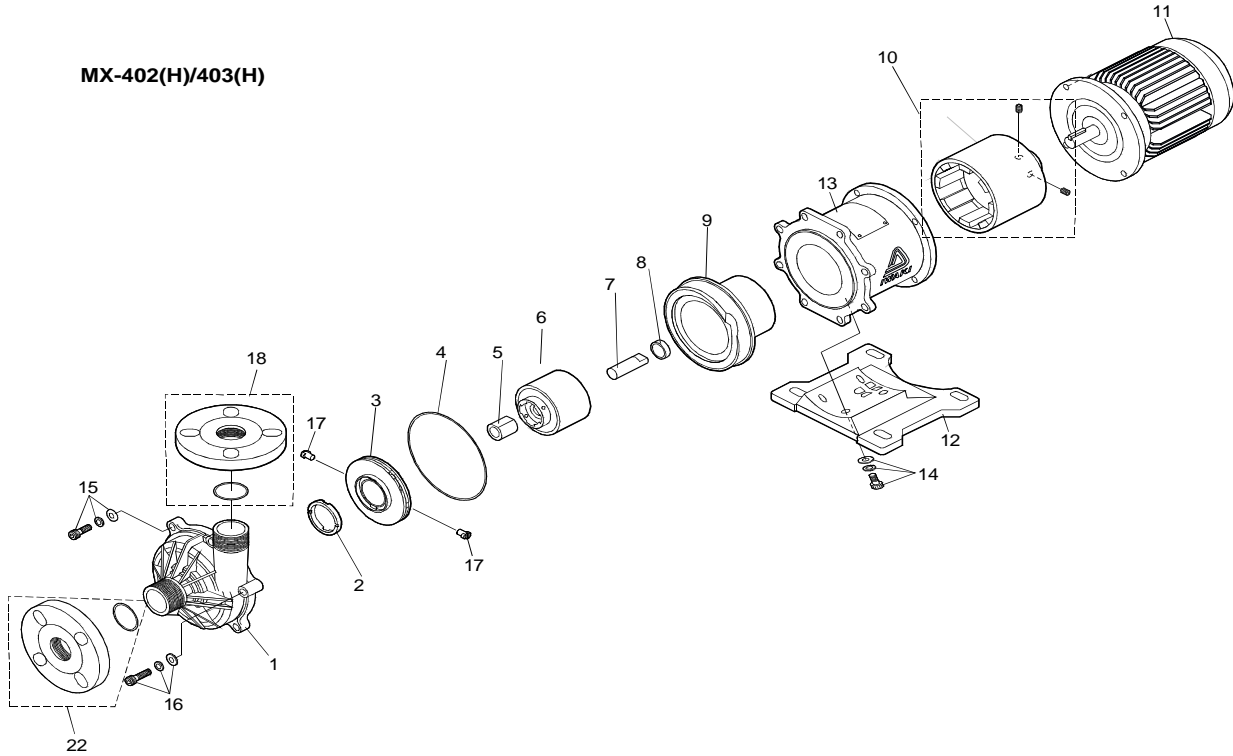


## MX (F) 402(H)- 403(H) Parts List

MX-402(H)/403(H)



**SHADED ITEMS ARE RECOMMENDED SPARE PARTS**

| Item #  | Part Number | Description   |
|---|-------------|---|
| <b>Item 1<br/>Front<br/>Casing</b>  | MX0404      | Casing, Front, MX-402/403, GFRPP/Alumina Ceramic        |
|   | MX0407      | Casing, Front MX-402H/403H, GFRPP/Alumina Ceramic       |
|   | MX0409      | Casing, Front, MX-F250/CF/RF/AF, CFRETFE/Al. Ceramic    |
|   | MX0410      | Casing, Front, MX-F250/KK, CFRETFE/SiC                  |
|   | MX0415      | Casing, Front, MX-F402/403CF/RF,CFRETFE,Al. Ceramic     |
|   | MX0416      | Casing, Front, MX-F402/403KK, CFRETFE/SiC               |
| <b>Item 2<br/>Mouth Ring</b>  | MX0303      | Thrust Collar, Front, Inboard, MX-(F)402/403CF/RF, PTFE |
|   | MX0484      | Mouth Ring, MX-F402/403KK, SiC                          |
| <b>Item 3<br/>Impeller<br/>specify<br/>impeller<br/>trim when<br/>placing<br/>order</b> | MX0305      | Impeller, MX-402__6, GFRPP                              |
|   | MX0320      | Impeller, MX-402H/403, GFRPP                            |
|   | MX0304      | Impeller, MX-403H, GFRPP                                |
|   | MX0486      | Impeller, MX-F402X, CFRETFE                             |
|   | MX0491      | Impeller, MX-F403X, CFRETFE                             |
| <b>Item 4<br/>Casing<br/>O-Ring</b>   | MX0180      | O-ring, Casing, MX-(F)402(H)/403(H), FKM                |
|   | MX0302      | O-ring, Casing, MX-(F)402(H)/403(H), EPDM               |
|   | MX0776      | O-ring, Casing, MX-(F)402(H)/403(H), Aflas®             |

### MX (F) 402(H)- 403(H) Parts List

| Item #  | Part Number | Description  |
|---|-------------|--|
| <b>Item 5&amp;6<br/>Magnet<br/>Capsule<br/>Assembly<br/>w/Bearing</b> | MX0178      | Magnet Cap Asm, MX-402CV/CE, GFRPP/Carbon                |
|   | MX0179      | Magnet Cap Asm, MX-402RV/RE, GFRPP/PTFE                  |
|   | MX0186      | Magnet Cap Asm, MX-403CV/CE, GFRPP/Carbon                |
|   | MX0187      | Magnet Cap Asm, MX-403RV/RE, GFRPP/PTFE                  |
|   | MX0453      | Magnet Cap Asm, MX-F402CF, CFRETFE/Carbon                |
|   | MX0454      | Magnet Cap Asm, MX-F402RF, CFRETFE/PTFE                  |
|   | MX0455      | Magnet Cap Asm, MX-F402KK, CFRETFE/SiC                   |
|   | MX0462      | Magnet Cap Asm, MX-F403CF, CFRETFE/Carbon                |
|   | MX0463      | Magnet Cap Asm, MX-F403RF, CFRETFE/PTFE                  |
|   | MX0464      | Magnet Cap Asm, MX-F403KK, CFRETFE/SiC                   |
| <b>Item 7<br/>Shaft</b>   | MX0182      | Shaft, MX-(F)402/403/CF/RF, Alumina Ceramic              |
|   | MX0456      | Shaft, MX-F402/403KK, SiC                                |
| <b>Item 8<br/>Rear Thrust</b>   | MX0183      | Thrust Collar,Rear,MX-402(H)/403(H)CV/RV/AV,CFRPEEK      |
|   | MX0457      | Thrust Collar, Rear, MX-F402/403,CFRPFA                  |
| <b>Item 9<br/>Rear Casing</b>   | MX0175      | Casing, Rear, MX-402/403, GFRPP                          |
|   | MX0189      | Casing, Rear, MX-402H/403H, GFRPP                        |
|   | MX0448      | Casing, Rear, MX-F402/403, CFRETFE                       |
| <b>Item 10<br/>Drive<br/>Magnet</b>                                   | MX0405      | Magnet Asm, Drive, MX-(F)402, NEMA, Neodymium            |
|   | MX0408      | Magnet Asm, Drive, MX(F)403, NEMA, Neodymium             |
| <b>Item 12<br/>Baseplate</b>  | MX0311      | Base, MX-(F)402-403(H), GFRPP                            |
| <b>Item 13<br/>Motor<br/>Adapter</b>                                  | MX0406      | Adapter, Motor, MX-(F)402(H)/403(H), DCI                 |
| <b>Item 14</b>  | MX0219      | Hex.head bolt w/PW,SW,MX(F)250-403(for base),M8x20       |
| <b>Item 15<br/>Casing Bolt</b>  | MDH0138     | Hex. Head Cap bolt, MX-(F)402(H)/F403H, M8X35, Req'd (7) |
| <b>Item 16<br/>Long<br/>Casing Bolt</b>                               | MX0313      | Hex. Head Cap bolt, MX-(F)402(H)/F403H, M8X35, Req'd (1) |
| <b>Item 17</b>  | MX0308      | Pin, Impeller, MX-402(H)/03(H), CFRPPS                   |
|   | MX0489      | Pin, Impeller, MX-F402/403, CFRETFE                      |