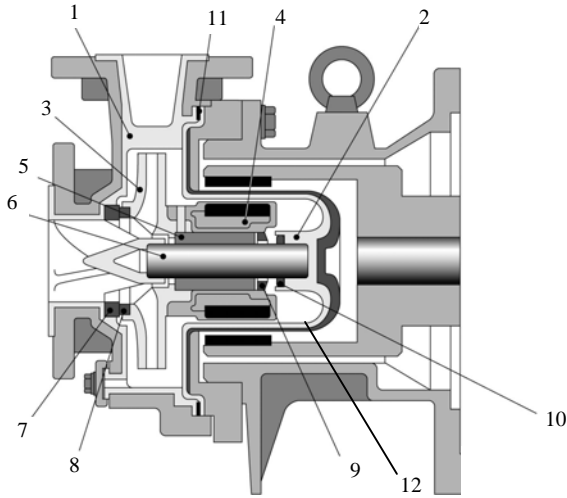


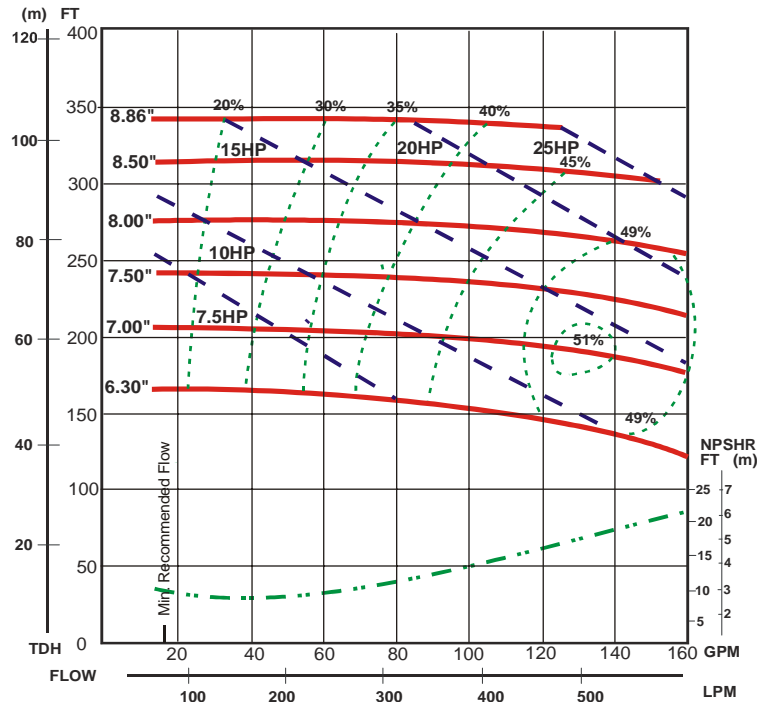


MDM-2158 25HP



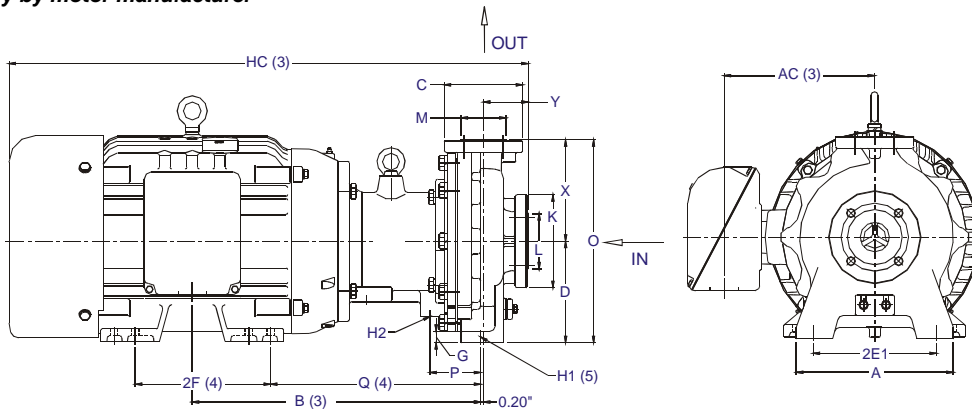
- ❑ Exceeds ANSI Performance standards
- ❑ Simple, rugged, modular design
- ❑ Dual back pull-out
- ❑ Alpha sintered SiC bearing system

| Part | Material | |
|--------------------------------|--|---------|
| | EKK | PKK |
| 1 Front casing | CFRETFE (carbon fiber reinforced ETFE) | PFA |
| 2 Containment shell | | |
| 3 Impeller | SiC | |
| 4 Inner magnet assy | | |
| 5 Bearing | | |
| 6 Shaft | | |
| 7 Front outboard thrust collar | | |
| 8 Front inboard thrust collar | PTFE (filler charged) | PTFE |
| 9 Rear inboard thrust collar | | |
| 10 Rear outboard thrust collar | PTFE | Kevlar® |
| 11 Gasket | | |
| 12 Support | | |



Dimensions (inches) and Specifications

Note: Will vary by motor manufacturer



| A | AC(3) | B(3) | D | 2E1 | 2F(4) | G | H1(5) | H2 | H3(4) | HC(3) | O | P | Q(4) | X | Y | |
|-----------|-------|-------|------------------|------|-------------------|------|-------------------|-----------|--------------|-------|--------------|------|-------|------|------|------|
| 11.02 | 10.56 | 20.27 | 7.00 | 8.66 | 9.50/11.00 | 0.70 | 0.55 | 3/8-16UNC | 0.52 | 36.50 | 14.09 | 3.58 | 14.77 | 7.09 | 3.15 | |
| HP/Frame | | | Connection Sizes | | Min Flow/Max Head | | Standard Capacity | | Max Capacity | | Pump Weight* | | K | L | C | M |
| 25/284TSC | | | 2 x 1.5 | | 13/343 | | 125 | | 160 | | 165 | | 6.50 | 3.86 | 5.51 | 3.15 |

*Pump end only. Does not include motor.