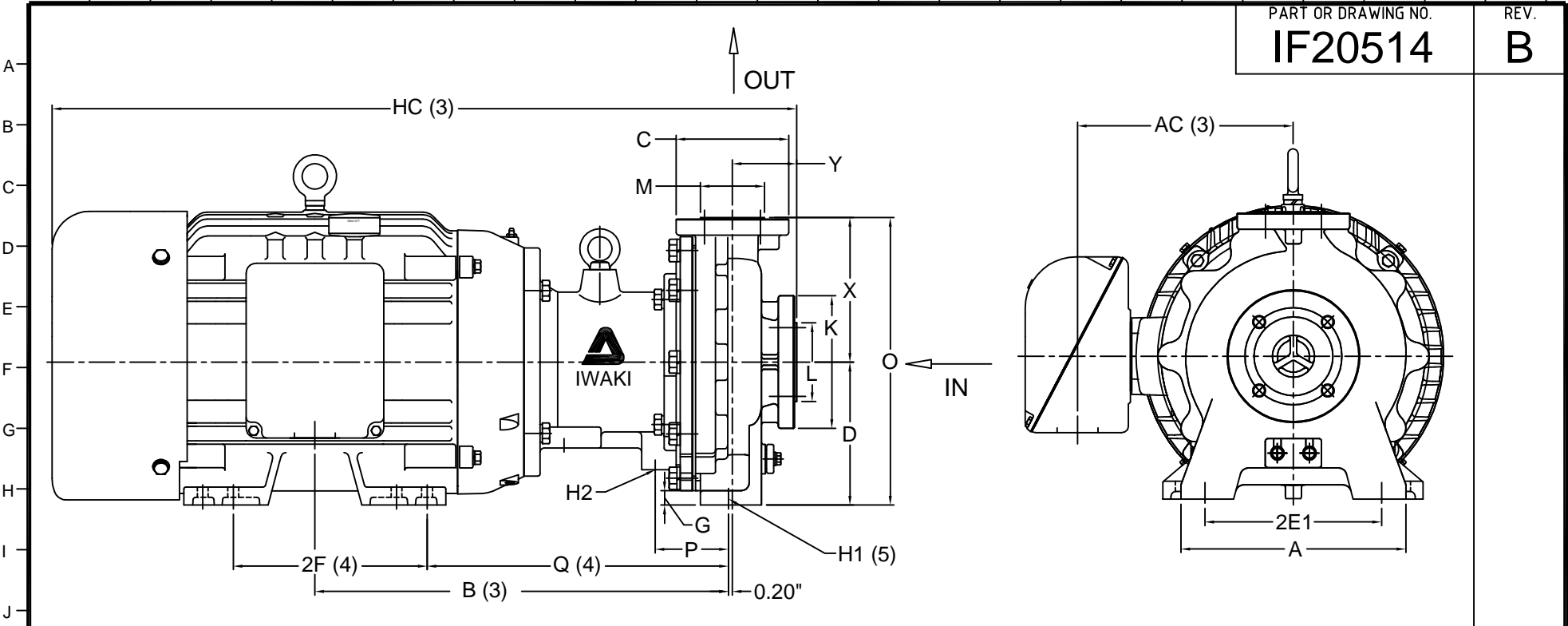


PART OR DRAWING NO. **IF20514** REV. **B**



PUMP DIMENSIONS (1)															
A	AC (3)	B (3)	D	2E1	2F (4)	G	H1 (5)	H2	H3 (4)	HC (3)	O	P	Q (4)	X	Y
11.02"	10.56"	20.27"	7.00"	8.66"	9.50"/11.00"	0.70"	0.55"	3/8"-16 UNC	0.52"	36.50"	14.09"	3.58"	14.77"	7.09"	3.15"

MODEL	HP/ FRAME	PUMP FLANGES (2)		DIMENSIONS			
		SUCTION	DISCHARGE	K	L	C	M
<b>MDM-2158</b>	<b>25/284TSC</b>	2"	1 1/2"	6.50"	3.86"	5.51"	3.15"

10622 CENTERLINE HEIGHT CHANGED TO 7.00"				9/7/04		B	
ECO#		DESCRIPTION			DATE		REV. LTR.
PUMP WEIGHT		WET-END/BEARING MATERIALS					IF20514
165 LB		CFRETFE OR PFA W/SIC					
EDT	12	07	04	CJC	1		PART OR DWG. NO.
DRAWN	DAY	MO.	YR.	RELEASED	SHEET NO.		

**NOTES AND REFERENCES:**

- (1) ALL DIMENSIONS IN INCHES. ALL TOLERANCES ±.125", CONSULT IWAKI AMERICA FOR MORE DETAILS.
- (2) BOLT HOLE LOCATIONS OF SUCTION AND DISCHARGE FLANGES CONFORM TO ANSI B16.5 150 LB STANDARD. THE 1.5" AND 2" FLANGE BOLT HOLES HAVE 1/2" -13 AND 5/8"-11 UNC THREADS RESPECTIVLY.
- (3) DIMENSION MAY VARY BASED ON MOTOR MANUFACTURER.
- (4) NEMA MG 1-1993, PART 4 USED FOR REFERENCE.
- (5) SLOTS ARE OPEN ENDED TO REAR OF FRAME.
- 6 DRAWN PER 52B402902 (MDM2158\_KKF25A-\_2)

5 Boynton Rd.  
Hopping Brook Park  
Holliston, MA 01746  
(508) 429-1440  
www.IwakiAmerica.com

TITLE **MDM-2158 (25 HP)**  
Dimensional Drawing

REV. **B**