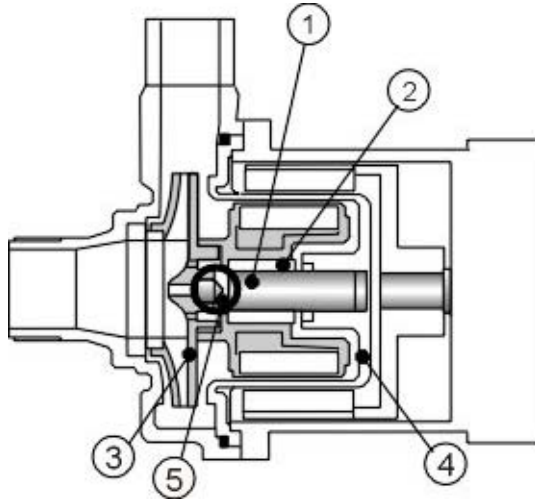




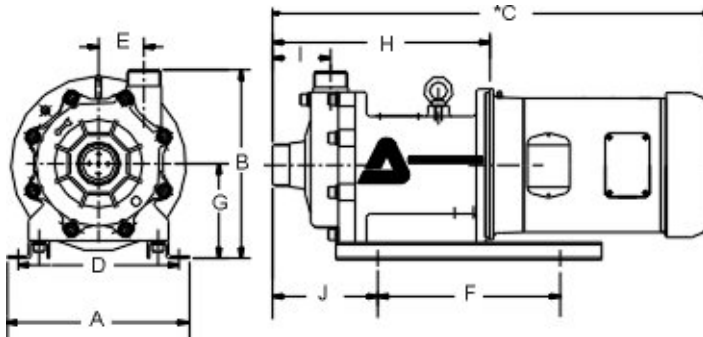
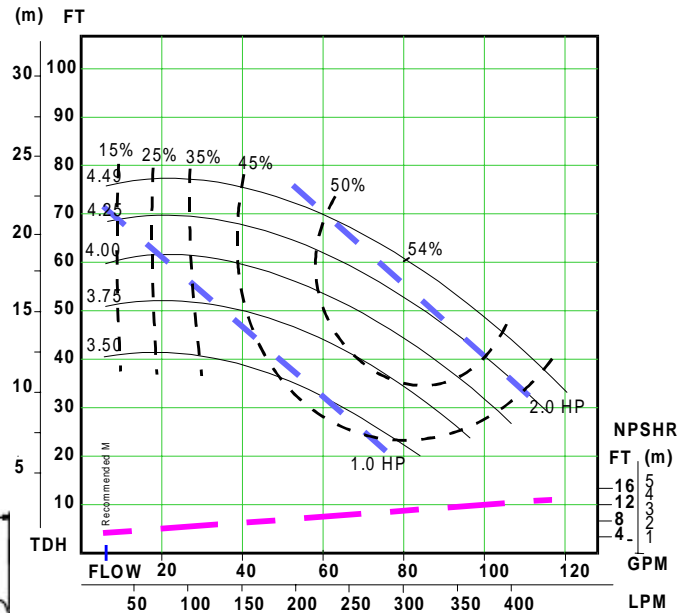
IWAKI WALCHEM Corporation

MDH-F423



- Patented Pinpoint Bearing System allows dry run operation
- Rare earth Neodymium magnets
- Compact design
- Flush grooves cool main bearing
- Mounts to standard NEMA C-faced motors
- Carbon fiber reinforced fluoroplastic wetted parts

Part	Material
1 Spindle	Alumina Ceramic, 316 SS
2 Bearing	Carbon, Alumina Ceramic
3 Impeller	CFETFE
4 Rear Casing	CFETFE
5 Pinpoint Bearing System	Alumina Ceramic



Dimensions (inches) and Specifications

* Will vary by motor manufacturer

HP	NEMA	A	B	C*	D	E	F	G	H	I	J
3	145TC	10.24	9.81	21.23	8.19	2.56	7.87	4.53	11.26	3.27	5.83
Connection Sizes	Motor Output (hp)	Motor Speed (rpm)	Max Flow (gpm)	Max Head (ft)	Working Pressure (psi)	Specific Gravity	Weight Pump Only (lbs)				
2 x 1½	3	3500	120	77	43	1.2	35				