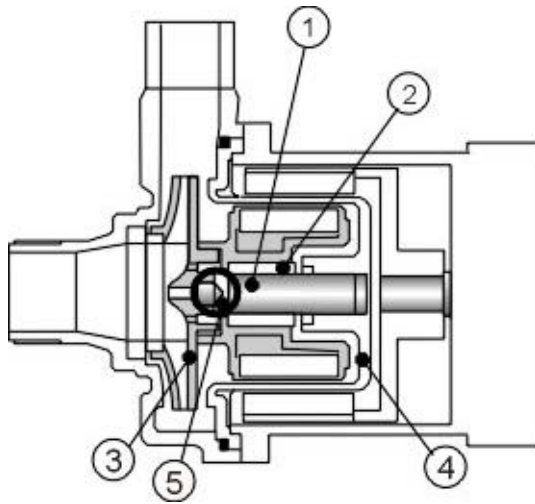




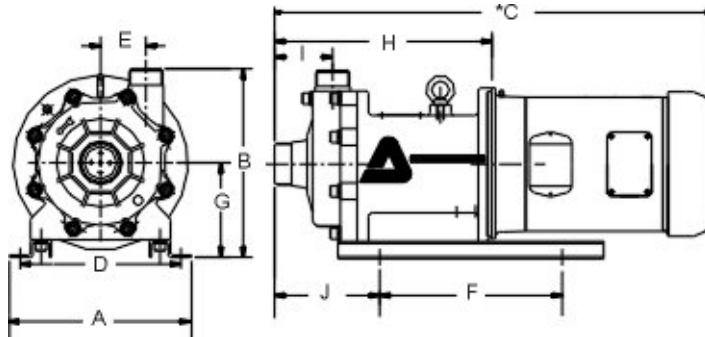
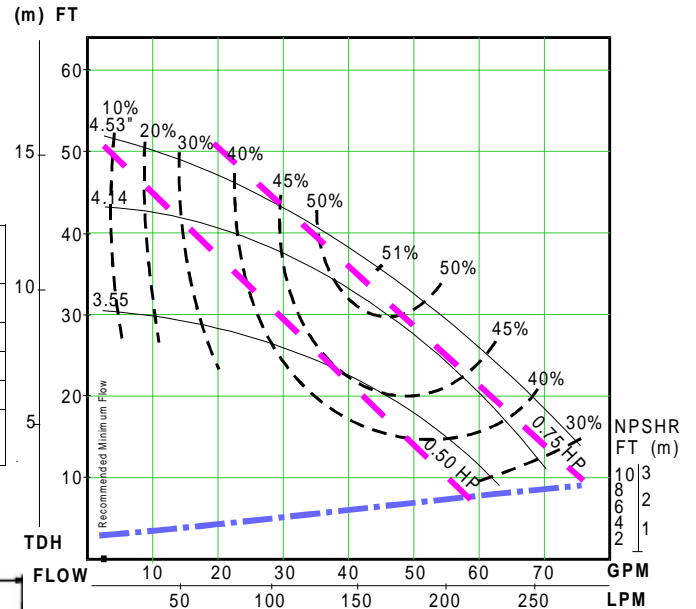
IWAKI WALCHEM Corporation

MDH-F401



- Patented Pinpoint Bearing System allows dry run operation (with CV models only)
- Flush grooves cool main bearing
- Mounts to standard NEMA motors
- Carbon fiber reinforced ETFE wetted parts

Part	Material
1 Spindle	Alumina Ceramic
2 Bearing	Alumina Ceramic, Carbon
3 Impeller	ETFE
4 Rear Casing	ETFE
5 Pinpoint Bearing System	Alumina Ceramic, Carbon



Dimensions (inches) and Specifications

* Will vary by motor manufacturer

HP	NEMA	A	B	C*	D	E	F	G	H	I	J
1½	56C	6.30	9.76	21.38	5.12	2.26	5.12	4.53	11.50	3.84	7.01
Connection Sizes		Motor Output (hp)	Motor Speed (rpm)	Max Flow (gpm)	Max Head (ft)	Working Pressure (psi)	Specific Gravity	Weigh Pump Only (lbs)			
1½ x 1½		1½	3600	92	70	34	1.2	24			