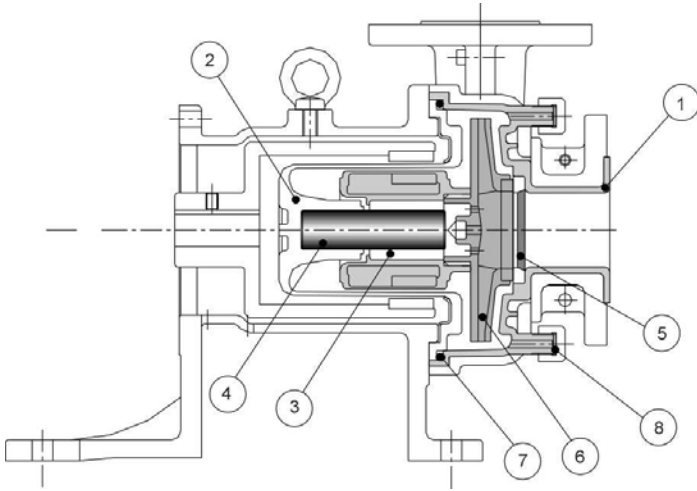
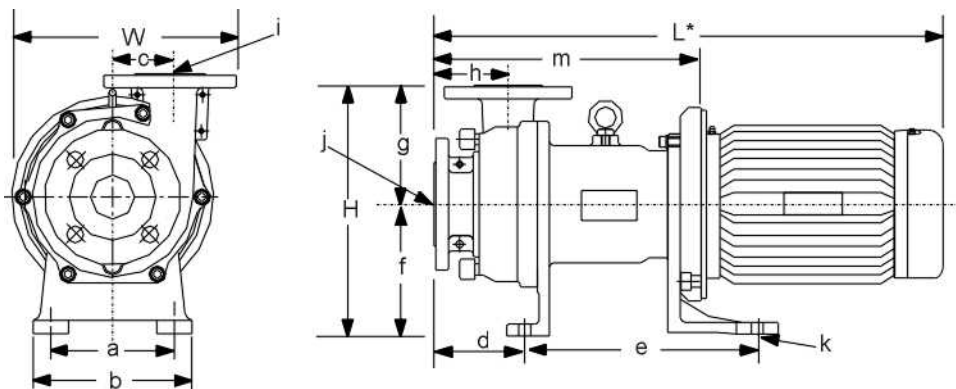
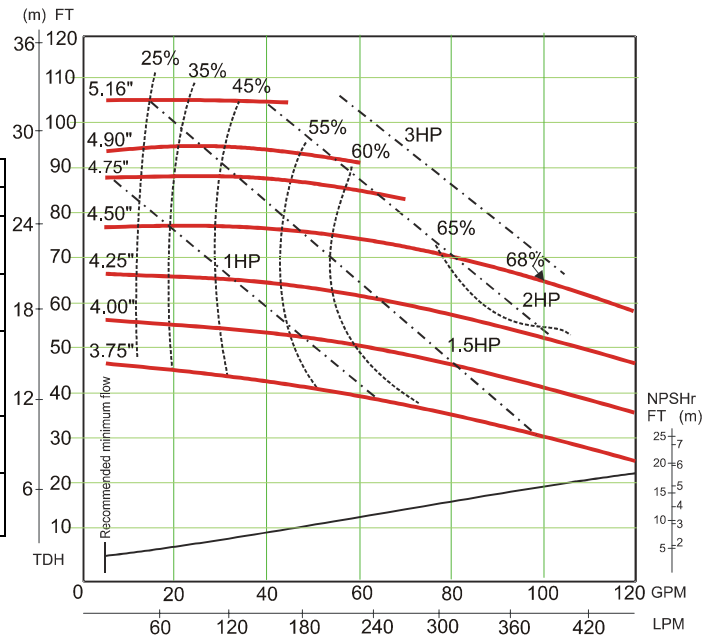


MDF-L423



- Patented Pinpoint Bearing System allows dry run operation (CF models only)
- Compact design
- Corrosion resistant ETFE internals
- Precision injection molded, individually replaceable, linear components for simple on-site maintenance

Part	Material	
	CF	AA
1 Casing Liner	20% carbon reinforced fluoroplastic	
2 Containment shell	ETFE	
3 Bushing	High density carbon	99.8% alumina ceramic
4 Shaft	99.8% alumina ceramic	
5 Thrust collar, inboard	99.8% alumina ceramic	
6 Impeller	20% carbon reinforced fluoroplastic	
	ETFE	
7 O-ring	FKM / EPDM / AFLAS	
8 Gasket	FKM / EPDM / AFLAS	



Dimensions (inches) and Specifications

* Will vary by motor manufacturer

a	b	c	d	e	f	g	h	i	j	m	k	W	H	L
5.51	7.09"	2.56"	4.17"	10.83"	6.10"	5.51"	3.43"	1.50"	2.00"	12.36"	0.55"	10.07"	11.61"	23.79"
Connection Sizes		Min Flow/Max Head			Standard Capacity			Max Capacity		Motor / Frame		Pump Weight		
2 x 1.5		5.3 GPM / 105 ft.			100 GPM / 65 ft.			120 GPM		3 HP / 182TC		68 lbs.		