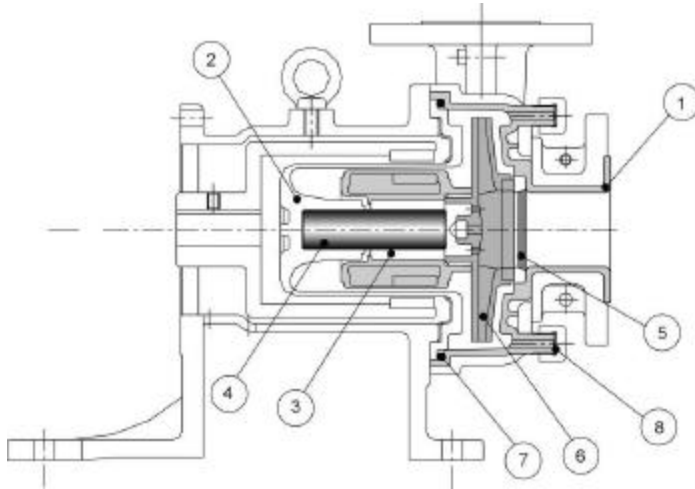




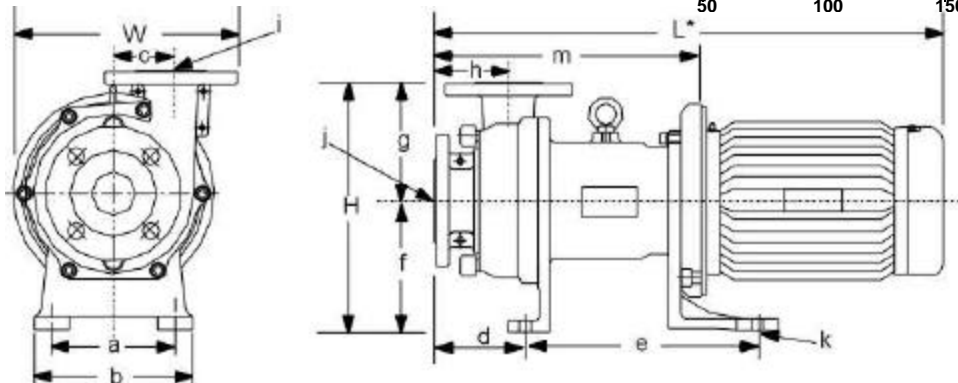
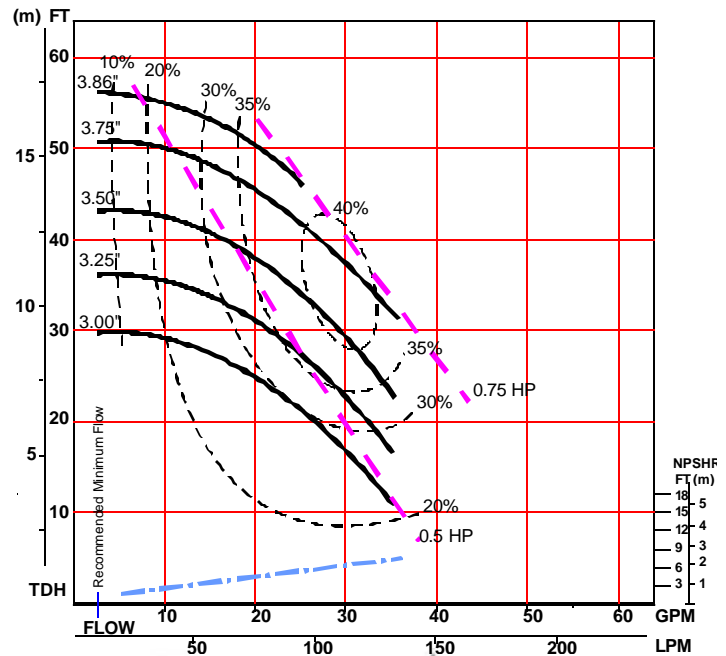
IWAKI WALCHEM Corporation

MDF-L250



- Patented Pinpoint Bearing System allows dry run operation (CF models only)
- Compact design
- Corrosion resistant ETFE internals
- Precision injection molded, individually replaceable, liner components for simple on site maintenance

| Part | Material | |
|--------------------------|--|-----------------------|
| | CF | AA |
| 1 Casing Liner | 20% carbon reinforced fluoroplastic | |
| 2 Containment shell | ETFE | |
| 3 Bushing | High density carbon | 99.8% alumina ceramic |
| 4 Shaft | 99.8% alumina ceramic | |
| 5 Thrust collar, inboard | | |
| 6 Impeller | 20% carbon reinforced fluoroplastic ETFE | |
| 7 O-ring | FKM / EPDM / AFLAS | |
| 8 Gasket | | |



Dimensions (inches) and Specifications

* Will vary by motor manufacturer

| a | b | c | d | e | f | g | h | i | j | m | k | W | H | L |
|------------------|------|-------------------|------|------|-------------------|------|--------------|------|---------------|------|-------------|------|------|-------|
| 4.3" | 5.9" | 2.0" | 3.7" | 5.6" | 4.5" | 4.8" | 3.5" | 1.0" | 1.0" | 9.1" | 0.47" | 8.1" | 9.3" | 17.3" |
| Connection Sizes | | Min Flow/Max Head | | | Standard Capacity | | Max Capacity | | Motor / Frame | | Pump Weight | | | |
| 1 x 1 | | 2.5 GPM/55 ft. | | | 30 GPM/ 35 ft. | | 35 GPM | | ¾ HP / 56C | | 31 lbs. | | | |