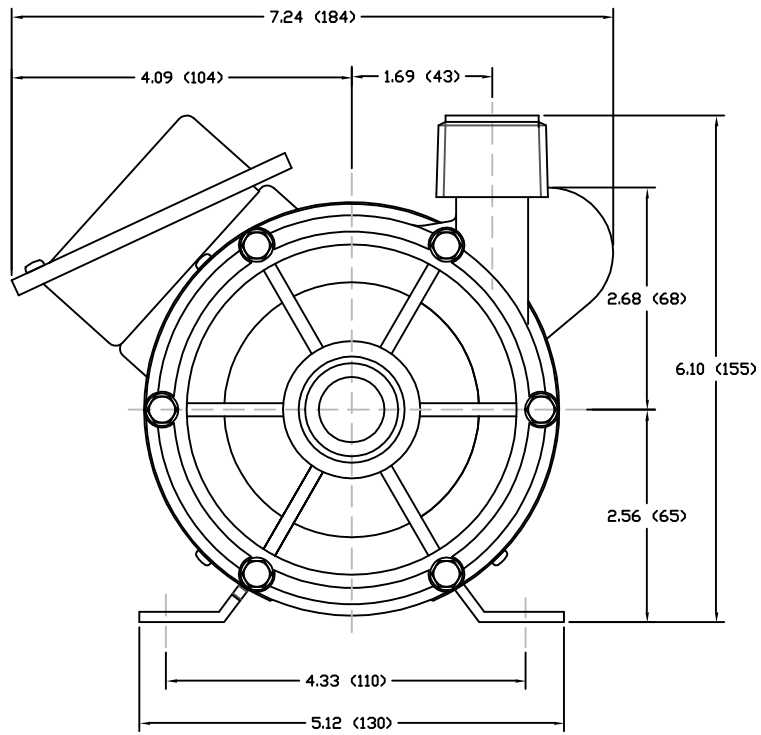
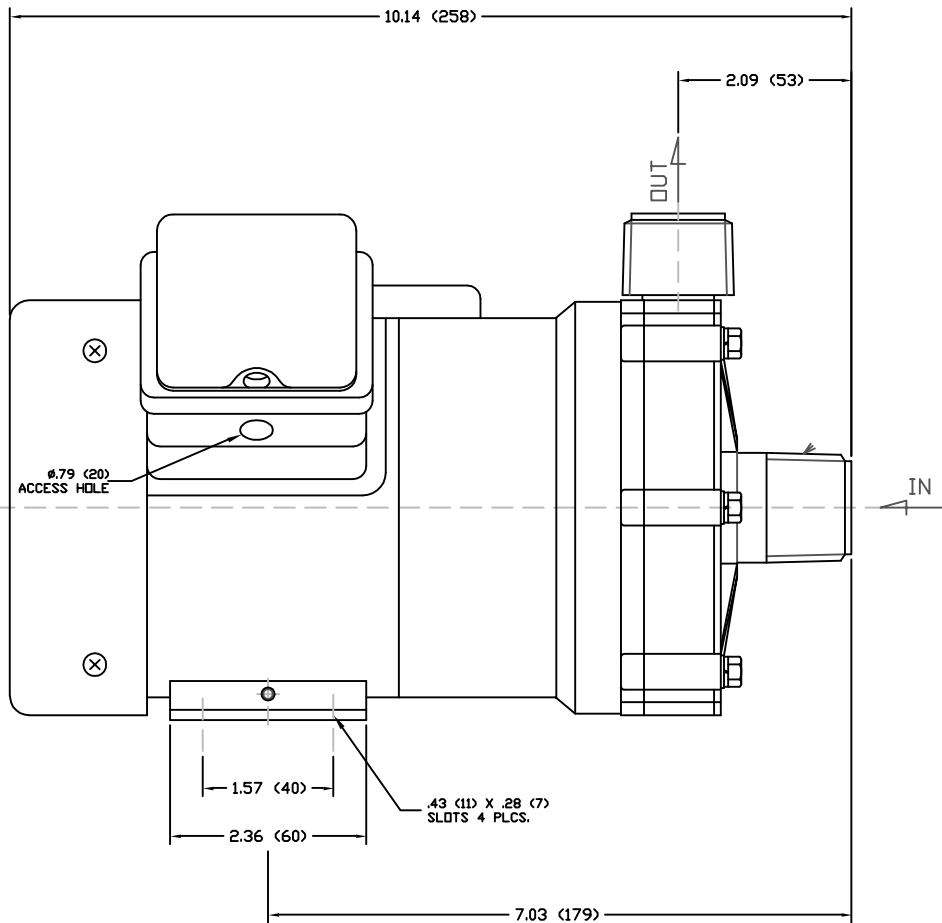


1 2 3 4 5 6 7 8 9 10 11 12 13 14 15 16 17 18 19 20 21 22 23 24 25

PART OR DRAWING NO. IF20577 REV. A

A
B
C
D
E
F
G
H
I
J
K
L
M
N
O
P
Q
R
S




NOTES:
1. DRAWING MAY VARY FROM ACTUAL PRODUCT
2. DRAWN FROM 2Z000419 TO SCALE.
3. REFER TO SPECIFICATION 2H042.
4. DIMENSIONS ARE IN INCHES (MM).

SPECIFICATIONS

MAX CAPACITY	25.6 GPM (97 LPM)
MAX HEAD	31.8 FT (9.7 M)
MAWP	21.8 PSI (.15 MPA)
VOLTAGE	220/240 VAC
CURRENT	1.21/1.64 A
CORD LENGTH	N/A
WEIGHT	13.2 LBS (6 KG)
SUCTION	1 IN NPT - MALE
DISCHARGE	1 IN NPT - MALE

MATERIALS

CASING	GFRPP
IMPELLER	GFRPP
SPINDLE	ALUMINA CERAMIC
BEARING	PTFE
THRUST RING	ALUMINA CERAMIC
O-RING	FKM

ECO#	DESCRIPTION	DATE	REV. LTR.
MATERIAL SEE CHART			
GJS	04 03 05	XXX	1
DRAWN	DAY MO. YR.	RELEASED	SHEET NO.
 www.IwakiAmerica.com		5 Boynton Rd. Hopping Brook Park Holliston, MA 01746 (508) 429-1440	
TITLE			REV.
MAG DRIVE PUMP MD-70RT (220/240)			A

PART OR DWG. NO. IF20577