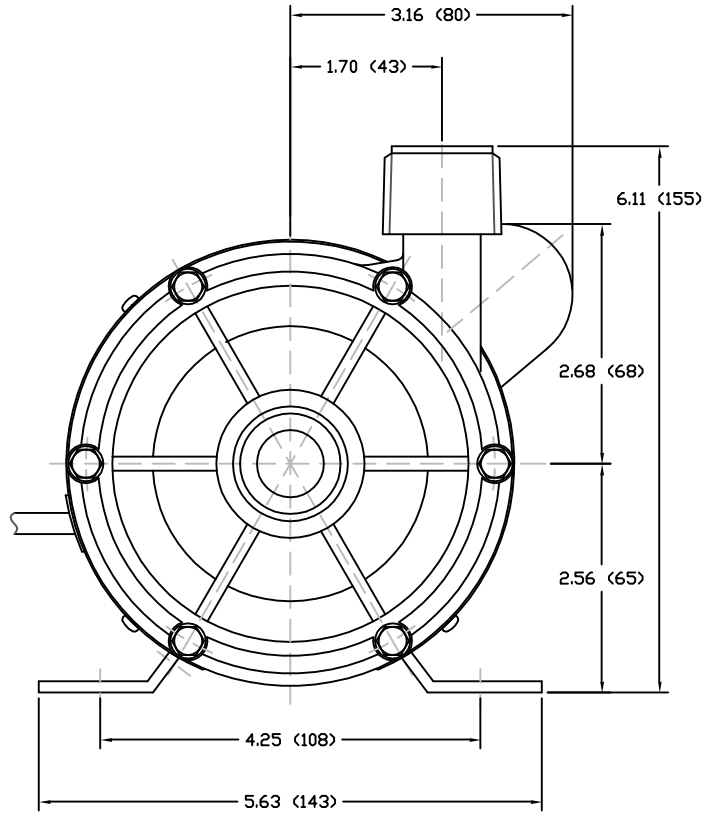
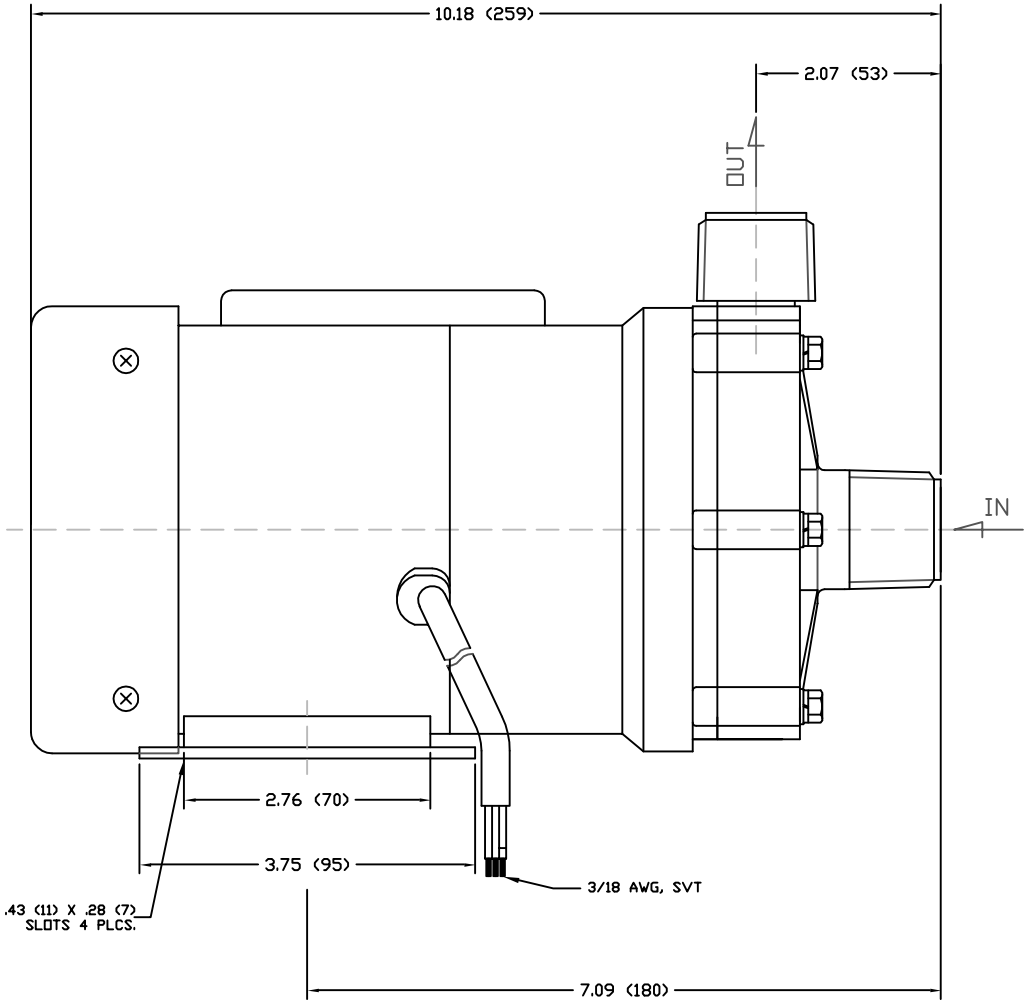


1 2 3 4 5 6 7 8 9 10 11 12 13 14 15 16 17 18 19 20 21 22 23 24 25

PART OR DRAWING NO. **IF20576** REV. **A**

A
B
C
D
E
F
G
H
I
J
K
L
M
N
O
P
Q
R
S




.43 (11) X .28 (7)
SLOTS 4 PLCS.

- NOTES:
 1. DRAWING MAY VARY FROM ACTUAL PRODUCT
 2. DRAWN FROM 2Z000388 TO SCALE.
 3. REFER TO SPECIFICATION C910659.
 4. DIMENSIONS ARE IN INCHES (MM).

SPECIFICATIONS	
MAX CAPACITY	25.6 GPM (96.9 LPM)
MAX HEAD	31.8 FT (9.7M)
MAWP	21.33 PSI (.15 MPA)
VOLTAGE	115 VAC
CURRENT	2.8 A
CORD LENGTH	39.4 IN (1 M)
WEIGHT	13.2 LBS (6 KG)
SUCTION	1 IN NPT - MALE
DISCHARGE	1 IN NPT - MALE

MATERIALS

CASING	GFRPP
IMPELLER	GFRPP
SPINDLE	ALUMINA CERAMIC
BEARING	PTFE
THRUST RING	ALUMINA CERAMIC
O-RING	FKM

ECO#	DESCRIPTION	DATE	REV. LTR.
MATERIAL SEE CHART			
GJS	04 03 05	XXX	1
DRAWN	DAY MO. YR.	RELEASED	SHEET NO.
 www.IwakiAmerica.com		5 Boynton Rd. Hopping Brook Park Holliston, MA 01746 (508) 429-1440	
TITLE			
MAG DRIVE PUMP MD-70RLT (115V)			

PART OR DWG. NO. **IF20576** REV. **A**