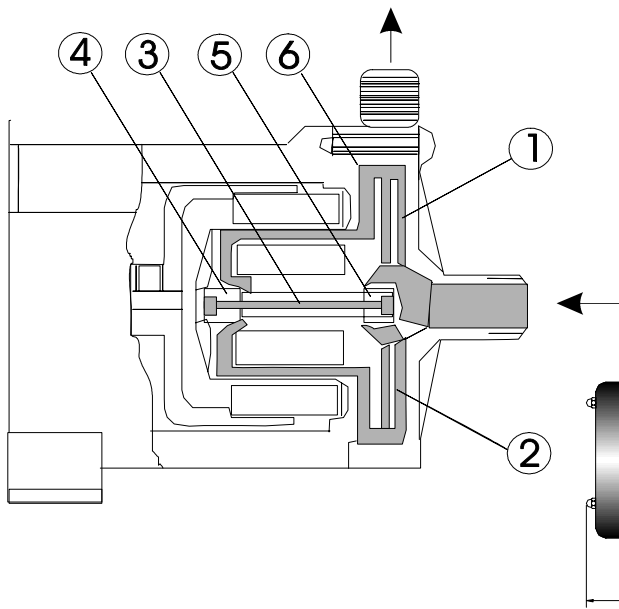
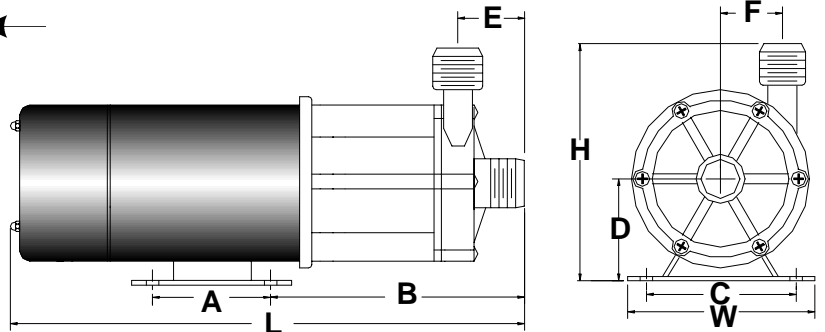


- Twin bearing system handles thrust loads, extends service life
- Hollow rotating / Internal cooling circuit reduces bearing temperature
- Compact / Quiet energy efficient design
- Few moving parts for easy maintenance
- Other sizes, voltages & materials available



| Part          | Material       |
|---------------|----------------|
| 1 Casing      | GFRPP          |
| 2 Impeller    | GFRPP or CFRPP |
| 3 Spindle     | Ceramic        |
| 4 Bearing     | PTFE           |
| 5 Thrust ring | Ceramic or PE  |
| 6 O-ring      | FKM or EPDM    |



### Dimensions (inches) and Specifications

| Model      | W    | H    | L     | A    | B    | C    | D    | E    | F    |
|------------|------|------|-------|------|------|------|------|------|------|
| MD-30R(T)  | 4.72 | 5.12 | 9.76  | 1.57 | 5.87 | 3.94 | 2.36 | 1.89 | 1.2  |
| MD-30RX(T) | 4.72 | 5.39 | 10.00 | 1.57 | 6.10 | 3.94 | 2.36 | 1.97 | 15+  |
| MD-30RZ(T) | 4.72 | 5.12 | 9.05  | 1.57 | 5.20 | 3.94 | 2.36 | 1.56 | 1.52 |
| MD-40R(T)  | 4.72 | 5.12 | 9.89  | 1.57 | 5.87 | 3.94 | 2.36 | 1.89 | 1.22 |
| MD-40RX(T) | 4.72 | 5.53 | 10.08 | 1.57 | 6.10 | 3.94 | 2.36 | 1.97 | 15+  |

+ Degrees offset from vertical

| Model      | CONNECTIONS |      | MOTOR       |             | AMPS 115V | MAX FLOW GPM | MAX HEAD FT | MAX SYS PRESSURE PSI | S.G. | WEIGHT LBS |
|------------|-------------|------|-------------|-------------|-----------|--------------|-------------|----------------------|------|------------|
|            | HOSE        | NPTM | OUTPUT (HP) | SPEED (RPM) |           |              |             |                      |      |            |
| MD-30R(T)  | 3/4         | 3/4  | 1/16        | 3150        | 1.0       | 10.0         | 17.7        | 11.6                 | 1.3  | 8          |
| MD-30RX(T) | 1           | 1    | 1/16        | 3150        | 1.1       | 19.0         | 13.5        | 8.50                 | 1.1  | 9          |
| MD-30RZ(T) | 5/8         | 3/4  | 1/16        | 3100        | 1.1       | 4.60         | 36.1        | 24.2                 | 1.0  | 8          |
| MD-40R(T)  | 3/4         | 3/4  | 1/12        | 3200        | 1.3       | 13.7         | 21.3        | 14.2                 | 1.1  | 9          |
| MD-40RX(T) | 1           | 1    | 1/12        | 3200        | 1.2       | 22.4         | 15.4        | 10.0                 | 1.1  | 9          |