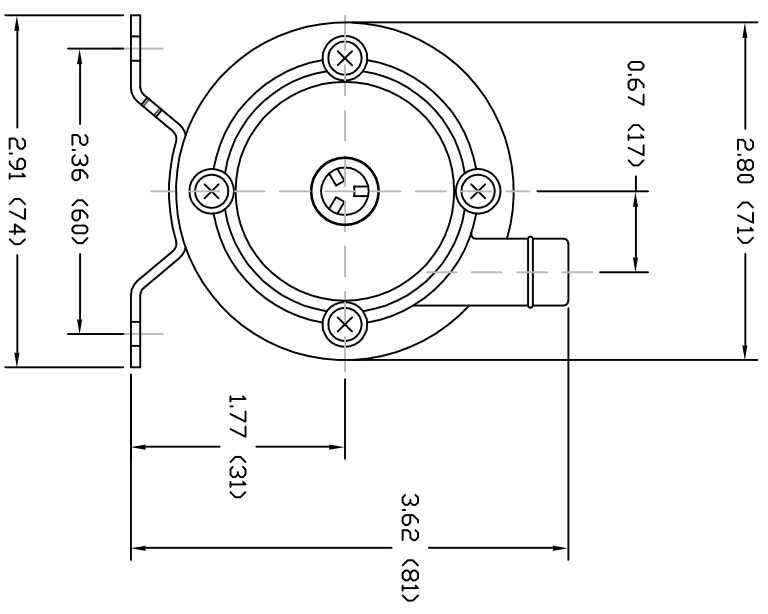
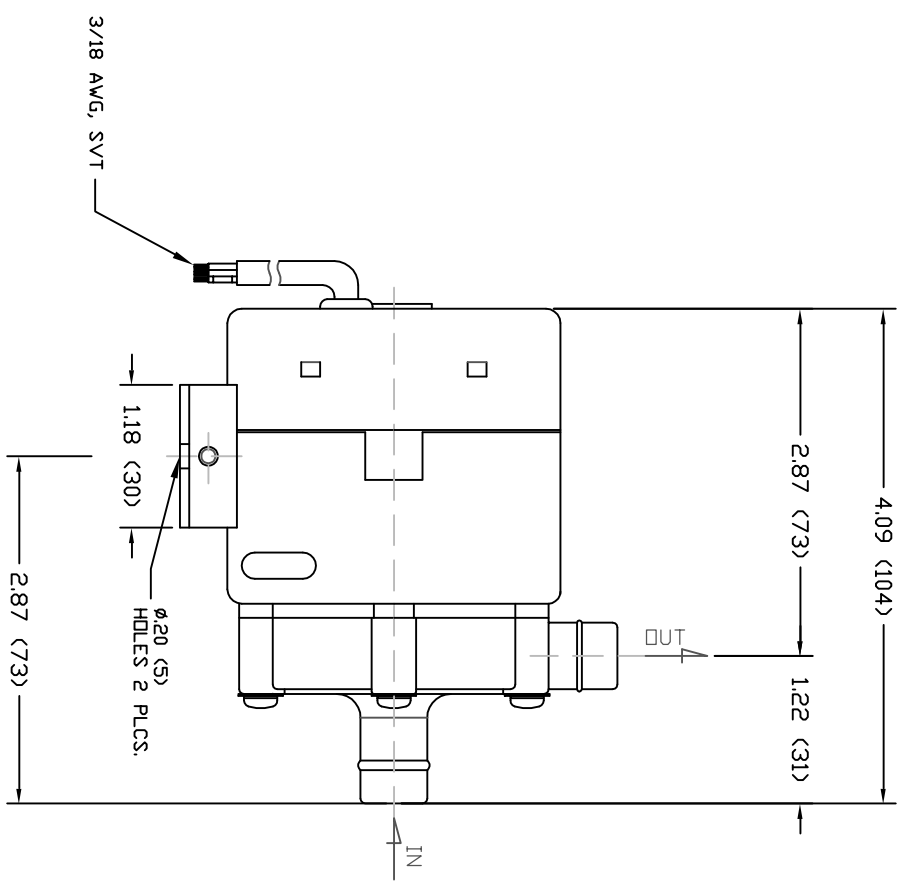


PART OR DRAWING NO. IF20563 REV. A



- NOTES:
1. DRAWING MAY VARY FROM ACTUAL PRODUCT.
  2. REFER TO SPECIFICATIONS C910651 AND C910655.
  3. DRAWN FROM Z2000344 TO SCALE.
  4. DIMENSIONS ARE IN INCHES (MM).

MATERIALS

	SPECIFICATIONS-6L	SPECIFICATIONS-10L
CASING	MAX CAPACITY 2.3 GPM (8.7 LPM)	MAX CAPACITY 3.1 GPM (11.7 LPM)
IMPELLER	MAX HEAD 4.5 FT (1.4 M)	MAX HEAD 6.8 FT (2.1 M)
SPINDLE	MAWP 2.8 PSI (0.2 MPa)	MAWP 4.3 PSI (0.3 MPa)
BEARING	VOLTAGAGE 115 VAC	VOLTAGAGE 115 VAC
THRUST RING-6L	CURRENT .25 A	CURRENT .4 A
THRUST RING-10L	CORD LENGTH 39.4 IN (1 M)	CORD LENGTH 39.4 IN (1 M)
D-RING	WEIGHT 1.77 LBS (.8 KG)	WEIGHT 1.61 LBS (.73 KG)
	SUCTION 1/2 IN HOSE	SUCTION 1/2 IN HOSE
	DISCHARGE 1/2 IN HOSE	DISCHARGE 1/2 IN HOSE

**IWAKI AMERICA**  
 5 Boynton Rd.  
 Hopping Brook Park  
 Holliston, MA 01746  
 (508) 429-1440  
 www.IwakiAmerica.com

ECO#	DESCRIPTION	DATE	REV. LTR.
	SEE CHART		
GJS	04 03 05	XXX	1
DRAWN	DAY MO. YR.	RELEASED	SHEET NO.

TITLE  
 MAG DRIVE PUMP  
 MD-6L,10L (115V)

PART OR DWG. NO. IF20563

REV. A