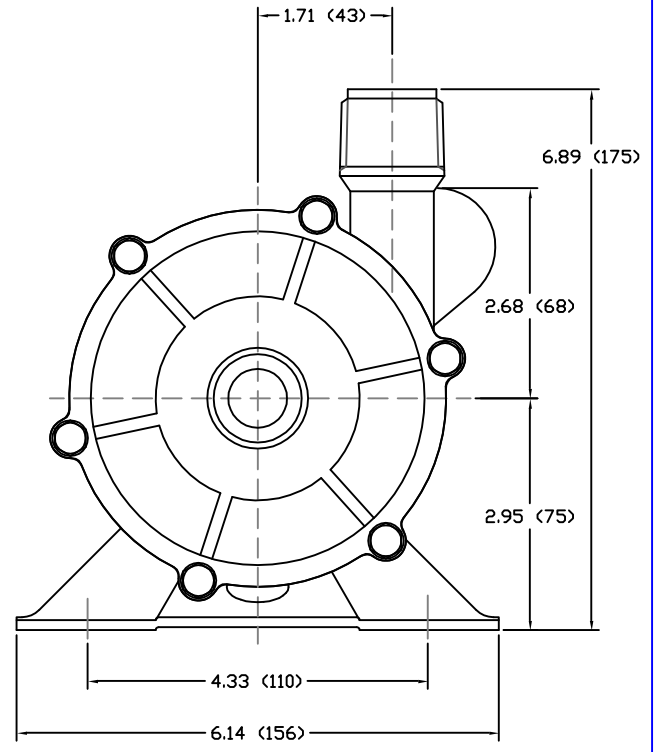
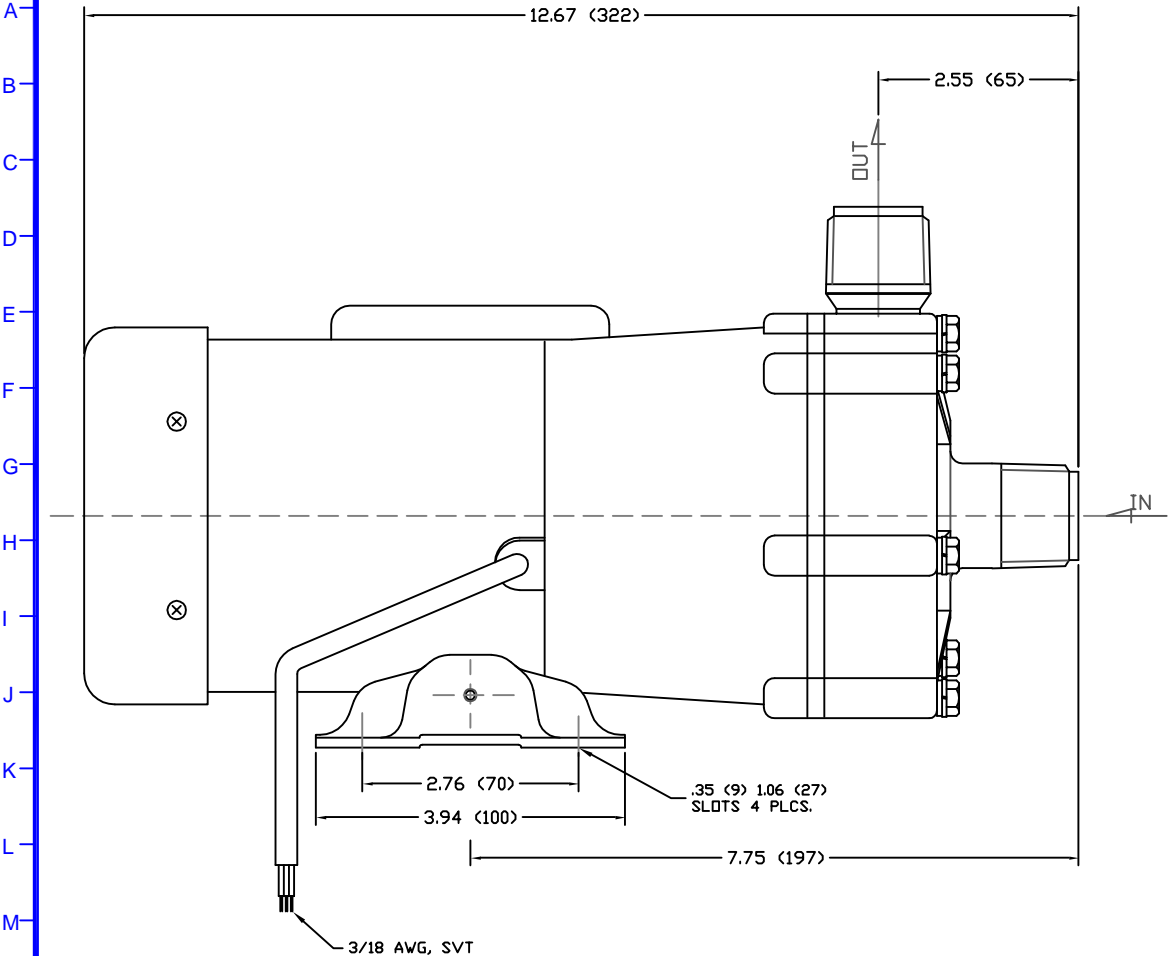


1 2 3 4 5 6 7 8 9 10 11 12 13 14 15 16 17 18 19 20 21 22 23 24 25

PART OR DRAWING NO. IF20579 REV. A




NOTES:
 1. DRAWING MAY VARY FROM ACTUAL PRODUCT
 2. DRAWN FROM 22000375 TO SCALE.
 3. REFER TO SPECIFICATION C910660.
 4. DIMENSIONS ARE IN INCHES (MM).

MATERIALS

CASING	GFRPP
IMPELLER	GFRPP
SPINDLE	ALUMINA CERAMIC
BEARING	PTFE
THRUST RING	ALUMINA CERAMIC
O-RING	FKM

SPECIFICATIONS

MAX CAPACITY	35.6 GPM (135 LPM)
MAX HEAD	39 FT (11.9 M)
MAWP	25.6 PSI (.18 MPA)
VOLTAGE	115 VAC
CURRENT	3.4 A
CORD LENGTH	39.4 IN (1 M)
WEIGHT	18.7 LBS (8.48 KG)
SUCTION	1 IN NPT - MALE
DISCHARGE	1 IN NPT - MALE

ECO#	DESCRIPTION					DATE	REV. LTR.
MATERIAL SEE CHART							
GJS	04	03	05	XXX	1		
DRAWN	DAY	MO.	YR.	RELEASED	SHEET NO.		
				5 Boynton Rd. Hopping Brook Park Holliston, MA 01746 (508) 429-1440 www.IwakiAmerica.com			
TITLE				MAG DRIVE PUMP MD-100RLT (115V)			
PART OR DWG. NO. IF20579							REV. A