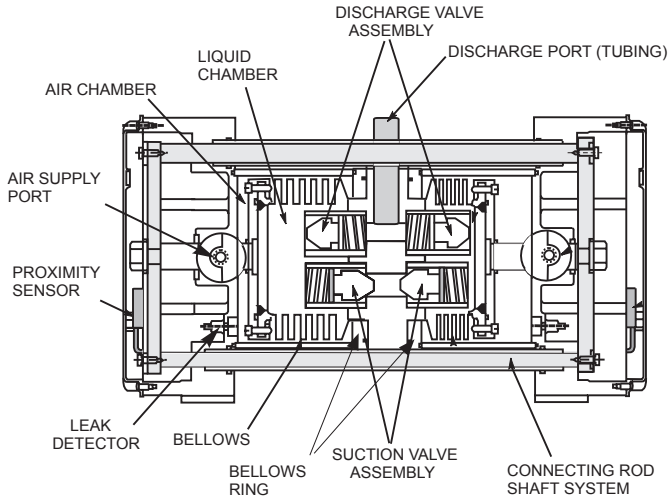




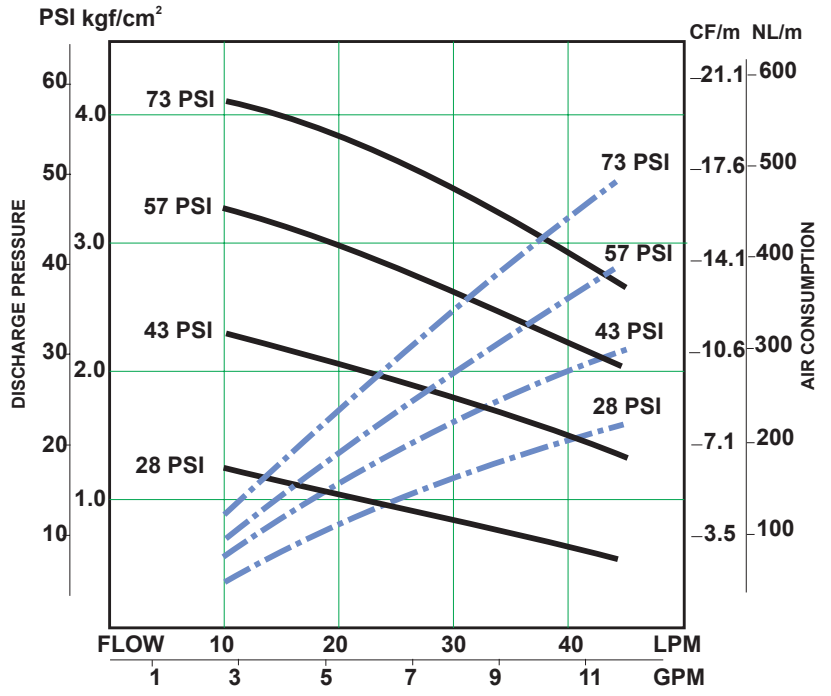
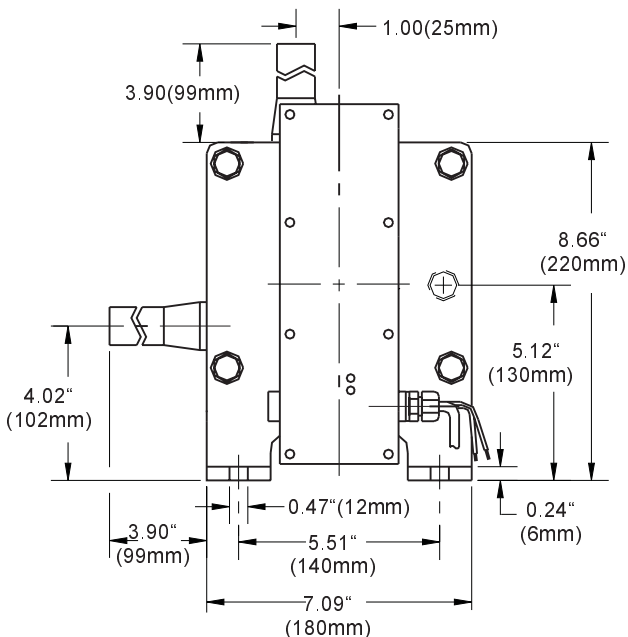
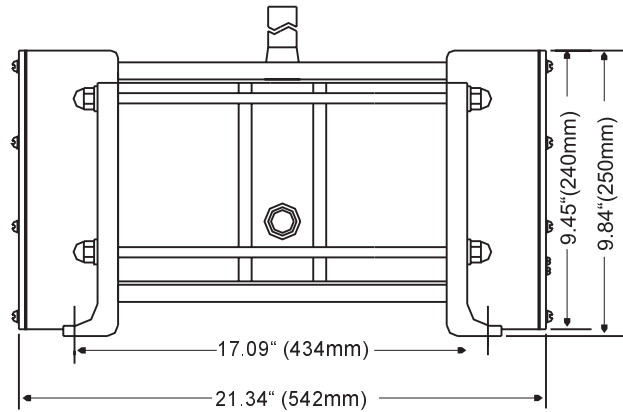
IWAKI WALCHEM Corporation

FW-40HT



- PTFE/PFA Liquid End Construction
- Pressure capabilities to 75 PSI
- Flow rates to 50 L/min
- Wide temperature capabilities (10-180°C)
- Leak detection and drive sensing

Dimensions



— PUMP PERFORMANCE CURVE — AIR SUPPLY PRESSURE
NOTE: RATED PERFORMANCE AT CORRESPONDING SUPPLY AIR PRESSURE.

Specifications

FW-40HT				
Max flow rate	GPM (LPM)	12.9 (50)		
Liquid Temperature	°F (°C)	50-212 (10-100)	213-302 (101-150)	303-356 (151-180)
Supply air pressure	PSI	28-73	21-43	21-28
Ambient temperature	°F (°C)	32-104 (0-40)		
Max stroke speed	SPM	80		
Pump connection size		1" PFA tube		
Supply air connection size		3/8" PT (2)		
Material	Wetted parts	PTFE, PFA		
	Non-wetted parts	PTFE COATED ALUMINUM, SS304		

P/N IF20352.B

5 BOYNTON ROAD HOPPING BROOK PARK HOLLISTON, MA 01746-1446 USA
 TEL: 508-429-1440 FAX: 508-429-1386 EMAIL: IWAKIWALCHEM@IWAKIWALCHEM.COM
 ON THE INTERNET: WWW.IWAKIWALCHEM.COM