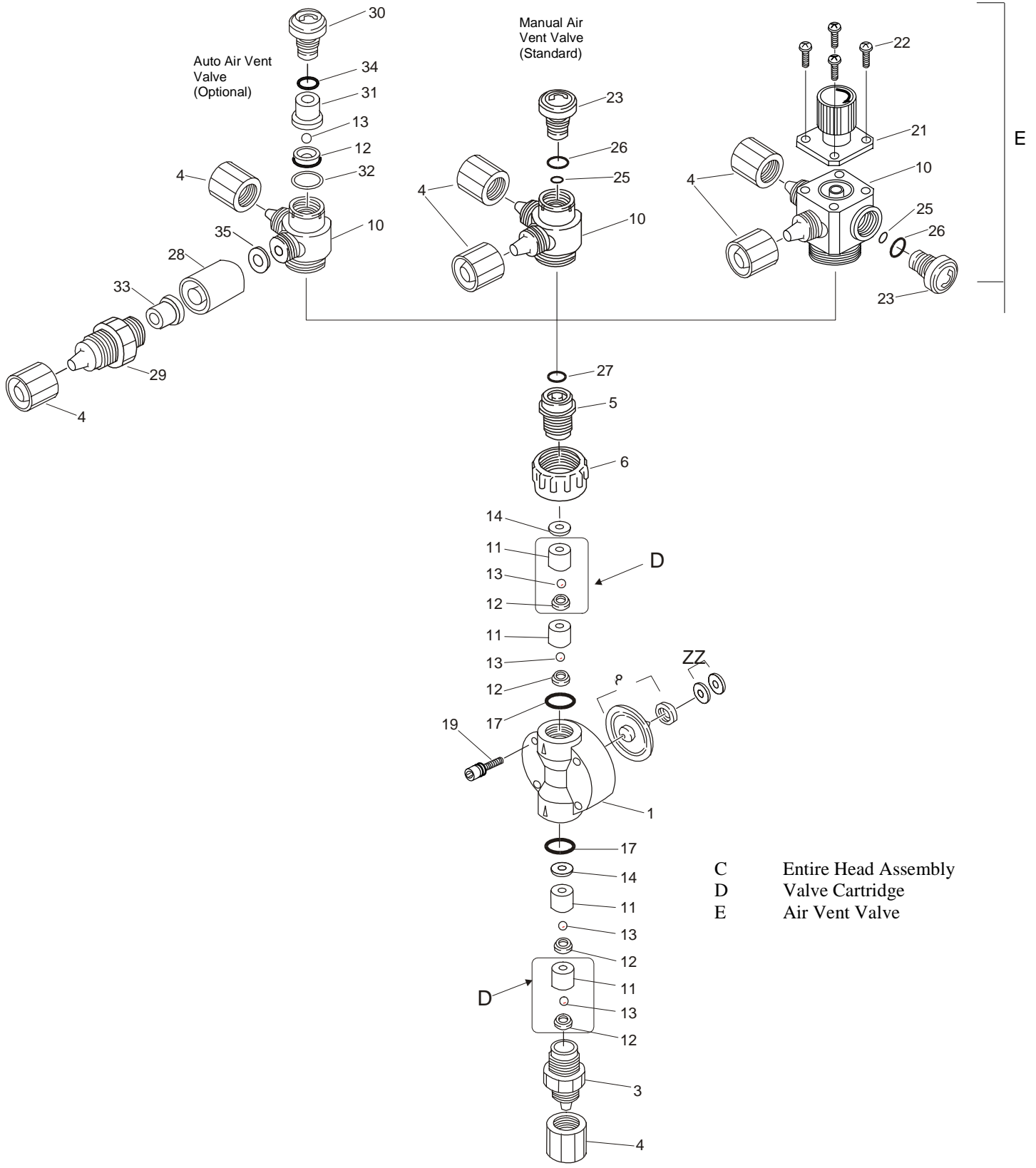


5.0 EXPLODED VIEW & PARTS GUIDE

PVC/GFRPP Liquid End Exploded View #1 For EW and EK pump model sizes 10, 15, and 20



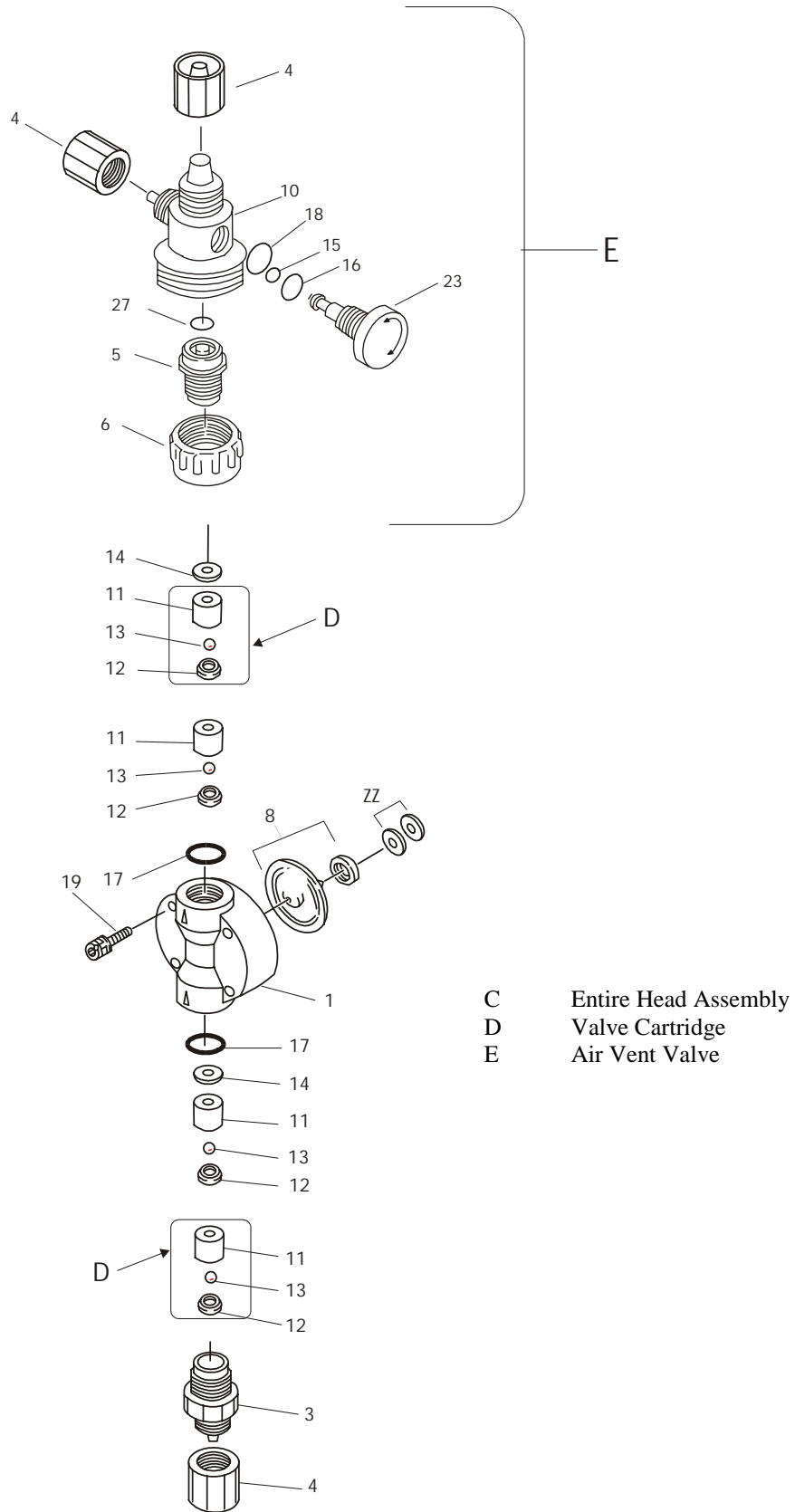
PVC/GFRPP Liquid End Exploded View #1

Components

| Item | Part No | Description | Qty | Size | Liquid End Material |
|------|---------|------------------------------------|-------|------------|---|
| 1 | EH1339 | Head, Pump, EW/EK10, PVC | 1 | 10 | VC, VE, VF |
| | EH1344 | Head, Pump, EW/EK10, GFRPP | 1 | 10 | PC, PE |
| | EH0557 | Head, Pump, EW/EK/EZ15, PVC | 1 | 15 | VC, VE, VF |
| | EH0582 | Head, Pump, EW/EK/EZ15, GFRPP | 1 | 15 | PC, PE |
| | EH0564 | Head, Pump, EW/EK/EZ20, PVC | 1 | 20 | VC, VE, VF |
| | EH0584 | Head, Pump, EW/EK/EZ20, GFRPP | 1 | 20 | PC, PE |
| 3 | EH0400 | Housing, Valve, 3/8 PVC | 1 | 10, 15, 20 | VC, VE, VF |
| | EH0418 | Housing, Valve, 3/8 GFRPP | 1 | 10, 15, 20 | PC, PE |
| 4 | EH0401 | Nut, Coupling, 3/8 PVC | 3 | 10, 15, 20 | VC, VE, VF |
| | EH0419 | Nut, Coupling, 3/8 GFRPP | 3 | 10, 15, 20 | PC, PE |
| 5 | EH0294 | Fitting, Air Vent, PVC | 1 | 10, 15, 20 | VC, VE, VF |
| | EH0315 | Fitting, Air Vent, GFRPP | 1 | 10, 15, 20 | PC, PE |
| 6 | EH0295 | Nut, Lock, Air Vent, PVC | 1 | 10, 15, 20 | VC, VE, VF |
| | EH0316 | Nut, Lock, Air Vent, GFRPP | 1 | 10, 15, 20 | PC, PE |
| * 8 | E90064 | Diaphragm and Retainer, EW/EK/EZ10 | 1 | 10 | all |
| | E90065 | Diaphragm and Retainer, EW/EK/EZ15 | 1 | 15 | all |
| | E90066 | Diaphragm and Retainer, EW/EK/EZ20 | 1 | 20 | all |
| 10 | EH0402 | Body, Manual Air Vent, PVC | 1 | 10, 15, 20 | VC, VE, VF |
| | EH0420 | Body, Manual Air Vent, GFRPP | 1 | 10, 15, 20 | PC, PE |
| | EH0861 | Body, Auto Air Vent, PVC | 1 | 10, 15, 20 | VCA, VCC |
| | EH1406 | Body, Multifunction Valve, PVC | 1 | 10, 15, 20 | VC, VEM, VFM |
| | EH1407 | Body, Multifunction Valve, GFRPP | 1 | 10, 15, 20 | PCM, PEM |
| * 11 | EH0060 | Guide, Valve, .188 PVC | 4 | 10 | VC, VE, VF |
| | EH0318 | Guide, Valve, .188 GFRPP | 4 | 10 | PC, PE |
| | EH0068 | Guide, Valve, .250 PVC | 4 | 15, 20 | VC, VE, VF |
| | EH0325 | Guide, Valve, .250 GFRPP | 4 | 15, 20 | PC, PE |
| * 12 | EH0061 | Seat, Valve, .188 FKM | 4 (5) | 10 | VC, PC (VCC) |
| | EH0048 | Seat, Valve, .188 EPDM | 4 | 10 | VE, PE, VF |
| | EH0069 | Seat, Valve, .250 FKM | 4 | 15, 20 | VC, PC |
| | EH0071 | Seat, Valve, .250 EPDM | 4 | 15, 20 | VE, PE, VF |
| * 13 | EH0025 | Ball, Valve, .188 CE | 4 (5) | 10 | VC, VE, PC, PE, (VCC) |
| | EH0084 | Ball, Valve, .250 CE | 4 | 15, 20 | VC, VE, PC, PE |
| | E00063 | Ball, Valve 0.188 PTFE | 4 | 10 | VF |
| | E00064 | Ball, Valve 0.250 PTFE | 4 | 15, 20 | VF |
| * 14 | EH0026 | Gasket, Valve, .188 & .250 PTFE | 2 | 10, 15, 20 | VC, VE, VF |
| | EH0580 | Gasket, Valve, .188 & .250 PTFE | 2 | 10, 15, 20 | PC, PE |
| * 17 | EH0027 | O-Ring, S14 FKM | 2 | 10, 15, 20 | VC, PC |
| | EH0050 | O-Ring, S14 EPDM | 2 | 10, 15, 20 | VE, PE, VF |
| 19 | EH1630 | Bolt, M4 x 30 SS Hex Socket | 4 | 10, 15, 20 | all |
| 21 | E90374 | Multifunction Valve Top Asm | 1 | 10, 15, 20 | all xxM ends |
| 22 | EH1410 | Screw, M4 x 10, SS304, PP | 4 | 10, 15, 20 | all xxM ends |
| 23 | EH0299 | Knob, Manual Air Vent Valve, PVC | 1 | 10, 15, 20 | VC, VE, VF |
| | EH0321 | Knob, Manual Air Vent Valve, GFRPP | 1 | 10, 15, 20 | PC, PE |
| * 25 | EH0300 | O-Ring, P4 FKM | 1 | 10, 15, 20 | VC, PC |
| | EH0301 | O-Ring, P4 EPDM | 1 | 10, 15, 20 | VE, PE, VF |
| * 26 | EH0302 | O-Ring, P10A FKM | 1 | 10, 15, 20 | VC, PC |
| | EH0303 | O-Ring, P10A EPDM | 1 | 10, 15, 20 | VE, PE, VF |
| * 27 | EH0304 | O-Ring, P7 FKM | 1 | 10, 15, 20 | VC, PC |
| | EH0305 | O-Ring, P7 EPDM | 1 | 10, 15, 20 | VE, PE, VF |
| 28 | EH0864 | Fitting, Adapter, AAVV, PVC | 1 | 10, 15, 20 | VCC |
| 29 | EH0867 | Fitting, AAVV, PVC | 1 | 10, 15, 20 | VCC |
| 30 | EH0774 | Knob, AAVV, PVC | 1 | 10, 15, 20 | VCC |
| 31 | EH0862 | Guide, Valve, AAVV, Titanium | 1 | 10, 15, 20 | VCC |
| 32 | EH0775 | Spacer, AAVV, PVC | 1 | 10, 15, 20 | VCC |
| * 33 | EH0865 | Tube, Valve, AAVV, FKM | 1 | 10, 15, 20 | VCC |
| * 34 | EH0776 | O-Ring, S12, FKM | 1 | 10, 15, 20 | VCC |
| 35 | EH0866 | Gasket, AAVV, FKM | 1 | 10, 15, 20 | VCC |
| ZZ | ----- | Brass Spacers | | | Drive specific/Reuse when replacing diaphragm |

* Included in spare parts kit

PVC/GFRPP Liquid End Exploded View #2
 For EW and EK pump model sizes 30 and 35



PVC/GFRPP Liquid End Exploded View #2

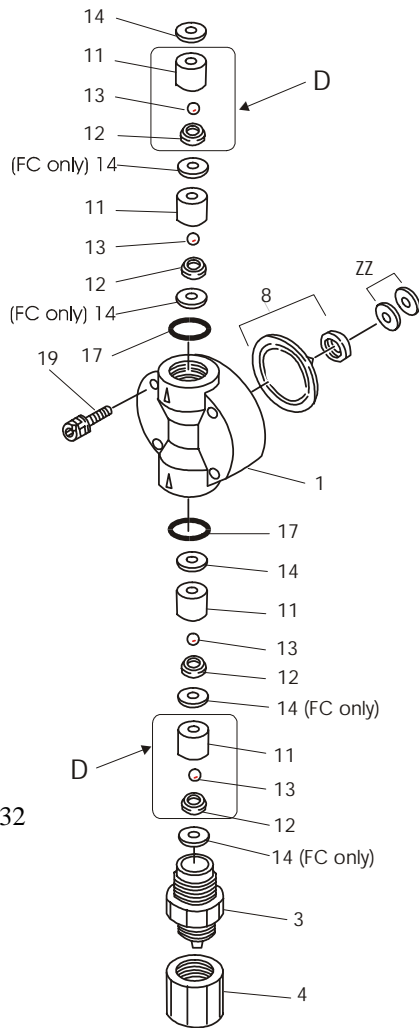
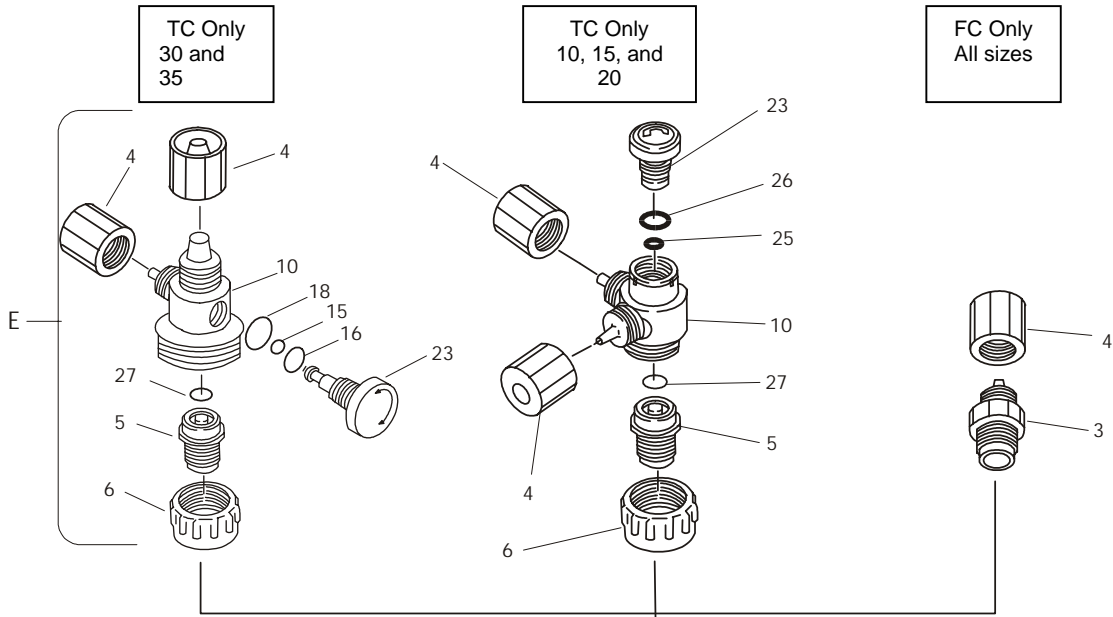
Components

| Item | Part No | Description | Qty | Size | Liquid End Material |
|------|---------|---|-----|--------|---|
| 1 | EH1345 | Head, Pump, EW/EK30, GFRPP | 1 | 30 | PC, PE |
| | EH1340 | Head, Pump, EW/EK30, PVC | 1 | 30 | VC, VE, VF |
| | EH1346 | Head, Pump, EW/EK35, GFRPP | 1 | 35 | PC, PE |
| | EH1341 | Head, Pump, EW/EK35, PVC | 1 | 35 | VC, VE, VF |
| 3 | EH0405 | Housing, Valve, 1/2 PVC | 1 | 30, 35 | VC, VE, VF |
| | EH0421 | Housing, Valve, 1/2 GFRPP | 1 | 30, 35 | PC, PE |
| 4 | EH0406 | Nut Coupling, 1/2 PVC | 3 | 30, 35 | VC, VE, VF |
| | EH0422 | Nut, Coupling, 1/2 GFRPP | 3 | 30, 35 | PC, PE |
| 5 | EH1078 | Fitting, Air Vent, PVC | 1 | 30, 35 | VC, VE, VF |
| | EH1088 | Fitting, Air Vent, PVC | 1 | 30, 35 | PC, PE |
| 6 | EH1077 | Nut, Lock, Air Vent, PVC | 1 | 30, 35 | VC, VE, VF |
| | EH1087 | Nut, Lock, Air Vent, PVC | 1 | 30, 35 | PC, PE |
| * | 8 | E90067 Diaphragm and retainer, EW/EK/EZ30 | 1 | 30 | all |
| | E90490 | Diaphragm & Retainer, EW/EK/EZ35 | 1 | 35 | all |
| | 10 | EH1101 Body, Manual Air Vent, PVC | 1 | 30, 35 | VC, VE, VF |
| | EH1099 | Body, Manual Air Vent, GFRPP | 1 | 30, 35 | PC, PE |
| * | 11 | EH0118 Guide, Valve, 0.375 PVC | 4 | 30, 35 | VC, VE, VF |
| | EH0332 | Guide, Valve, 0.375 GFRPP | 4 | 30, 35 | PC, PE |
| * | 12 | EH0119 Seat, Valve, 0.375 FKM | 4 | 30, 35 | VC, PC |
| | EH0125 | Seat, Valve, 0.375 EPDM | 4 | 30, 35 | VE, PE, VF |
| * | 13 | EH0120 Ball, Valve, 0.375 CE | 4 | 30, 35 | VC, VE, PC, PE |
| | E00062 | Ball, Valve, 0.375 PTFE | 4 | 30, 35 | VF |
| * | 14 | EH0121 Gasket, Valve, 0.375 PTFE | 2 | 30, 35 | VC, VE, PC, PE, VF |
| * | 15 | EH1080 O-Ring, P-3, FKM | 1 | 30, 35 | VC, PC |
| | EH1083 | O-Ring, P-3, EPDM | 1 | 30, 35 | VE, PE, VF |
| * | 16 | EH0029 O-Ring, P-6, FKM | 1 | 30, 35 | VC, PC |
| | EH0052 | O-Ring, P-6, EPDM | 1 | 30, 35 | VE, PE, VF |
| * | 17 | EH0122 O-Ring, P16 FKM | 2 | 30, 35 | VC, PC |
| | EH0127 | O-Ring, P16 EPDM | 2 | 30, 35 | VE, PE, VF |
| * | 18 | EH0027 O-Ring, S-14 FKM | 1 | 30, 35 | VC, PC |
| | EH0050 | O-Ring, S-14 EPDM | 1 | 30, 35 | VE, PE, VF |
| | 19 | EH0403 Bolt, M4 x 33 SS Hex Socket | 4 | 30 | all |
| | EH1347 | Bolt, M5 x 35 SS Hex Socket | 4 | 35 | all |
| | 23 | EH1079 Knob, Manual Air Vent, PVC | 1 | 30, 35 | VC, VE, VF |
| | EH1089 | Knob, Manual Air Vent, GFRPP | 1 | 30, 35 | PC, PE |
| * | 27 | EH1082 O-Ring, P-11 FKM | 1 | 30, 35 | VC, PC |
| | EH1084 | O-Ring, P-11, EPDM | 1 | 30, 35 | VE, PE, VF |
| | ZZ | ----- Brass Spacers | | | Drive specific/Reuse when replacing diaphragm |

* Included in spare parts kit

PVDF Liquid End Exploded View #3

For all PVDF EW and EK Pump Models



- C Entire Head Assembly
- D Valve Cartridge
- E Air Vent Valve

Part numbers for these assemblies are on Page 32

PVDF Liquid End Exploded View #3

Components

| Item | Part No | Description | Qty | Size | Liquid End Material |
|--------|---------|------------------------------------|-----------------------------|------------|--|
| 1 | EH0608 | Head, Pump, EW/EK/EZ10, PVDF | 1 | 10 | FC, TC |
| | EH0609 | Head, Pump, EW/EK/EZ15, PVDF | 1 | 15 | FC, TC |
| | EH0610 | Head, Pump, EW/EK/EZ20, PVDF | 1 | 20 | FC, TC |
| | EH1538 | Head, Pump, EW/EK30, PVDF | 1 | 30 | FC, TC |
| | EH1518 | Head, Pump, EW/EK35, PVDF | 1 | 35 | FC, TC |
| 3 | EH0425 | Housing, Valve, 3/8 PVDF | 2 / 1 | 10, 15, 20 | FC / TC |
| | EH0427 | Housing, Valve, 1/2 PVDF | 2 / 1 | 30, 35 | FC / TC |
| 4 | EH0836 | Nut, Coupling, 3/8 PVDF | 2 / 3 | 10, 15, 20 | FC / TC |
| | EH0837 | Nut, Coupling, 1/2 PVDF | 2 / 3 | 30, 35 | FC / TC |
| 5 | EH1051 | Fitting, Air Vent, PVDF | 1 | 10, 15, 20 | TC |
| | EH1093 | Fitting, Air Vent, PVDF | 1 | 30, 35 | TC |
| 6 | EH1047 | Nut, Lock, Air Vent, PVDF | 1 | 10, 15, 20 | TC |
| | EH1092 | Nut, Lock, Air Vent, PVDF | 1 | 30, 35 | TC |
| * 8 | E90064 | Diaphragm and retainer, EW/EK/EZ10 | 1 | 10 | all |
| | E90065 | Diaphragm and retainer, EW/EK/EZ15 | 1 | 15 | all |
| | E90066 | Diaphragm and retainer, EW/EK/EZ20 | 1 | 20 | all |
| | E90067 | Diaphragm and retainer, EW/EK/EZ30 | 1 | 30 | all |
| | E90490 | Diaphragm and retainer, EW/EK/EZ35 | 1 | 35 | all |
| 10 | EH1052 | Body, Manual Air Vent, PVDF | 1 | 10, 15, 20 | TC |
| | EH1100 | Body, Manual Air Vent, PVDF | 1 | 30, 35 | TC |
| * 11 | EH0340 | Guide, Valve, .188 PVDF | 4 | 10 | FC |
| | EH1046 | Guide, Valve, .188 PVDF | 4 | 10 | TC |
| | EH1549 | Guide, Valve, .250 PVDF | 4 | 15, 20 | FC, TC |
| | EH1550 | Guide, Valve, .375 PVDF | 4 | 30, 35 | FC, TC |
| * 12 | EH1627 | Seat, Valve, .188 PCTFE | 4 | 10 | FC |
| | EH0592 | Seat, Valve, .250 PCTFE | 4 | 15, 20 | FC |
| | EH0593 | Seat, Valve, .375 PCTFE | 4 | 30, 35 | FC |
| | EH0061 | Seat, Valve, .188 FKM | 4 | 10 | TC |
| | EH0069 | Seat, Valve, .250 FKM | 4 | 15, 20 | TC |
| | EH0119 | Seat, Valve, .375 FKM | 4 | 30, 35 | TC |
| | EH0025 | Ball, Valve, .188 CE | 4 | 10 | FC, TC |
| * 13 | EH0084 | Ball, Valve, .250 CE | 4 | 15, 20 | FC, TC |
| | EH0120 | Ball, Valve, .375 CE | 4 | 30, 35 | FC, TC |
| | EH0342 | Gasket, Valve, .188 & .250 PTFE | 6 / 2 | 10, 15, 20 | FC / TC |
| * 14 | EH0354 | Gasket, Valve, .375, PTFE | 6 / 2 | 30, 35 | FC / TC |
| | 15 | EH1080 | O-Ring, P-3, FKM | 1 | 30, 35 |
| * 16 | EH0029 | O-Ring, P-6, FKM | 1 | 30, 35 | TC |
| | * 17 | EH0027 | O-Ring, S-14, FKM | 2 | 10, 15, 20 |
| EH0122 | | O-Ring, P-16, FKM | 2 | 30, 35 | TC |
| EH0591 | | Gasket, V-Housing, .188/.250 PTFE | 2 | 10, 15, 20 | FC |
| EH0355 | | Gasket, V-Housing, .375 PTFE | 2 | 30, 35 | FC |
| * 18 | EH0027 | O-Ring, S-14, FKM | 1 | 30, 35 | TC |
| | 19 | EH0403 | Bolt, M4 x 33 SS Hex Socket | 4 | 30 |
| EH1630 | | Bolt, M4 x 30 SS Hex Socket | 4 | 10, 15, 20 | FC, TC |
| EH1347 | | Bolt, M5 x 35 SS Hex Socket | 4 | 35 | FC, TC |
| 23 | EH1049 | Knob, Air Vent Valve | 1 | 10, 15, 20 | FC, TC |
| | EH1094 | Knob, Air Vent, 1/2, PVDF | 1 | 30, 35 | FC, TC |
| * 25 | EH0300 | O-Ring, P-4, FKM | 1 | 10, 15, 20 | TC |
| * 26 | EH0302 | O-Ring, P-10A, FKM | 1 | 10, 15, 20 | TC |
| * 27 | EH0304 | O-Ring, P-7, FKM | 1 | 10, 15, 20 | TC |
| | EH1082 | O-Ring, P-11, FKM | 1 | 30, 35 | TC |
| ZZ | ----- | Brass spacers | | | Drive specific/Re-use when replacing diaphragm |
| * 1 | | Included in spare parts kit | | | |

Accessories (Not Shown)

| Part No. | Description | Size | Liquid End Material |
|------------|-------------------------------|-----------------------|---------------------|
| E90001 | Valve, Injection 3/8 | 10, 15, 20 | VC |
| E90002 | Valve, Injection 3/8 | 10, 15, 20 | VE, VF |
| E90003 | Valve, Injection, 3/8 | 10, 15, 20 | PC |
| E90004 | Valve, Injection, 3/8 | 10, 15, 20 | PE |
| E90005 | Valve, Injection 1/2 | EHC30 | VC |
| E90006 | Valve, Injection 1/2 | EHC30 | VE, VF |
| E90007 | Valve, Injection, 1/2 | EZ30/35, EHB30, EHC35 | VC |
| E90008 | Valve, Injection, 1/2 | EZ30/35, EHB30, EHC35 | VE, VF |
| E90009 | Valve, Injection, 1/2 | EHC30 | PC |
| E90010 | Valve, Injection, 1/2 | EHC30 | PE |
| E90011 | Valve, Injection, 1/2 | EZ30/35, EHB30, EHC35 | PC |
| E90012 | Valve, Injection, 1/2 | EZ30/35, EHB30, EHC35 | PE |
| E90238 | Valve, Injection, 3/8 | 10, 15, 20 | TC |
| E90020 | Valve, Inj/Back Press, 3/8 | 10, 15, 20 | FC |
| E90022 | Valve, Inj/Back Press, 1/2 | 30, 35 | TC, FC |
| E90013 | Valve, Foot, 3/8 | 10, 15, 20 | VC |
| E90015 | Valve, Foot, 3/8 | 10, 15, 20 | PC |
| E90016 | Valve, Foot, 1/2 | 30, 35 | VC |
| E90018 | Valve, Foot, 1/2 | 30, 35 | PC |
| E90034 | Valve, Foot, 3/8 | 10, 15, 20 | PE |
| E90035 | Valve, Foot, 3/8 | 10, 15, 20 | VE |
| E90036 | Valve, Foot, 1/2 | 30, 35 | PE |
| E90037 | Valve, Foot, 1/2 | 30, 35 | VE |
| E90193 | Valve, Foot, 1/2 | 30, 35 | VF |
| E90234 | Valve, Foot, 3/8 | 10, 15, 20 | VF |
| E90239 | Valve, Foot, 1/2 | 30, 35 | TC |
| E90240 | Valve, Foot, 3/8 | 10, 15, 20 | TC |
| E90241 | Valve, Foot, 3/8 | 10, 15, 20 | FC |
| E90275 | Valve, Foot, 1/2 | 30, 35 | FC |
| E00001-00 | Tubing, 1/2 OD LLDPE per foot | 30, 35 | all |
| E00001 | Tubing, 1/2 OD LLDPE, 20 FT | 30, 35 | all |
| E00001-50 | Tubing, 1/2 OD LLDPE, 50 FT | 30, 35 | all |
| E00001-100 | Tubing, 1/2 OD LLDPE, 100 FT | 30, 35 | all |
| E00001-250 | Tubing, 1/2 OD LLDPE, 250 FT | 30, 35 | all |
| E00001-500 | Tubing, 1/2 OD LLDPE, 500 FT | 30, 35 | all |
| E00002-00 | Tubing, 3/8 OD LLDPE per foot | 10, 15, 20 | all |
| E00002 | Tubing, 3/8 OD LLDPE, 20 FT | 10, 15, 20 | all |
| E00002-50 | Tubing, 3/8 OD LLDPE, 50 FT | 10, 15, 20 | all |
| E00002-100 | Tubing, 3/8 OD LLDPE, 100 FT | 10, 15, 20 | all |
| E00002-250 | Tubing, 3/8 OD LLDPE, 250 FT | 10, 15, 20 | all |
| E00002-500 | Tubing, 3/8 OD LLDPE, 500 FT | 10, 15, 20 | all |
| E00071 | Weight, Ceramic | 10,15,20,30,35 | all |