

IWAKI

M
series


M Series - Chemical Process Pumps



**Non-Metallic, Sealless,
Corrosion Resistant , Leak Free**

**CHEMICAL
PUMP
SPECIALIST**

IWAKI PUMPS



www.IwakiAmerica.com

A diamond-shaped graphic divided into four colored quadrants: top (pink), bottom (yellow), left (light blue), and right (light yellow). Large, faint numbers '2', '4', and '2' are overlaid on the quadrants. The text 'CHEMICAL PUMP SPECIALIST' is centered in the top half, and 'IWAKI PUMPS' is centered in the bottom half. Below the text is the IWAKI logo, a stylized blue 'A' shape, and the website address 'www.IwakiAmerica.com'.

M

series



MDM Series

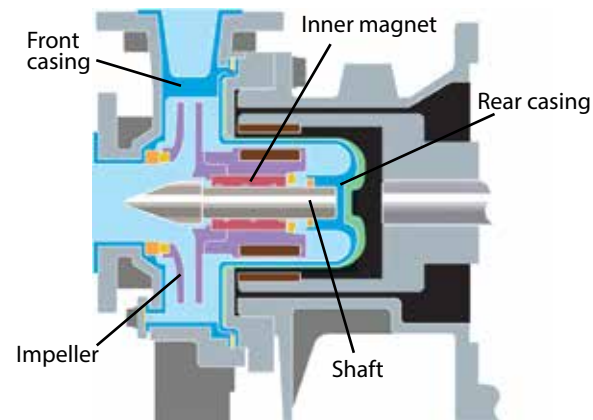
ANSI Dimensional for ease of installation

MDM Series is an ANSI dimensional pump with flow rates to 350 GPM and TDH to 348 feet. It is available in both ETFE Teflon® and virgin PFA for high purity applications. The MDM series options include an elevated temperature rating up to 302°F and solids handling up to 10%.

Robust ceramic/SiC shafts have front & rear support, eliminating shaft deflection and allowing full-curve operation

* ANSI dimensional

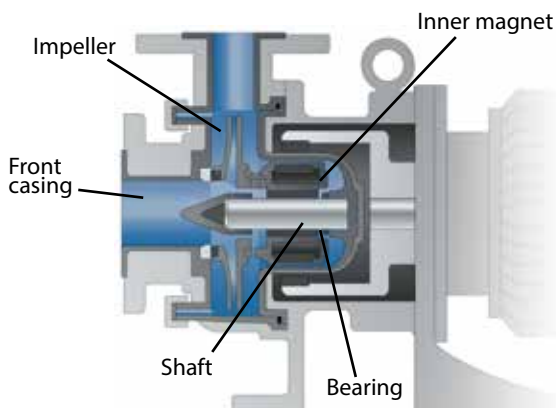
Model	Connections Suction x Discharge 150# (inch)	Min Flow Rate (GPM)	Max. Head (ft)	Max. Capacity (GPM)	Motor HP
1516*	1½ x 1	5	117	60	2 / 3
1518*	1½ x 1	5	173	70	5 / 7.5 / 10
1518-2*	1½ x 1	13	348	120	7.5 / 10 / 15 / 20 / 25
2156	2 x 1½	13	131	150	5 / 7.5 / 10
2158	2 x 1½	13	329	160	7.5 / 10 / 15 / 20 / 25
2526	2½ x 2	13	155	250	5 / 7.5 / 10
326*	3 x 2	13	176	350	7.5 / 10 / 15 / 20 / 25



MXM Series

Cost Effective, Sub ANSI Design for Lower Flow Applications

MXM Series is a compact, cost efficient option where applications fall below ANSI dimensional pumps. The MXM is rated to 160 GPM and TDH up to 142 feet. The MXM comes standard with corrosive resistant ETFE Teflon® internals, 150# ANSI flanges and a back pull-out design for easy maintenance.



Model	Connection Size Suction x Discharge	Min. Flow (GPM)	Max. Head (ft)	Max. Capacity (GPM)	Motor/Frame
MXM-22_1	1" x 1"	2.5	38	55	½ - 1 HP / 56C
MXM-22_2		2.5	63	55	
MXM-44_1	1½" x 1½"	5.5	80	75	1 HP / 56C
MXM-44_2		5.5	95	72	2 HP / 145 TC
MXM-542_	2.0" x 1½"	5.5	96	115	2 HP / 145 TC
MXM-543_		5.5	122	160	3 HP / 182 TC
MXM-545_		13.2	142	160	5 HP / 184 TC

MX-(F) Series

High efficiency volute design for improved pump efficiencies

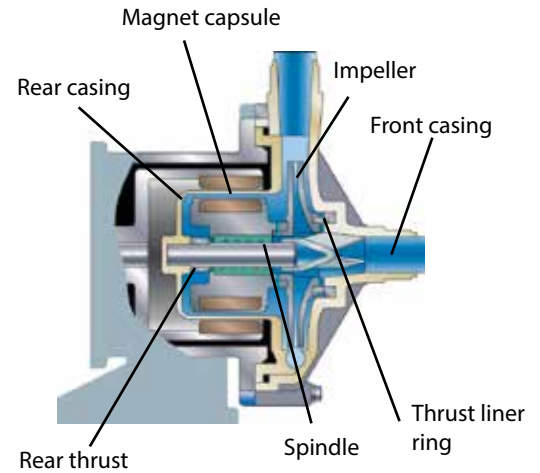
2-piece impeller/magnet design lowers parts costs

MX-(F) Series is available in both glass-filled reinforced polypropylene and ETFE Teflon®. It is rated to 130 GPM and TDH to 126 feet. Male by male NPT connections and NEMA-C-faced motors make the MX series incredibly easy to install and operate.



MX Model	Suction x Discharge (NPT)	Max. Discharge Pressure (ft)	Max. Flow (GPM)	Motor Output @ 60 Hz (HP)		
Polypropylene	250	1" x 1"	53	40	0.5	
	251	1" x 1"	75	40	1.0	
	400	6	1.5" x 1.5"	38	70	0.75
		7	1.5" x 1.5"	43	70	0.75
	401	6	1.5" x 1.5"	59	80	1.5
		7	1.5" x 1.5"	68	80	1.5
	402	2" x 1.5"	73	107	2	
	402H	2" x 1.5"	99	45	2	
	403	2" x 1.5"	101	130	3	
	403H	2" x 1.5"	126	70	3	
505*	2.5" x 2"	86	225	5		
Teflon®	F250	1" x 1"	48	43	0.5	
	F251	1" x 1"	69	40	1	
	F400	V	1.5" x 1.5"	43	65	0.75
		X	1.5" x 1.5"	34	65	0.75
	F401	V	1.5" x 1.5"	68	86	1.5
		X	1.5" x 1.5"	50	75	1.5
	F402	2" x 1.5"	70	120	2	
	F403	2" x 1.5"	93	130	3	

* Flange only

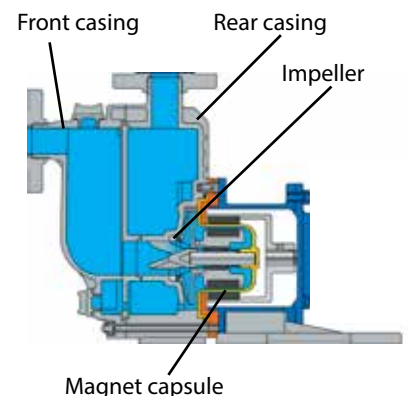


SMX-(F) Series

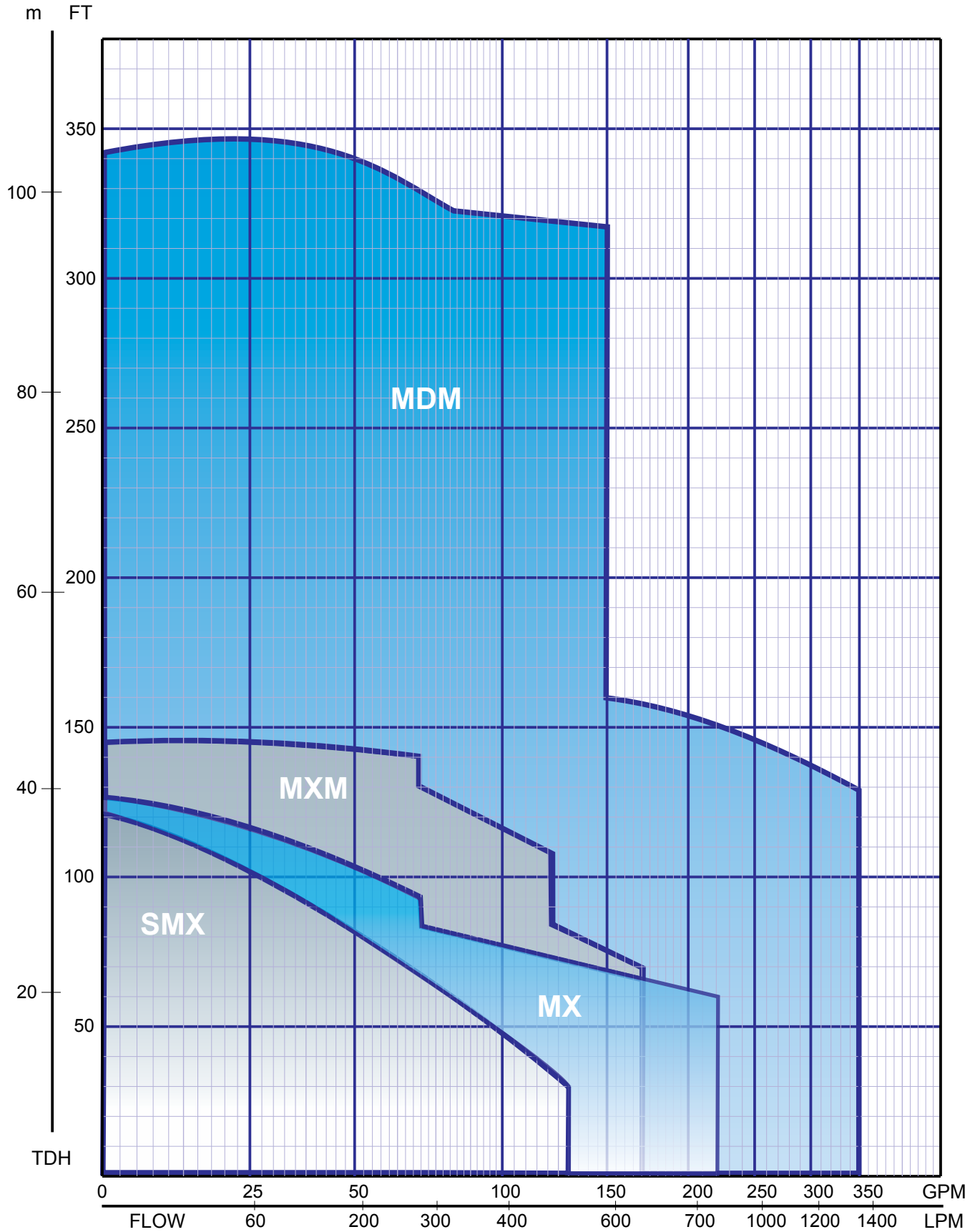
Self-priming

SMX-(F) Series is a self-priming compact pump that is capable of lifting up to 13 feet of fluid in under 90 seconds. Available in 10 different flow configurations, this polypropylene or ETFE Teflon® pump produces flows over 130 GPM and TDH up to 120 feet.

SMX Model	Connections Suction x Discharge	Impeller Code	Max Capacity @ 60 Hz (GPM)	Max Head (ft)	Min Flow Rate (GPM)	Motor (RPM)	Motor (HP)
(F)220	1 x 1	Y	25	35	2.6	3500	½
(F)221	1 x 1	X	45	60	2.6	3500	1
(F)221	1 x 1	Y	34	35	2.6	3500	1
(F)222	1 x 1	X	45	60	2.6	3500	2
(F)441	1½ x 1½	Y	74	49	2.6	3500	1
(F)442	1½ x 1½	X	90	84	2.6	3500	2
(F)443	1½ x 1½	X	90	84	2.6	3500	3
(F)543	2 x 1½	Z	110	96	5.3	3500	3
(F)545	2 x 1½	Y	132	112	5.3	3500	5
(F)545	2 x 1½	X	132	119	5.3	3500	5



M Series Performance



M

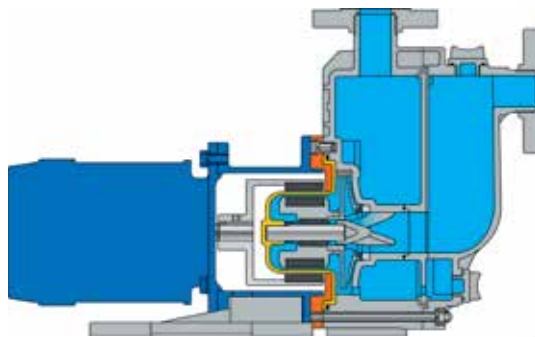
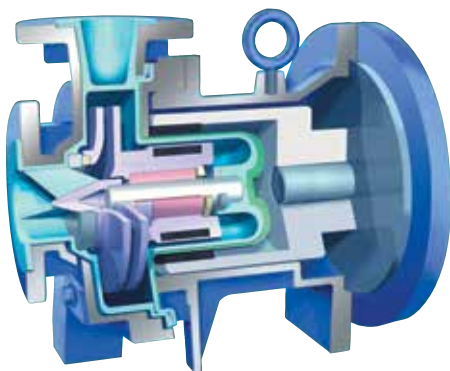
series

- **Chemical Transfer**
- **Filling/Toting**
- **Semiconductor**
- **Ethanol**
- **Plating**
- **Biodiesel**

- **Sulfuric Acid**
- **Bleach**
- **Caustic Soda**
- **Hydrochloric Acid**
- **Ammonia**
- **Nitric Acid**

M Series Dry-Run Capable Pumps

Iwaki America is proud to offer our M Series pumps for your toughest chemical handling applications. All M Series pumps feature our non-contact, dry-run capable structure. When fitted with a carbon bearing, the M Series allows for periods of repeatable dry running with no damage to the pump. This proven non-contact principle also greatly improves the ability to withstand cavitation, poor suction conditions and running against a closed discharge valve. During adverse operating conditions, the M Series high strength magnets align to open contact points in the front or rear of the pump preventing damage to internal bearing surfaces and surrounding materials.



Accessories



Power Monitor

The Emotron M20® monitors the input power to the pump. Capable of detecting both over-load and under-load conditions, the monitor offers protection from off-design conditions such as:

- Dry running
- Dead head
- End of curve
- Cavitation
- Excessive bearing wear

Specifications:

Two output relays, an analog output and a display for load indication and parameter settings.

Supply Voltage:	100-240 VAC / 380-500 VAC / 525-690 VAC
Frequency:	50 Hz / 60 Hz
Rated Current:	Up to 999 A via current transformer
Protection Class:	IP20
Approvals:	CE, UL, cUL
Options:	NEMA 4X/ Panel Mount Kits



Non-Metallic Baseplates

Corrosion resistant Basetek® polymer concrete non-metallic bases are available for larger M-Series products. Bases use stainless steel inserts as a standard and are available with optional grout holes, and drip pan. These non-metallic bases are designed to accommodate all of our close-coupled designs and complement the rugged quality and corrosion resistance of our M-Series products.

Our Company

Iwaki America Inc. is one of over 25 global centers for the manufacturing and support of Iwaki pumps. Our 50 plus years of pump design engineering has made us a worldwide leader of the best chemical handling equipment used in OEM, Industrial, Chemical Process and Semiconductor applications. With the Walchem product line, we are also the leading manufacturer of on-line analytical instruments and electronic metering pumps. We provide innovative solutions by integrating our instruments, sensors, fluid handling and extensive remote data communications technologies.



Iwaki America has a state-of-the-art manufacturing facility in Holliston, Massachusetts, located 30 miles southwest of Boston. Our modern facilities provide enhanced communications, focus on research and development, sales, customer service and manufacturing and allow for enthusiastic and productive employees, many of whom have been with the company for decades. We utilize the best data management techniques to serve our customers in the excellent manner they have come to expect from us.

Quality Statement

Iwaki America recognizes the importance of providing true value to its customers from the initial stages of design specification review to the manufacturing and support of the final product. It is our goal to provide the best technical solution possible and the highest quality product in every pump design we produce. With over 900,000 pumps manufactured annually, our quality has been proven by our customers' satisfaction and documented defect rate of less than 0.01 %.

All products are manufactured under an ISO9001:2008 quality system with the required design process, materials control and manufacturing documentation in place to certify our products will meet the performance and quality specifications required by our users.

Our organization's commitment to quality is integral with our mission statement reinforcing the importance of providing superior products and just as important, superior customer service. Iwaki quality is not just in the physical product, but in every aspect of our business.



www.IwakiAmerica.com



IALT00130.H Dec 2014