

Magnetic Drive Pump

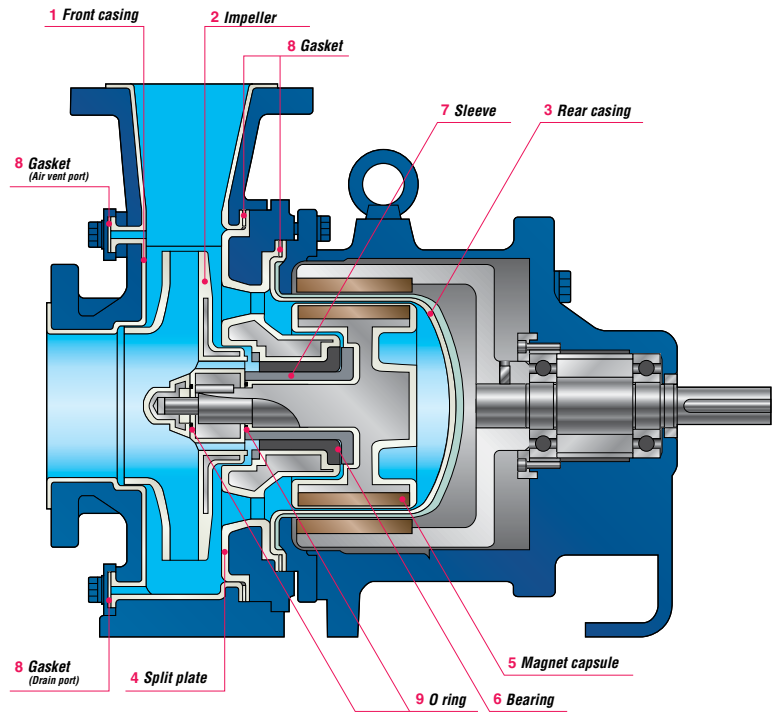


The MDW Series are the largest fluoroplastic magnetic drive pumps in the world, offering high efficiency and durability for chemical process applications.

- **High discharge capacity, High head and high efficiency** - The heavy-duty MDW is capable of a maximum discharge capacity of 5,000 L/min and max. discharge head of 98m, enabling applications in previously unexplored areas with a wide range of liquid specific gravities.
- **Highly chemically resistant** - Fluoroplastic and fine ceramic wetted parts offer high resistance to virtually every industrial chemical, irrespective of concentration.
- **Robust structure** - Use of the high strength ductile cast iron external armour is mandatory for heavy duty chemical process applications. High casing pressure resistance is achieved with a unique rear casing design preventing stress concentration and incorporating a triple-layer structure (PAT). A special metal shaft is used on the MDW to withstand high radial forces and allow continuous extended operation even under harsh service conditions.
- **Back pullout system** - The back pullout system allows easy maintenance and inspection without removing pipework. Integrated components and a sealed rear casing support structure enable motor removal safely without chemical leakage.
- **ISO compliant** - The MDW is dimensionally compliant with the international standard (ISO2858, 3661) and is interchangeable with conventional sealed centrifugal pumps.



Part	Name	MDW50	MDW80,100
1	Front casing	PFA	ETFE
2	Impeller	PFA	CFRETFE
3	Rear casing	PFA	
4	Split plate	PFA	
5	Magnet capsule	PFA	
6	Bearing	SiC	
7	Sleeve	SiC	
8	Gasket	PTFE	
9	O-Ring	Kalrez®	



Model Identification

MDW 100 - 200 E K Z C 750 J - D 2

- Pump size**
50: 80mm x 50mm
80: 125mm x 80mm
100: 125mm x 100mm
- Nominal impeller size**
170 to 260
- Wet-end main material**
E: ETFE, CFRETFE, PFA
P: PFA
- Material of Bearing/Sleeve**
K: SiC
- Material of O-ring**
Z: Kalrez®
- Type of motor**
C: Foot mounted type motor
- Motor poles**
2: 2P
4: 4P
- Motor output**
110 to 750: 11kW to 75kW
- Pump standard**
J: JIS flange
- Special version**
A: Without drain + With base, coupling, coupling cover
S: Without drain + With base, coupling, coupling cover + Special version
D: With drain + With base, coupling, coupling cover
X: With drain + With base, coupling, coupling cover + Special version
B: Without drain + Without base, coupling, coupling cover
Y: Without drain + Without base, coupling, coupling cover + Special version
E: With drain + Without base, coupling, coupling cover
Z: With drain + Without base, coupling, coupling cover + Special version

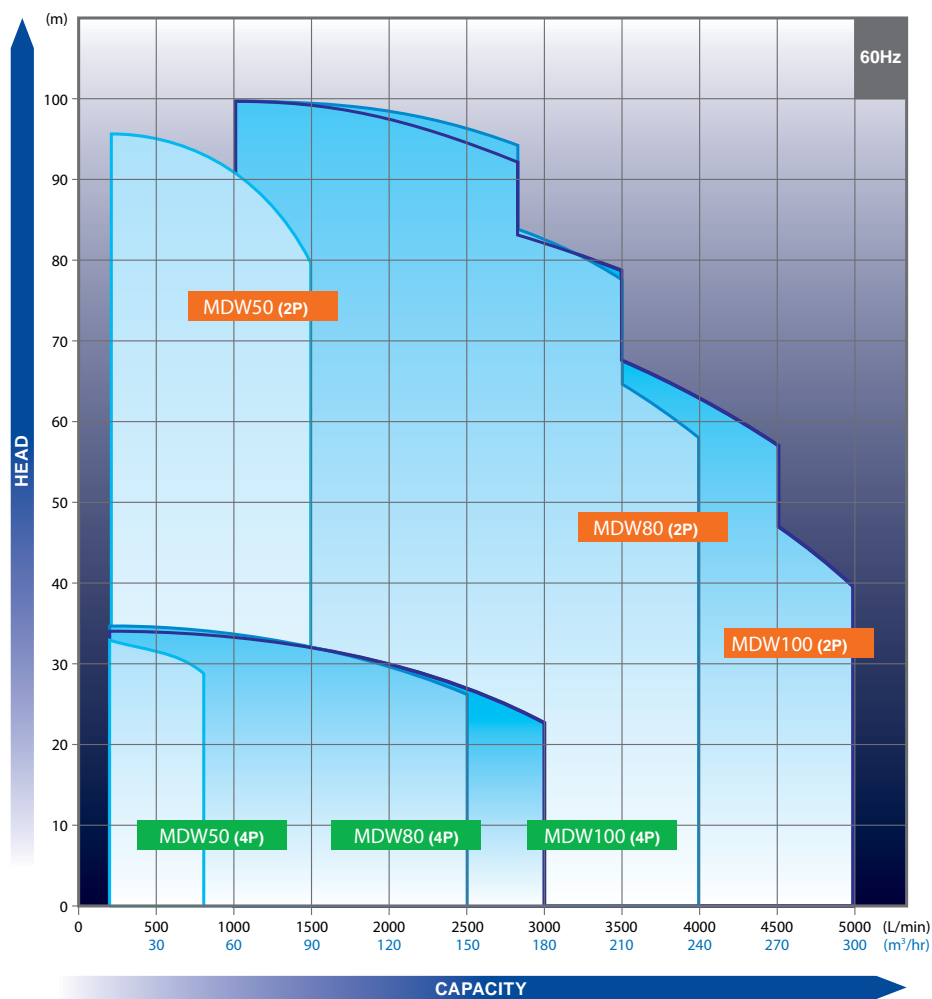
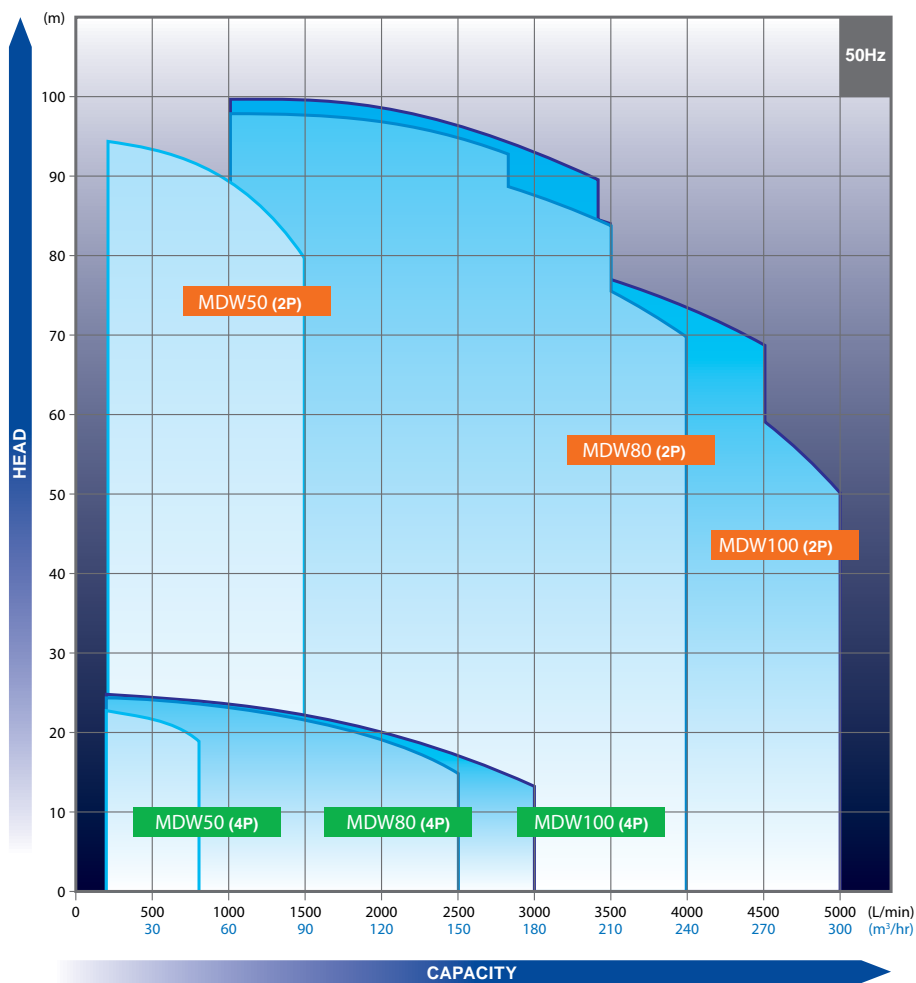
Specifications

50/60 Hz

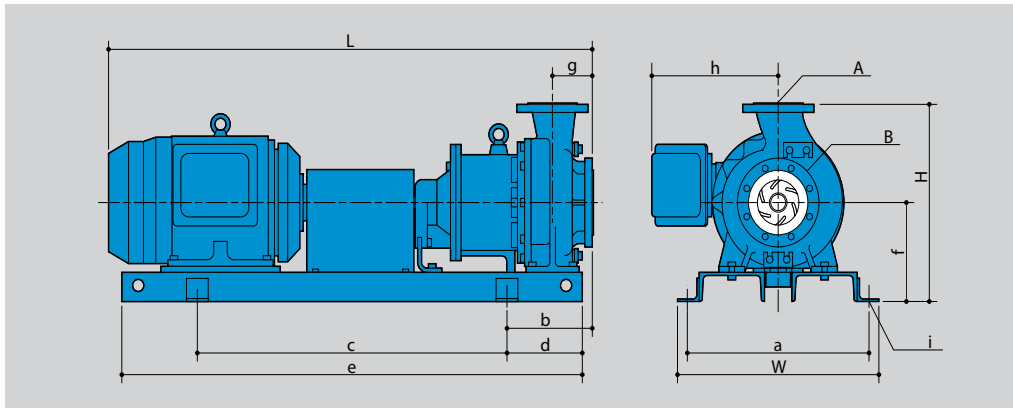
Model	Pump Size (mm)		Nominal Impeller Size	Capacity		Head (m)	Motor (kw)	
	Suction	Discharge		L/min	m³/hr			
MDW-50	80	50	250/220	833/1000	50/60	83/93	2P	22, 30, 37, 45, 55, 75
			250/260	417/500	25/30	21.5/31	4P	11, 15, 18.5, 22, 30, 37
MDW-80	125	80	250/220	2667/2000	160/120	90/99	2P	37, 45, 55, 75
			255/255	1333/2000	80/120	23/30	4P	11, 15, 18.5, 22, 30, 37
MDW-100	125	100	200/200	3333/2000	200/120	62/97	2P	37, 45, 55, 75
			235/235	1667/2000	100/120	21.5/30	4P	11, 15, 18.5, 22, 30, 37

MDW

series



Dimensions



Model	Motor output (kW)	W	H	L*	a	b	c	d	e	f	g	h	i	A	B	Mass (kg)										
MDW50	2P	22	(540)	(485)	(1397)	500	(255)	840	205	1250	260	125	(380)	4xø23	50A	80A	420									
		30			(1435)												430									
		37	(610)	(505)	(1495)												550	(280)	940	230	1400	280	(400)	4xø27	530	
		45																							(1508)	545
		55																							(1645)	580
	75	(660)	---	(1645)	600	(320)	1060	270	1600	330	---	---	---	---	---	735										
	4P	11	(540)	(485)	(1350)	500	(255)	840	205	1250	260	125	(259)	4xø23	50A	80A	320									
		15			(1397)												335									
		18.5			(1435)												395									
		22			(1525)												405									
30		(1525)			435																					
37		(610)	(505)	(1525)	550												(280)	940	230	1400	280	(400)	4xø27	540		
MDW80	2P	37	(610)	(580)	(1535)	550	(265)	940	230	1400	300	125	(400)	4xø27	80A	125A	515									
		45			(1548)												530									
		55			(1685)												570									
		75	(660)	---	(1685)												600	(305)	1060	270	1600	330	---	---	---	790
	4P	11	(540)	(580)	(1390)	500	(240)	840	205	1250	300	125	(259)	4xø23	80A	125A	335									
		15			(1437)												350									
		18.5			(1475)												415									
		22			(1565)												425									
		30			(610)												---	(1565)	550	(265)	940	230	1400	(400)	4xø27	465
		37	(610)	(560)	(1565)												550	(265)	940	230	1400	(400)	4xø27	520		
MDW100	2P	37	(610)	(560)	(1535)	550	(265)	940	230	1400	280	125	(400)	4xø27	100A	125A	510									
		45			(1548)												530									
		55			(1685)												620									
		75	(660)	---	(1685)												600	(305)	1060	270	1600	330	---	---	---	760
	4P	11	(540)	(560)	(1390)	500	(240)	840	205	1250	280	125	(259)	4xø23	100A	125A	340									
		15			(1437)												355									
		18.5			(1475)												420									
		22			(1565)												430									
		30			(610)												(560)	(1475)	550	(265)	940	230	1400	(400)	4xø27	470
		37	(610)	(560)	(1565)												550	(265)	940	230	1400	(400)	4xø27	515		

* Based on motor manufacturer