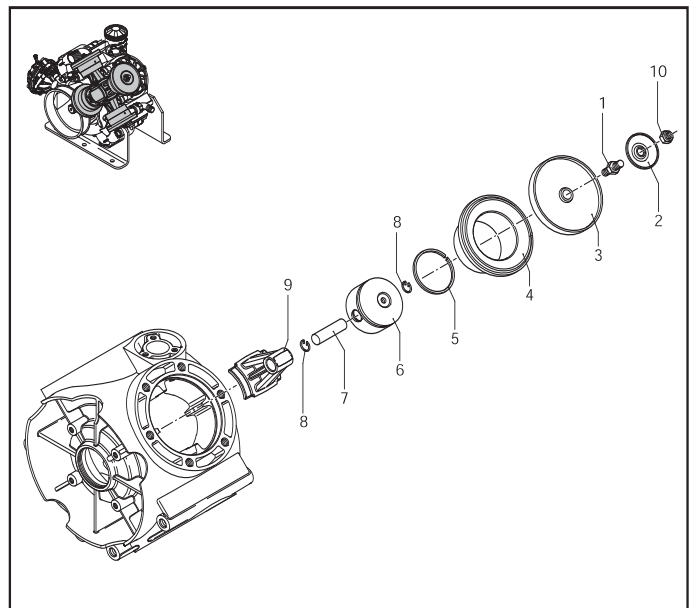
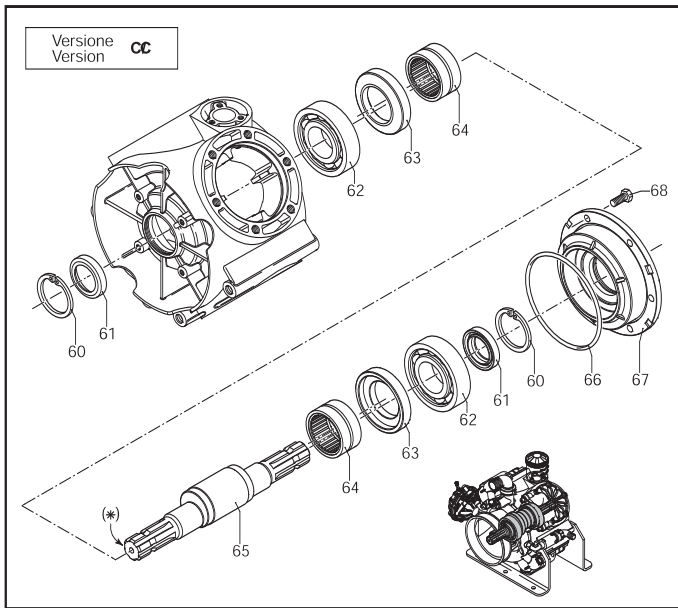
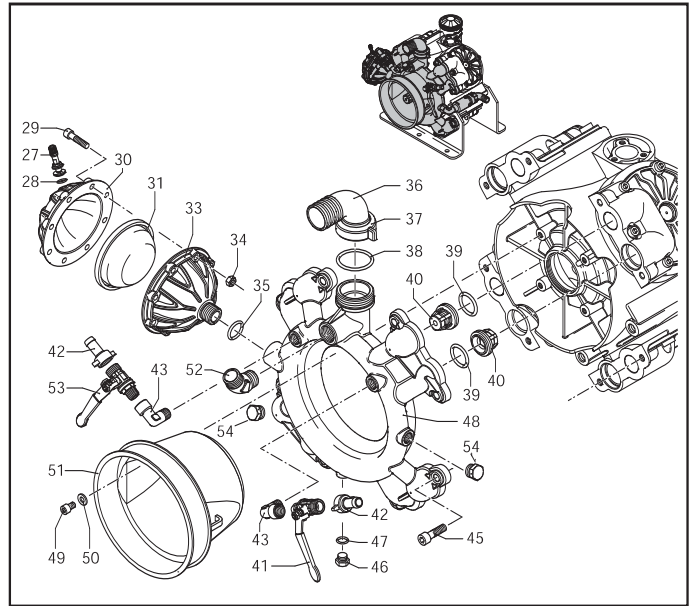
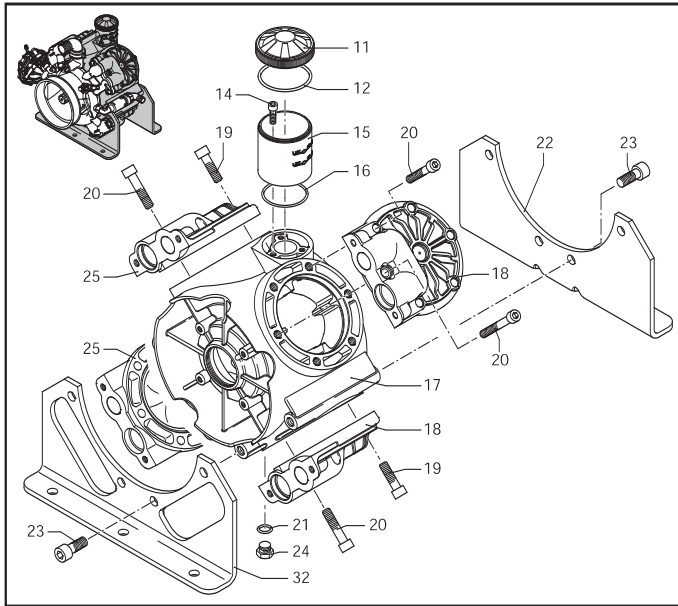


Parts Illustrations for Models 9910-DBS160 and 9910-DBS200



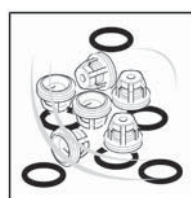
Parts List for Models 9910-DBS160 and 9910-DBS200

REF. NO.	PART NUMBER	DESCRIPTION	QTY. REQ'D
1	9910-2240100	Diaphragm pin	4
2	9910-580090	Retaining washer	4
3	9910-2240080	Diaphragm, Buna	4
4	9910-2240050	Sleeve DBS160	4
4	9910-2240340	Sleeve DBS200	4
5	9910-260230	Piston ring DBS160	4
5	9910-2240360	Piston ring DBS200	4
6	9910-2240060	Piston DBS160	4
6	9910-2240350	Piston DBS200	4
7	9910-260700	Piston pin DBS160	4
7	9910-540070	Piston pin DBS200	4
8	9910-160691	Pin ring	8
9	9910-2380050	Connecting rod	4
10	9910-2240110	Nut	4
11	9910-1800060	Black cap DBS160	1
11	9910-750050	Red cap DBS200	1
12	9910-1040060	O-Ring	1
14	9910-540290	Bolt	3
15	9910-2240070	Oil sight glass	1
16	9910-2240270	O-Ring	1
17	9910-2380010	Pump body DBS160	1
17	9910-2380011	Pump body DBS200	1
18	9910-2240030	Right head	2
19	9910-2240180	Bolt	20
20	9910-2240220	Bolt	4
21	9910-180101	O-Ring	1
22	9910-2380040	Base	1
23	9910-2380060	Bolt	8
24	9910-820361	Plug	1
25	9910-2240031	Left head	2
27	9910-180020	Air valve	1
28	9910-650542	Gasket	1
29	9910-680350	Bolt	8
30	9910-2240300	Upper air chamber	1
31	9910-550190	Diaphragm, Buna	1
32	9910-2380030	Base	1
33	9910-2240310	Lower air chamber	1
34	9910-380240	Nut	8
35	9910-720030	O-Ring	1
36	9910-2240210	Elbow 1-1/2"	1
37	9910-2240200	Ring nut	1
38	9910-390210	O-Ring	8
39	9910-680070	O-Ring	8
40	9910-759051	Complete valve	8
41	9910-130491	Right valve	1

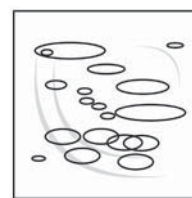
REF. NO.	PART NUMBER	DESCRIPTION	QTY. REQ'D
42	9910-110130	Hose barb 1/2"	2
43	9910-2240260	Valve elbow	2
45	9910-650330	Bolt	8
46	9910-880581	Cap, brass	1
47	9910-820510	O-Ring	1
48	9910-2380020	Manifold	1
49	9910-850250	Bolt	4
50	9910-390311	Washer	4
51	9910-1500470	Shield	1
52	9910-851650	Outlet elbow	1
53	9910-KIT2497	Left valve	1
54	2406-0023	Plug	1
60	9910-2240160	Snap ring	2
61	9910-2240150	Seal ring	2
62	9910-2240430	Bearing	2
63	9910-2240121	Con rod ring	2
64	9910-850320	Roller bearing	2
65	9910-2240173	Crankshaft	1
66	9910-2240290	O-ring	1
67	9910-2240020	Flange	1
68	9910-160670	Bolt	6



9910-KIT2456 Diaphragm Kit	
REF. NO.	QTY.
3	4



9910-KIT2374 Valve Kit	
REF. NO.	QTY.
39	8
40	8



9910-KIT2457 O-Ring Kit	
REF. NO.	QTY.
12	1
16	1
21	1
35	1
38	1
39	8
47	1
66	1

REF. NO.	DESCRIPTION	Tightening Torque	
		In Lbs.	Nm
1	Dia. Pin	262.5	29.4
10	Nut	262.5	29.4
14	Bolt	87.5	9.8
19	Bolt	435.5	49.0
20	Bolt	435.5	49.0
23	Bolt	435.5	49.0
24	Plug	171.4	19.6
27	Air valve	34.5	3.9
29	Bolt	171.4	19.6
45	Bolt	350.0	39.2
46	Brass cap	171.4	19.6
49	Bolt	87.5	9.8
54	Plug	171.4	19.6
68	Bolt	350.0	39.2