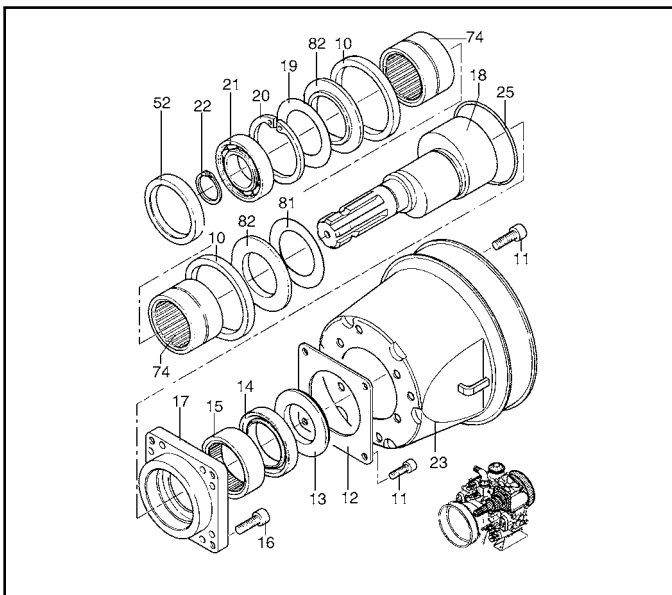
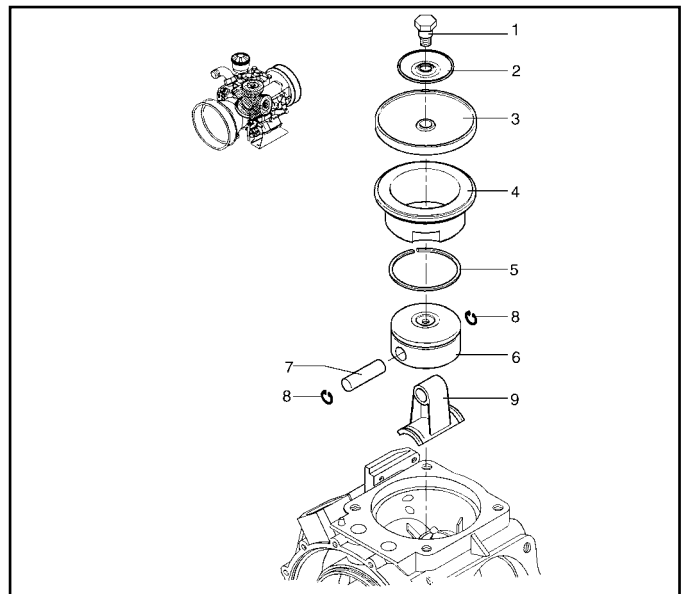
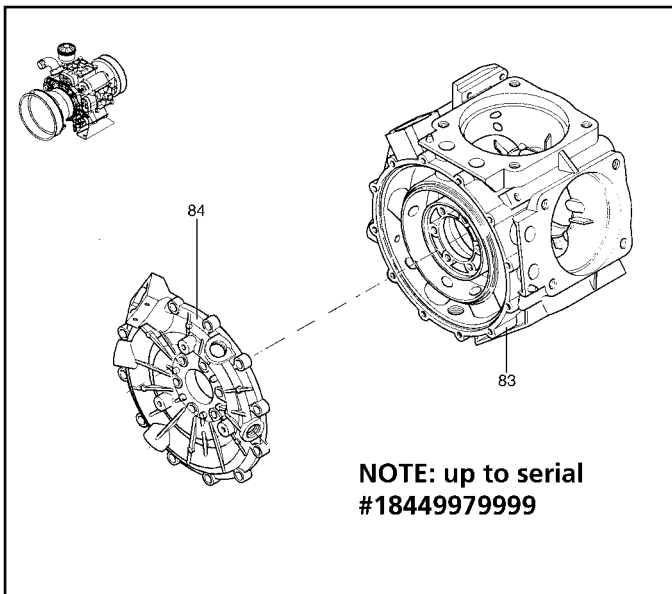
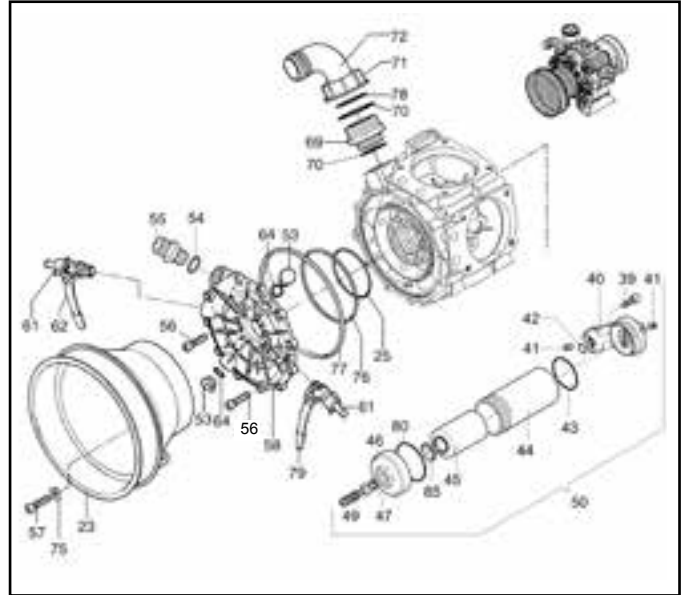
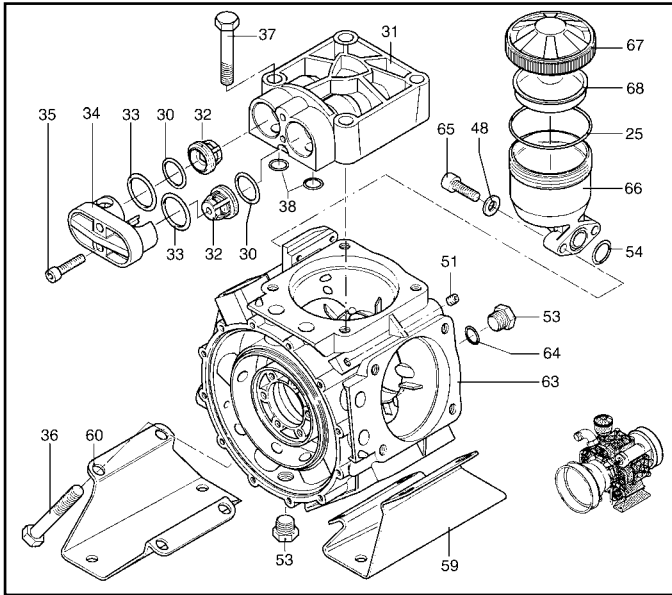
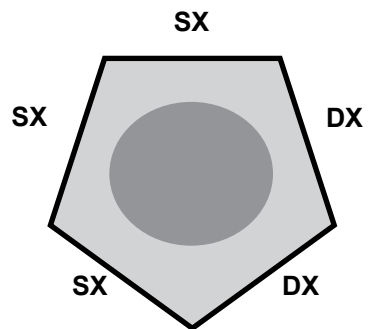


# Parts Illustrations for Model 9910-D1265



**NOTE: Head setup from Valve Cap side**



## Parts List for Model 9910-D1265

REF. NO.	PART NUMBER	DESCRIPTION	QTY. REQ'D.
1	9910-580360	Retaining bolt	5
2	9910-1040180	Diaphragm retainer washer	5
3	9910-1040080	Diaphragm-Desmopan (Std.)	5
3A	9910-1040081	Diaphragm-Buna-N (Opt.)	5
3B	9910-104008T	Diaphragm, Buna-N with Teflon Coating (Opt.)	5
4	9910-1500080	Piston sleeve	5
5	9910-650190	Piston ring	5
6	9910-1040120	Piston	5
7	9910-1040070	Connecting pin	5
8	9910-1040270	Snap ring	10
9	9910-1840110	Connecting rod	5
10	9910-1500181	Retaining ring	2
11	9910-820670	M10x16 Bolt	4
12	9910-1400140	Flange	1
13	9910-1400110	Support washer	1
14	9910-1400150	Seal	1
15	9910-650200	Needle bearing	1
16	9910-180030	M8x20 Bolt	8
17	9910-1400040	Flange	1
18	9910-1400320	Crankshaft	1
19	9910-1400090	Spacer	1
20	9910-161050	Retainer ring	1
21	9910-1409010	Bearing	1
22	9910-1040570	Retainer ring	1
23	9910-1500470	Shield	1
24	9910-1400030	Flange	1
25	9910-1040060	O-ring	3
26	9910-160740	Seal ring	1
27	9910-1500290	Bearing	2
28	9910-1500310	Spacer	1
29	9910-1400310	Shaft	1
30	9910-620030	O-ring	10
31	9910-1040551	Head (DX)	2
31	9910-1040552	Head (SX)	3
32	9910-1409050	Valve assembly	10
33	9910-540361	O-ring	10
34	9910-1300190	Valve retainer	5
35	9910-620610	M8x30 Bolt	10
36	9910-1400260	M12x70 Bolt	16
37	9910-1500240	M12x60 Bolt	4
38	9910-770571	O-ring	10
39	9910-320360	M8x22 Bolt	2
40	9910-1800320	Mount	1
41	9910-1040470	Plug	2
42	9910-640070	O-ring	1
43	9910-540360	O-ring	1
44	9910-1800280	Pulsation damper body	1
45	9910-1800300	Diaphragm	1
46	9910-1800270	Pulsation damper cap	1
47	9910-650542	O-ring	1
48	9910-380241	Washer	2
49	9910-1800350	Air valve	1
50	9910-KIT1538	Pulsation damper assembly	1
51	9910-770070	Plug	1
52	9910-1040050	Oil seal	1
53	2406-0023	Plug	5
54	9910-390180	O-ring	2
55	9910-850740	Threaded adapter (outlet)	1
56	9910-540290	M8x25 Bolt	18
57	9910-1343510	M6x14 Bolt	3
58	9910-1840140	Manifold	1
59	9910-1400050	Right base	1
60	9910-1400060	Left base	1
61	9910-110130	Hose barb 1/2"	2
62	9910-130491	Outlet ball valve w/o barb	1
63	9910-1840130	Pump body	1
64	9910-740290	O-ring	3

REF. NO.	PART NUMBER	DESCRIPTION	QTY. REQ'D.
65	9910-680350	M8x35 Bolt	2
66	9910-680031	Oil reservoir	1
67	9910-1800060	Black cap	1
68	9910-680040	Oil breather cap	1
69	9910-540530	Threaded adapter	1
70	9910-250310	O-ring	2
71	9910-540540	Hose barb nut	1
72	9910-540550	Hose barb 1-1/2"	1
73	9910-1500320	Spacer	2
74	9910-1500170	Bearing	2
75	9910-881710	Washer	3
76	9910-851360	O-ring	1
77	9910-1400290	O-ring	1
78	9910-390210	O-ring	1
79	9910-130492	Outlet ball valve w/barb	1
80	9910-650560	Dampener o-ring	1
81	9910-1500100	Spacer	1
82	9910-1500150	Spacer	2
83	9910-1400011	Pump body	1
84	9910-1400280	Manifold	1
85	9910-1800311	Plate	1

Ref. No.	Description	Tightening Torque	
		In. Lbs.	Nm
1	Bolt	304.8	34.3
11	Bolt	171.4	19.6
16	Bolt	171.4	19.6
35	Bolt	171.4	19.6
36	Bolt	435.5	49.0
37	Bolt	435.5	49.0
39	Bolt	171.4	19.6
53	Plug	171.4	19.6
56	Bolt	171.4	19.6
57	Bolt	171.4	19.6
65	Bolt	87.5	9.8



9910-KIT2100 Diaphragm Kit Desmopan	
Ref. No.	Qty.
3	5
38	10



9910-KIT2024 Valve Kit	
Ref. No.	Qty.
30	10
32	10
33	10



9910-KIT2347 O-Ring Kit	
Ref. No.	Qty.
25	3
30	10
33	10
38	10
42	1
43	1
54	2
64	3
70	2
76	1
77	1
78	1

**NOTE:** When ordering parts, give QUANTITY, PART NUMBER, DESCRIPTION, and COMPLETE PUMP MODEL NUMBER. Reference numbers are used ONLY to identify parts in the drawing and are NOT to be used as order numbers.