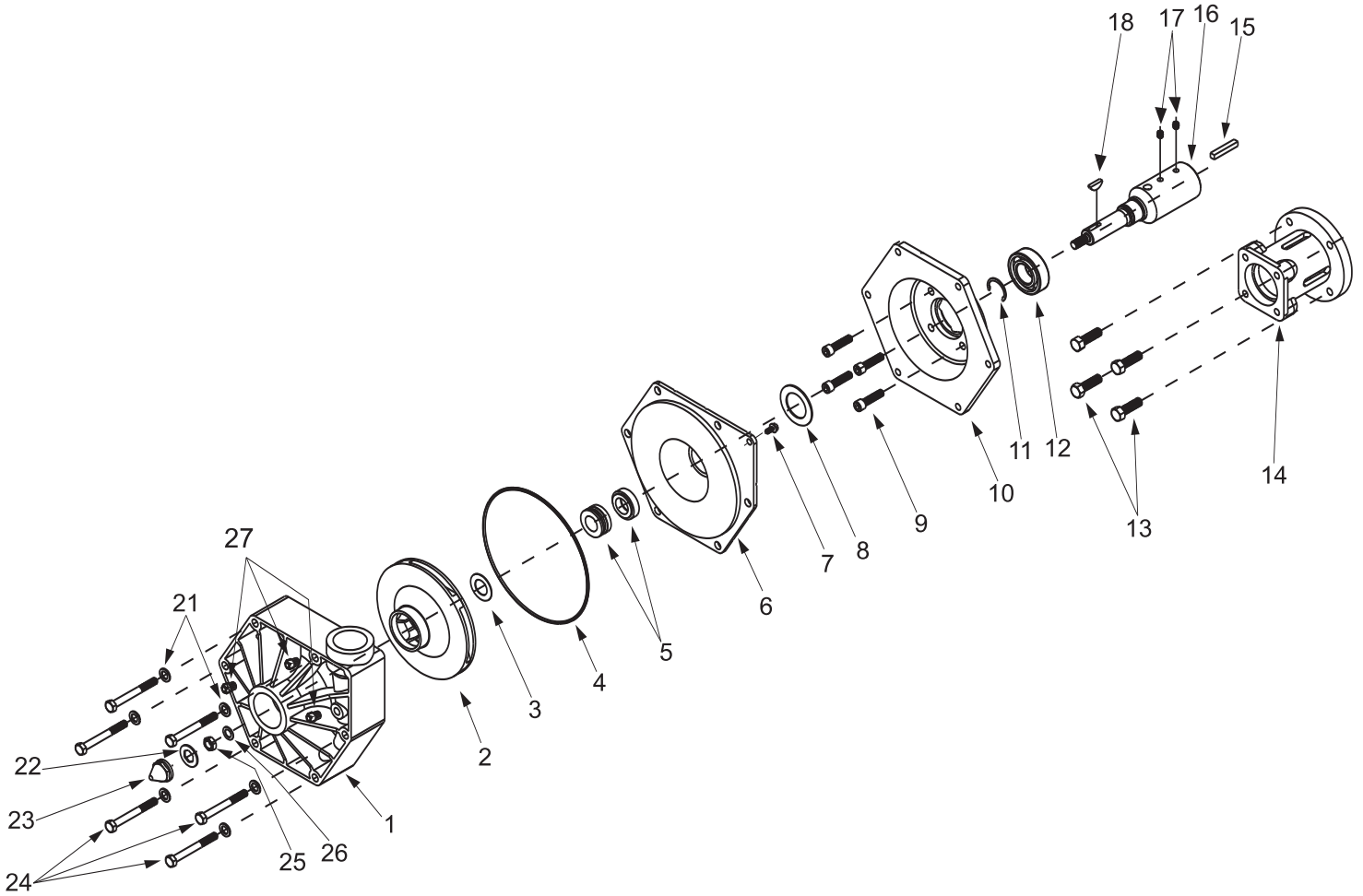


Model 9513P

(CW Rotation when viewed from shaft end)



Seal Kit for 9513P
No. 3430-0333 consists of:
(1) Ref. 3 Gasket
(1) Ref. 4 O-ring
(1) Ref. 5 Mechanical Seal
(1) Ref. 22 Gasket
(1) Ref. 26 Washer

Silicon Carbide Seal Kit for 9513P
No. 3430-0590 consists of:
(1) Ref. 4 O-ring
(1) Ref. 5 Mechanical Seal
(1) Ref. 22 Gasket
(1) Ref. 26 Washer

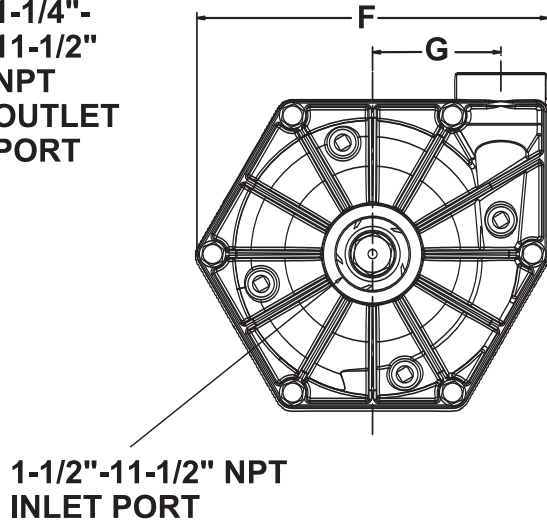
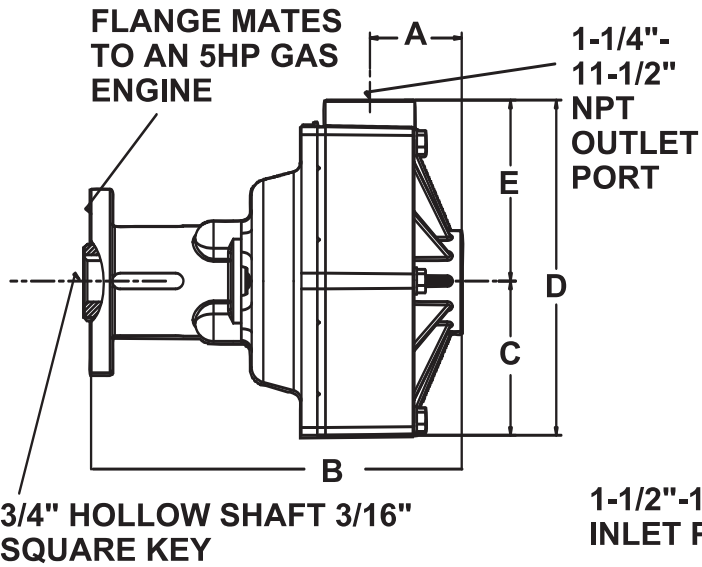
Note: When ordering parts, give quantity, part number, description and complete model number. Reference numbers are used ONLY to identify parts in the drawing and NOT to be used as order numbers.

Ref. No.	Qty. Req'd.	Part No.	Description
1	1	0701-9500P	Pump Casing
2	1	0402-9000P	Impeller (Polypropylene)
3	1	1700-0101	Gasket
4	1	1721-0083	O-Ring
5	1	2120-0011	Mechanical Seal
6	1	0700-9500P	Back Cover
7	1	2210-0088	Screw
8	1	1410-0082	Spacer
9	4	2220-0055	Socket Head Capscrew
10	1	0702-9500C	Intermediate Flange
11	1	1810-0013	Retainer Ring
12	2	2008-0001	Bearing
13	4	2210-0077	Hex head bolt
14	1	0705-9500C	Flange

Ref. No.	Qty. Req'd.	Part No.	Description
15	1	1610-0004	Key
16	1	0508-9500	416 Stainless Shaft
17	2	2230-0017	Set Screw
18	1	1610-0042	Woodruff Key (316 SS)
21	6	2270-0041	Washer
22	1	1700-0097	Gasket
23	1	2250-0052	Impeller Nut
24	6	2210-0087	Hex Head Capscrew
25	1	2250-0051	Jam Nut
26	1	2270-0057	Washer
27	4	2406-0020	Plug

9513P Based on 5.5 Honda Engine						English Standard
GPM at 0 PSI	GPM at 10 PSI	GPM at 20 PSI	GPM at 30 PSI	GPM at 40 PSI	GPM at 50 PSI	GPM at 60 PSI
92	91	88	81	70	58	42

9513P Based on 5.5 Honda Engine						Metric
LPM at 0.0 BAR	LPM at 0.7 BAR	LPM at 1.4 BAR	LPM at 2.1 BAR	LPM at 2.8 BAR	LPM at 3.4 BAR	LPM at 4.1 BAR
348	344	333	307	265	220	159



9513P Dimensions		
	Inches	mm
A	2.19	55.6
B	8.83	224.3
C	3.68	93.5
D	7.99	202.9
E	4.31	109.5
F	8.38	212.9
G	3.06	77.7