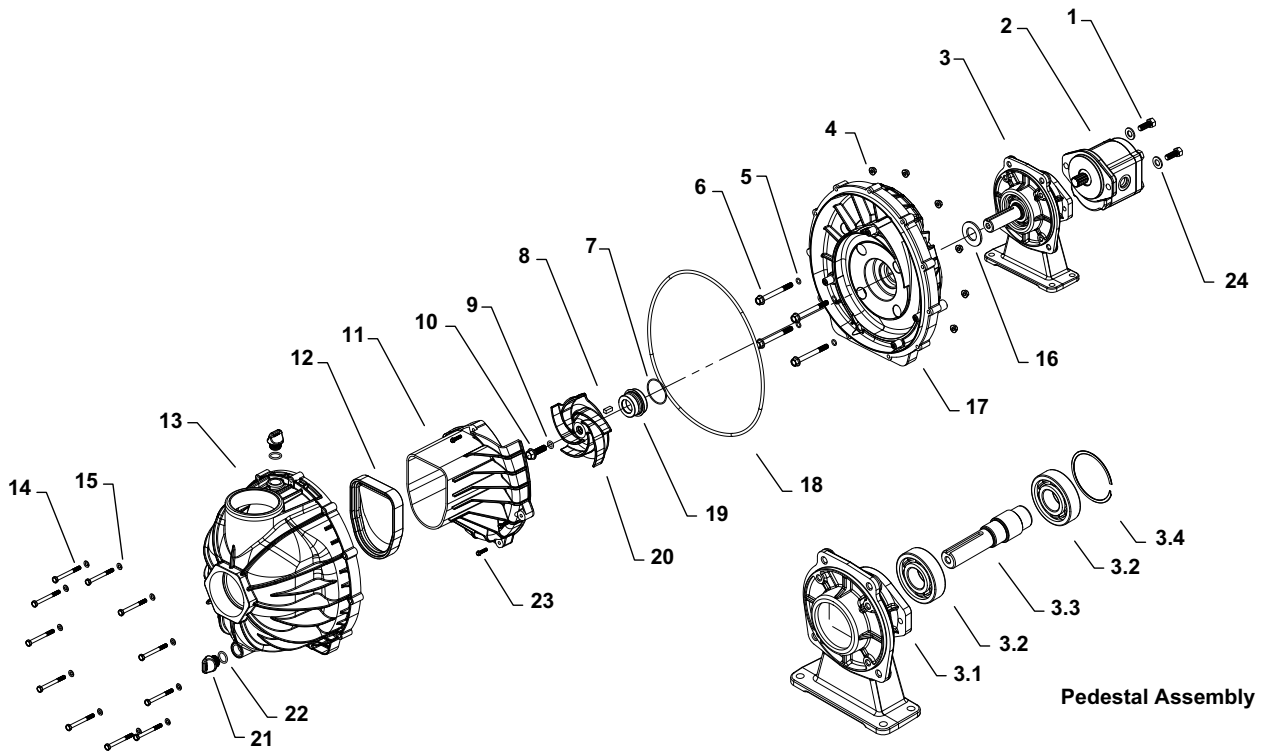


9343P-GM6-SP and 9343P-GM10-SP Hydraulic-Driven, Self-priming, Polypropylene Transfer Pumps



Seal Repair Kit 3430-0757 contains:
 (4) Ref. 3 O-ring, (1) Ref. 5 Mechanical Seal O-ring, (1) Ref. 17 Mechanical Seal, (1) Ref. 7 Impeller O-ring, (1) Ref. 10 Flapper, and (1) Ref. 16 Body O-ring.

Pedestal Assembly 0751-9343A contains:
 (1) Ref. 3.1 Pedestal, (2) Ref. 3.2 Ball Bearing, (1) Ref. 3.3 Pump Shaft, and (1) Ref. 3.4 Snap Ring.

Ref #	Torque Spec.
#1	10 ft.-lbs.
#6	10 ft.-lbs.
#10	10 ft.-lbs.
#14	45 in.-lbs.
#23	24 in.-lbs.

Pump Head Kit 3430-0692 Includes all items less the mounting bolts (Ref. 1), motor (Ref. 2), and pedestal (Ref. 3).

Motor Repair Kit 3430-0788 for GM6 and GM10 Includes all seal and gasket components.

Ref. No.	Qty.	Part No.	Description
1	2	2220-0125	Socket Head Screw
2	1	2500-0075	Hydraulic Motor 11.5 cc (GM6)
2A	1	2500-0117	Hydraulic Motor 16 cc (GM10)
3	1	0751-9343A	Pedestal Assembly, Splined Shaft
4	11	2250-0087	Hex Flange Nut
5	4	1723-0149	O-ring
6	4	2210-0182	Hex Flange Bolt
7	1	1723-0148	O-ring
8	1	1610-0069	Key (square)
9	1	1723-0142	O-ring
10	1	2210-0181	Hex Flange Bolt
11	1	0150-1543P	Pump Volute
12	1	1700-0232	Flapper Valve

Ref. No.	Qty.	Part No.	Description
13	1	0100-1543P	Pump Housing
14	11	2210-0141	Hex Head Cap Screw
15	11	2270-0115	Flat Washer
16	1	1410-0091	Slinger Ring
17	1	0750-1543P	Back Plate
18	1	1723-0146	O-ring
19	1	2120-0055	Mechanical Seal
20	1	0400-1543P	Impeller
21	2	2404-0350P	Fill/Drain Plug
22	2	1720-0230	O-ring
23	4	2210-0183	Hex Washer Head Screw
24	2	2270-0137	Washer