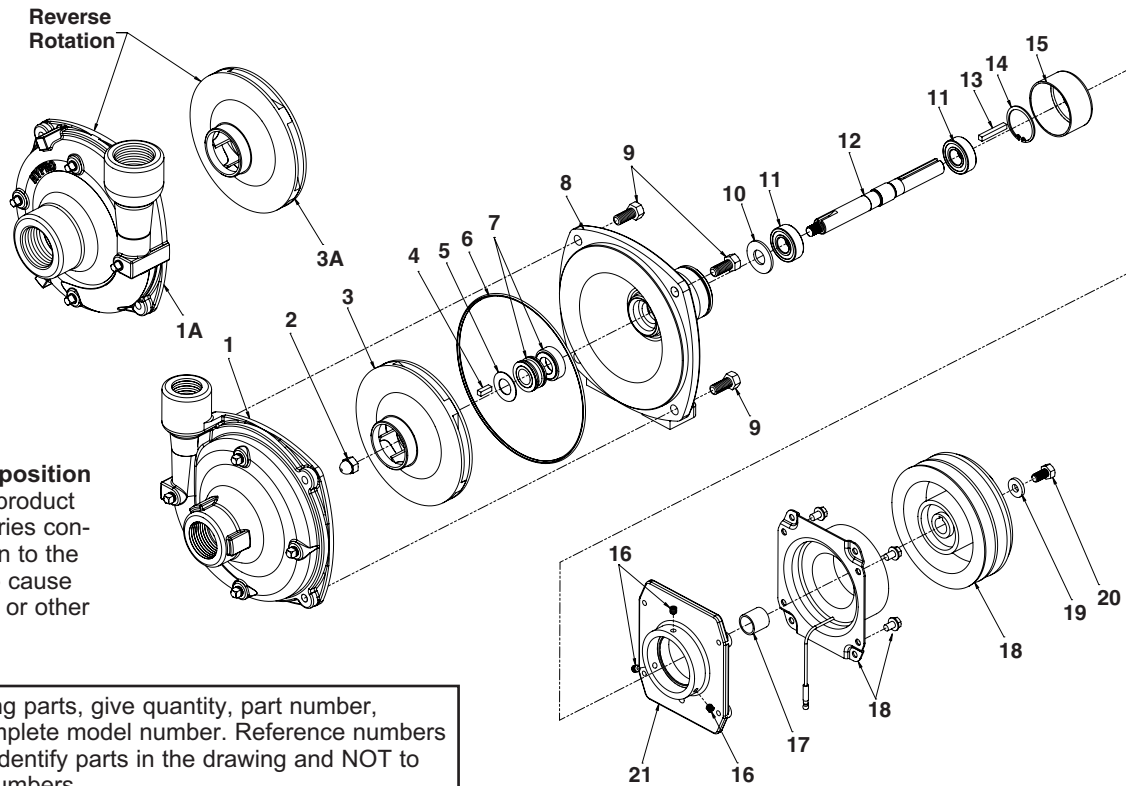


**HYPRO®**


**California Proposition 65 Warning** -- This product and related accessories contain chemicals known to the State of California to cause cancer, birth defects or other reproductive harm.

**Note:** When ordering parts, give quantity, part number, description and complete model number. Reference numbers are used ONLY to identify parts in the drawing and NOT to be used as order numbers.

Clutch Kit No. 3430-0592 for 9262C-C, 9262S-C & 9262S-CR consists of:

(3) Ref. 16 Set Screw; (1) Ref. 17 Spacer; (1) Ref. 18 Magnetic Clutch; (1) Ref. 19 Washer, 3/4 OD x 5/16 ID x 1/8; (1) Ref. 20 Hex Head Cap Screw; and (1) Ref. 21 Mounting Bracket - Clutch

Seal Kit No. 3430-0332 for 9202C & 9262C-C consists of:

(1) Ref. 5 Gasket  
(1) Ref. 6 O-ring  
(1) Ref. 7 Mechanical Seal

Seal Kit No. 3430-0589 (Silicon Carbide) for 9202S, 9262S-C & 9262S-CR consists of:

(1) Ref. 6 O-ring  
(1) Ref. 7 Mechanical Seal

Ref. No.	Qty. Req'd.	Part No.	Description	Ref. No.	Qty. Req'd.	Part No.	Description
1	1	0150-9200C	Pump Casing (9202C, 9262C-C) CCW Rot.	9	4	2210-0020	Hex Head Cap Screw (9202C, 9262C-C)
1	1	0156-9200S1	Pump Casing (9202S, 9262S-C)	9	4	2210-0125	Hex Head Cap Screw (9202S, 9262S-C, 9262S-CR)
1A	1	0152-9001S1	Pump Casing (9262S-CR)	10	1	1410-0056	Slinger Seal
2	1	2253-0002	Impeller Nut-Cast Series (9202C, 9262C-C)	11	2	2000-0010	Ball Bearing
2	1	2253-0006	Impeller Nut-Stainless Series (9202S, 9262S-C, 9262S-CR)	12	1	0505-9200	Shaft
3	1	0401-9100P	Impeller - Nylon (9202C, 9262C-C)	13	1	1610-0004	Key (9262C-C, 9262S-C, 9262S-CR)
3	1	0402-9100P	Impeller - Poly (9202S, 9262S-C)	14	1	1820-0013	Retainer Ring
3A	1	0403-9100P	Impeller - CCW Rotation (9262S-CR)	15	1	2300-0025	Protective Cover (9202C, 9262C-C)
4	1	1610-0015	Key (9202C, 9262C-C)	16	3	2230-0001	Set Screw (9262C-C, 9262S-C, 9262S-CR)
4	1	1610-0044	Key (9202S, 9262S-C, 9262S-CR)	17	1	1410-0107	Spacer (9262C-C, 9262S-C, 9262S-CR)
5	1	1700-0100	Gasket (9202C, 9262C-C)	18	1	2526-0012	Magnetic Clutch Assy. (9262C-C, 9262S-C, 9262S-CR)
6	1	1720-0083	O-ring	19	1	2270-0092	Washer (9262C-C, 9262S-C, 9262S-CR)
7	1	2120-0009	Mechanical Seal (9202C, 9262C-C)	20	1	2210-0003	Head Hex Cap Screw (9262C-C, 9262S-C, 9262S-CR)
7	1	2120-0039	Mechanical Seal (9202S, 9262S-C, 9262S-CR)	21	1	0753-9200C	Mounting Bracket - Clutch (9262C-C, 9262S-C, 9262S-CR)
8	1	0750-9200C3	Mounting Flange (9202C, 9262C-C)				
8	1	0756-9200S	Mounting Flange (9202S, 9262S-C, 9262S-CR)				

## Models 9202S, 9202S-R, 9262S-C, and 9262S-CR

U.S. Standards

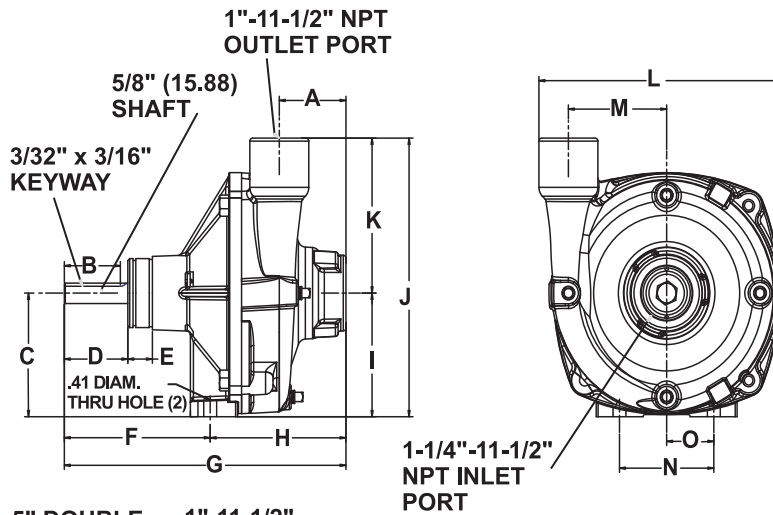
RPM	10 PSI		20 PSI		40 PSI		60 PSI		80 PSI		100 PSI		120 PSI		140 PSI	
	GPM	HP	GPM	HP	GPM	HP	GPM	HP	GPM	HP	GPM	HP	GPM	HP	GPM	HP
2400	73	1.4	55	1.2												
3600	112	4.5	109	4.5	86	4.0	25	2.8								
4200	128	7.1	127	7.1	116	6.8	92	6.1	40	4.6						
5000	145	11.8	145	11.8	143	11.7	133	11.3	115	10.4	86	9.1				
6000	152	20.5	152	20.4	152	20.3	152	20.3	152	20	150	19.2	134	17.9	110	16.6

RPM	0.7 BAR		1.4 BAR		2.8 BAR		4.1 BAR		5.5 BAR		6.9 BAR		8.3 BAR		9.7 BAR	
	LPM	HP	LPM	HP	LPM	HP	LPM	HP	LPM	HP	LPM	HP	LPM	HP	LPM	HP
2400	278	1.4	208	1.2												
3600	424	4.5	412	4.5	324	4.0	95	2.8								
4200	486	7.1	480	7.1	440	6.8	350	6.1	151	4.6						
5000	550	11.8	549	11.8	541	11.7	503	11.3	435	10.4	325	9.1				
6000	575	20.5	575	20.4	575	20.3	575	20.3	575	20.0	568	19.2	509	17.9	416	16.6

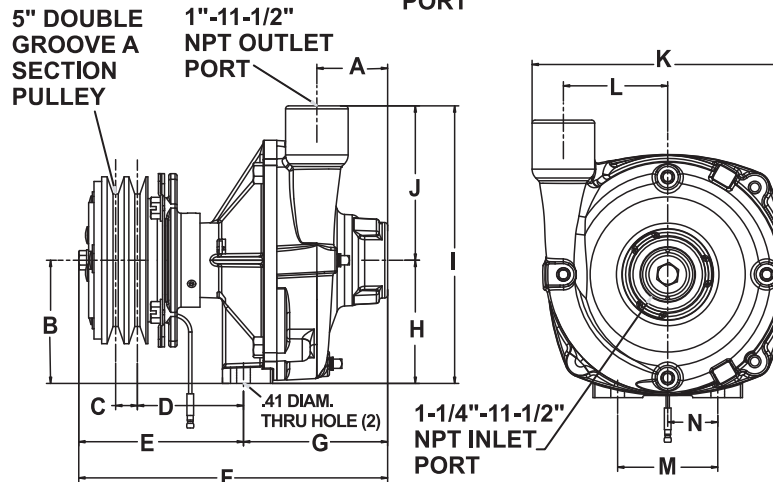
Metric Standards

9202 and 9262 Series	RPM	10 PSI		20 PSI		40 PSI		60 PSI		80 PSI		100 PSI		120 PSI		140 PSI	
		GPM <sub>at</sub>	HP	GPM <sub>at</sub>	HP	GPM <sub>at</sub>	HP	GPM <sub>at</sub>	HP	GPM <sub>at</sub>	HP	GPM <sub>at</sub>	HP	GPM <sub>at</sub>	HP	GPM <sub>at</sub>	HP
	2400	50	1.3	46	1.2												
3600	67	3.7	66	3.7	62	3.5	34	2.6									
4200	75	5.7	75	5.7	75	5.7	66	5.3	44	4.2							
5000	88	0.3	88	9.3	88	9.3	88	9.3	77	8.6	60	7.5					
6000	103	15.6	103	15.6	103	15.6	103	15.6	103	15.6	100	15.5	91	14.8	56	11.4	

9202 and 9262 Series	RPM	0.7 BAR		1.4 BAR		2.8 BAR		4.1 BAR		5.5 BAR		6.9 BAR		8.3 BAR		9.7 BAR	
		LPM <sub>at</sub>	HP	LPM <sub>at</sub>	HP	LPM <sub>at</sub>	HP	LPM <sub>at</sub>	HP	LPM <sub>at</sub>	HP	LPM <sub>at</sub>	HP	LPM <sub>at</sub>	HP	LPM <sub>at</sub>	HP
	2400	189	1.3	174	1.2												
3600	254	3.7	250	3.7	235	3.5	129	2.6									
4200	284	5.7	284	5.7	284	5.7	250	5.3	167	4.2							
5000	333	0.3	333	9.3	333	9.3	333	9.3	291	8.6	227	7.5					
6000	390	15.6	390	15.6	390	15.6	390	15.6	390	15.6	379	15.5	344	14.8	212	11.4	



9202 Dimensions		
	Inches	mm
A	2.13	54
B	1.78	45
C	3.69	93.7
D	2.02	51.3
E	0.78	19.9
F	4.64	117.8
G	9.01	228.9
H	4.37	111.1
I	3.69	93.7
J	8.25	209.6
K	4.56	115.9
L	7.78	197.7
M	3.06	77.8
N	3	76.2
O	1.5	38.1



9262 Dimensions		
	Inches	mm
A	2.12	53.8
B	3.69	93.7
C	0.65	16.5
D	3.18	80.7
E	4.93	125.3
F	9.25	235
G	4.32	109.7
H	3.69	93.7
I	8.32	211.2
J	4.63	117.5
K	7.66	194.5
L	3.13	79.4
M	3	76.2
N	1.5	38.1

