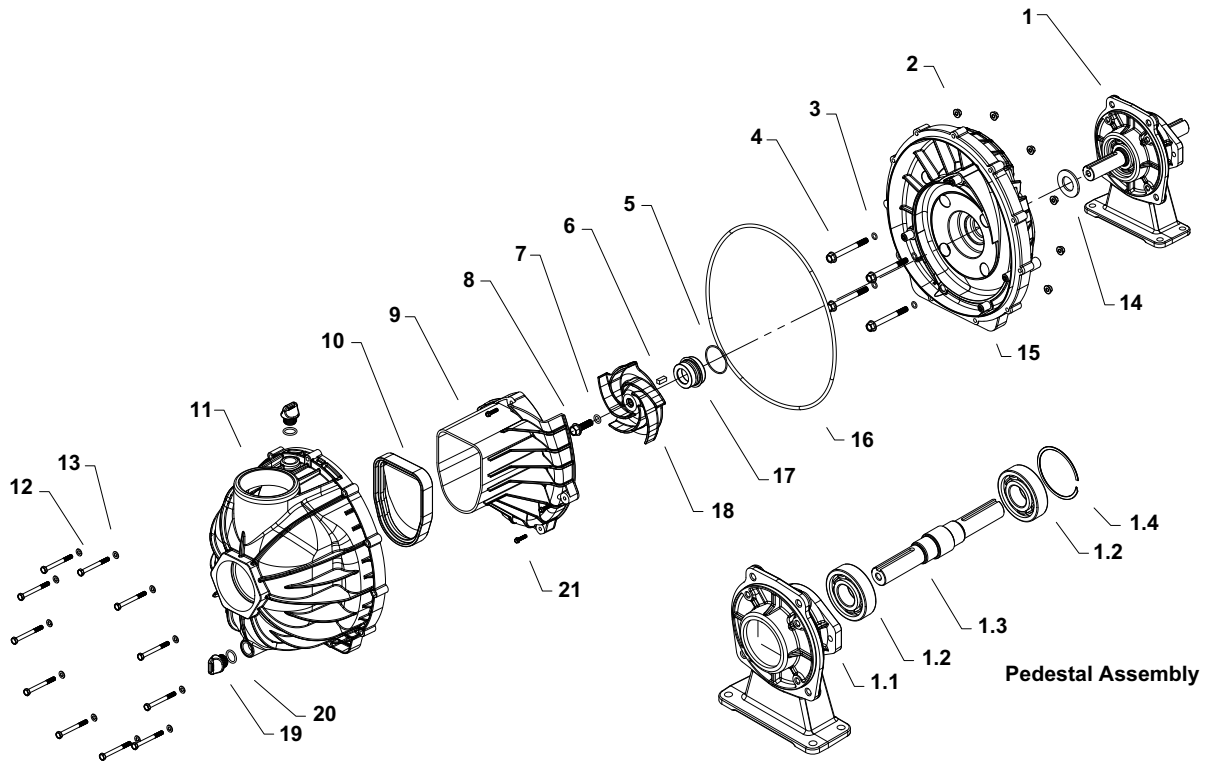


9243P-SP Pedestal, Self-priming, Polypropylene Transfer Pumps



Seal Repair Kit 3430-0757 contains:

(4) Ref. 3 O-ring, (1) Ref. 5 Mechanical Seal O-ring, (1) Ref. 17 Mechanical Seal, (1) Ref. 7 Impeller O-ring, (1) Ref. 10 Flapper, and (1) Ref. 16 Body O-ring.

Pedestal Assembly 0751-9243A contains:

(1) Ref. 1.1 Pedestal, (2) Ref. 1.2 Ball Bearing, (1) Ref. 1.3 Pump Shaft, and (1) Ref. 1.4 Snap Ring.

Ref # Torque Spec.

#4 10 ft.-lbs.
#8 10 ft.-lbs.
#12 45 in.-lbs.
#21 24 in.-lbs.

Pump Head Kit 3430-0692 Includes all items less the pedestal (Ref. 1).

Ref. No.	Qty.	Part No.	Description
1	1	0751-9243A	Pedestal Assembly
2	11	2250-0087	Hex Flange Nut
3	4	1723-0149	O-ring
4	4	2210-0182	Hex Flange Bolt
5	1	1723-0148	O-ring
6	1	1610-0069	Key (Square)
7	1	1723-0142	O-ring
8	1	2210-0181	Hex Flange Bolt
9	1	0150-1543P	Pump Volute
10	1	1700-0232	Flapper Valve
11	1	0100-1543P	Pump Housing

Ref. No.	Qty.	Part No.	Description
12	11	2210-0141	Hex Head Cap Screw
13	11	2270-0115	Flat Washer
14	1	1410-0091	Slinger Ring
15	1	0750-1543P	Back Plate
16	1	1723-0146	O-ring
17	1	2120-0055	Mechanical Seal
18	1	0400-1543P	Impeller
19	2	2404-0350P	Fill/Drain Plug
20	2	1720-0230	O-ring
21	4	2210-0183	Hex Washer Head Screw