



NEW Stainless Steel Centrifugal Pumps

Hydraulic-drive, direct-drive, 12V DC clutch-drive and PTO belt-drive

These new high-quality stainless steel pumps from Hypro are just what you need for effectively handling corrosive chemicals. The S-series pump is ideal for use with Roundup® or other acid applications, such as burndown and defoliation. Also good for handling calcium and magnesium chloride solutions or other anti-icing or deicing agents.



DRIVE OPTIONS:

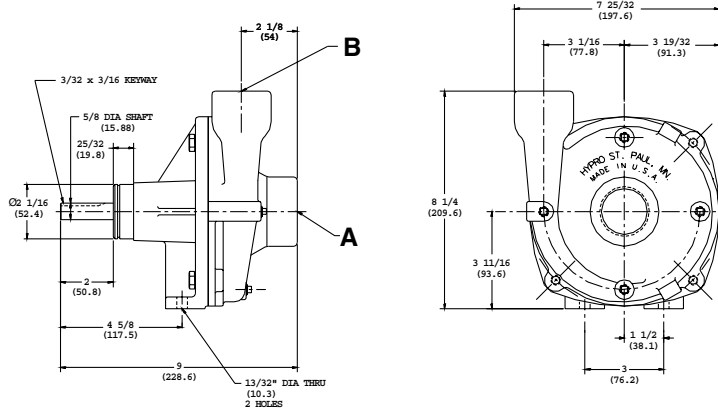
- Direct-drive pedestal mount
- New heavy-duty 12V DC clutch drive
- 540 rpm/PTO and 1000 rpm/PTO belt-drive
- Hydraulic motor-drive pedestal mount (for open or closed center systems)

FEATURES:

- 316 stainless steel housing
- Poly impellers standard; nylon optional
- Hydraulic-driven models feature high speed internal gerotor motor
- ½" NPT hydraulic motor ports
- 5-20 gpm motor capacity
- Double-lip Teflon hydraulic motor seal
- Standard Viton carbon/ceramic shaft seals, with optional Buna-N carbon/ceramic and Viton carbon/silicon carbide
- Maximum fluid temperature of 140°F

Illustrations and Characteristics

Model 9203S

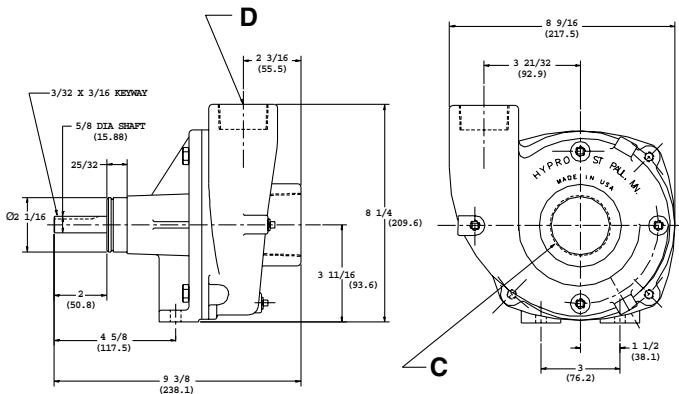


SERIES 9203S

Stainless Steel Pedestal-Mount Centrifugal Pump

- Max. Flow Rate 136 gpm
- Max. Pressure 180 psi
- Max. Speed 6000 rpm
- Ports A: 1½" NPT inlet
B: 1¼" NPT outlet

Model 9204S

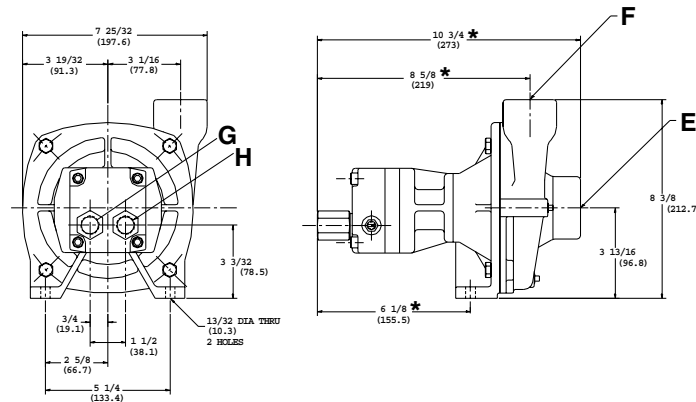


SERIES 9204S

Stainless Steel Pedestal-Mount Centrifugal Pump

- Max. Flow Rate 190 gpm
- Max. Pressure 80 psi
- Max. Speed 4200 rpm
- Ports C: 2" NPT inlet
D: 1½" NPT outlet

Models 9303S-HM2C, 9303S-HM4C, 9303S-HM1C, 9303S-HM5C and 9303S-HM3C



SERIES 9303S-HM_C

Stainless Steel Hydraulic-Driven Centrifugal Pump

- Max. Flow Rate 114 gpm
- Max. Pressure 180 psi
- Ports E: 1½" NPT inlet
F: 1¼" NPT outlet

Hydraulic Motor

- Ports G: ½" NPT inlet
(pressure) port
H: ½" NPT outlet
(tank) port

Model 9305S-HM4C Dimensions

* For HM2C-subtract 1/16", HM1C-add 3/16", HM5C-add 3/16" and HM3C-add 1/16"

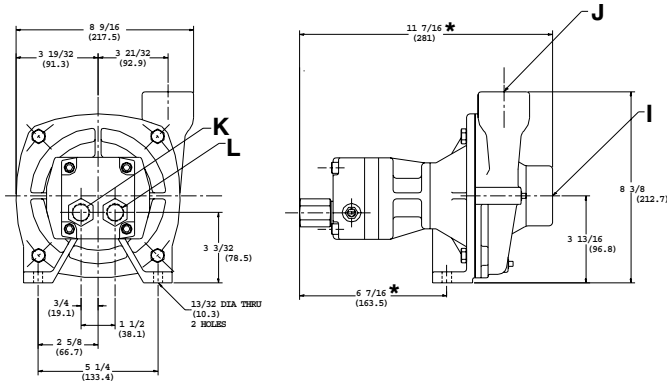
Centrifugal Pumps

Stainless Steel

DIMENSIONS & SPECIFICATIONS

Illustrations and Characteristics

Models 9304S-HM1C, 9304S-HM5C and 9304S-HM3C

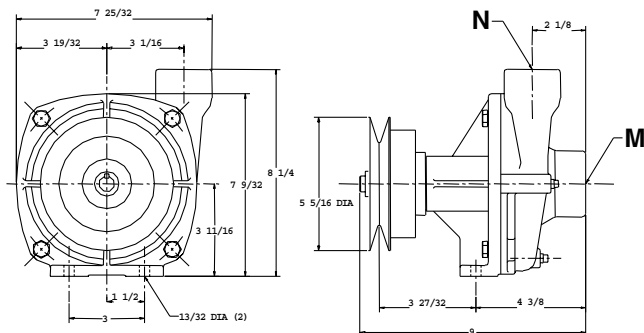


Model 9304S-HM1C Dimensions
* For HM5C-add 1/8", and HM3C-add 1/2"

SERIES 9304S-HM_C Stainless Steel Hydraulic-Driven Centrifugal Pump

- Max. Flow Rate 190 gpm
- Max. Pressure 130 psi
- Ports I: 2" NPT inlet
J: 1 1/2" NPT outlet
- Hydraulic Motor
Ports K: 1/2" NPT inlet
(pressure) port
L: 1/2" NPT outlet
(tank) port

Model 9253S-C

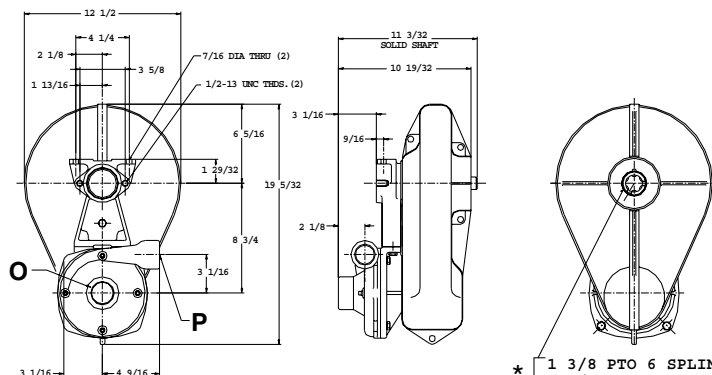


SERIES 9253S-C Stainless Steel Clutch-Driven Centrifugal Pump

- Max. Flow Rate 136 gpm
- Max. Pressure 180 psi
- Max. Speed 6000 rpm
- Ports M: 1 1/2" NPT inlet
N: 1 1/4" NPT outlet

Models 9403S-540, 9403S-540Q, 9403S-1000, 9403S-1000L and 9403S-1000S

See * model numbers at bottom of page for various drive or shaft options.



SERIES 9403S Stainless Steel Belt-Driven 540 rpm and 1000 rpm Centrifugal Pump

- Max. Flow Rate 84-140 gpm
- Max. Pressure 95-104 psi
- Max. Speed 600 and 1000 rpm
- Ports O: 1 1/2" NPT inlet
P: 1 1/4" NPT outlet

- * 1 3/8 PTO 6 SPLINE 9403S-540
- 1 3/8 PTO 6 SPLINE 9403S-540Q
- WITH QUICK COUPLER ADAPTER
- 1 3/8 PTO 21 SPLINE 9403S-1000
- 1 3/4 PTO 20 SPLINE 9403S-1000L
- 1" DIA SOLID SHAFT 9403S-1000S

When building your equipment or replacing its old worn out parts,
look to Hypro for all the right pieces.



Pumps, Strainers, Gauges, Valves, Nozzle Bodies, Fittings, Nozzles & more!

To locate the Hypro representative in your area, or for more information on our complete line of stainless steel pumps, call **800-424-9776**.

Roundup® is a registered trademark of the Monsanto Company.



SPRAY GROUP

375 Fifth Avenue NW • New Brighton, MN 55112-3288
Phone: (651) 766-6300 • 800-424-9776 • Fax: 800-323-6496
www.hypropumps.com