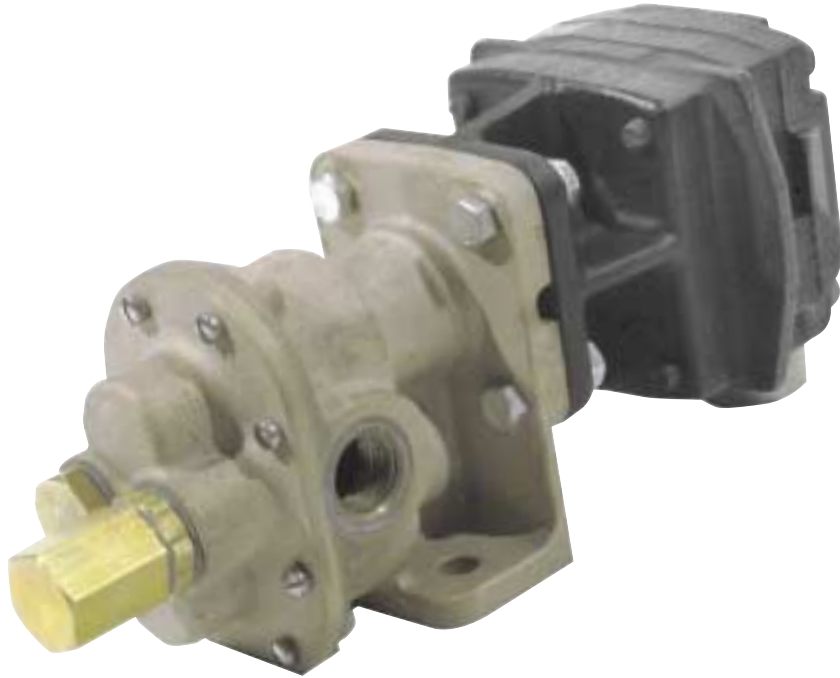




DEICING APPLICATIONS

8304B-HM5C / 8304BV-HM5C Hydraulic Driven Gear Pump



This positive-displacement pump is ideal for de-icing (pre-wet). Combining the pump and motor as a single unit eliminates the need for shaft alignment or Love-Joy® coupling. The unit's compact size allows it to be used in a wide variety of locations and makes it especially attractive for quick, easy retrofit installations.

PUMP FEATURES & BENEFITS:

- Optional pressure relief valveSafeguards against pressure buildup
- Industry-proven gear pump designMinimal moving parts for longevity

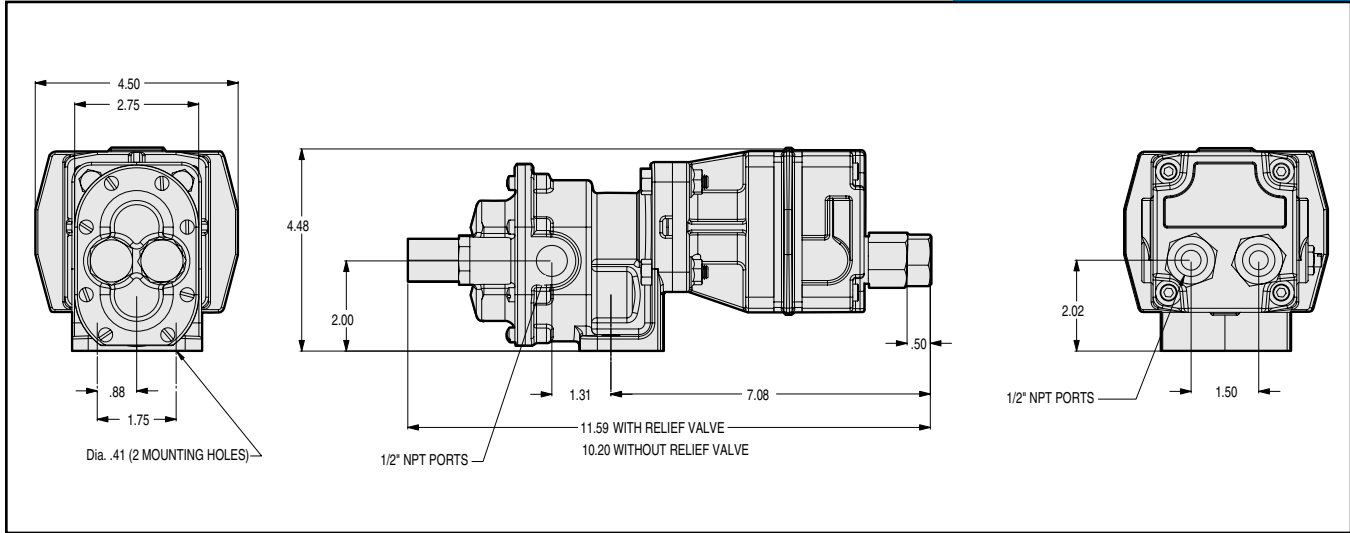
MOTOR FEATURES & BENEFITS:

- State-of-the-art internal gear gerotor motor ..Maximum service for any application
- Bypass adjustmentAllows fine tuning of flow control
- ½" NPT ports with anti-reverse checkSafeguards against change in flow direction



8304B-HM5C / 8304BV-HM5C Hydraulic Driven Gear Pump

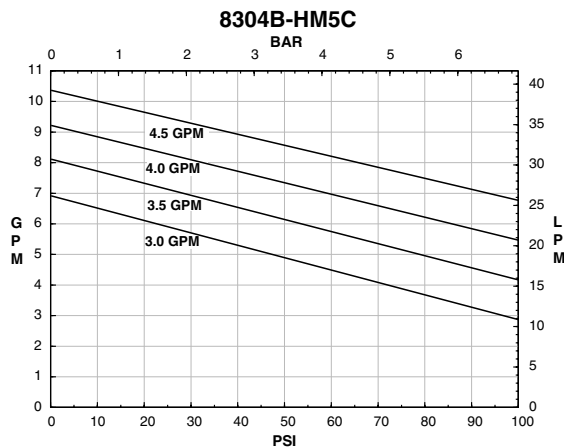
SPECIFICATIONS



8304B-HM5C

Hydraulic Flow (GPM)	GPM at 0 PSI	GPM at 10 PSI	GPM at 20 PSI	GPM at 30 PSI	GPM at 40 PSI	GPM at 50 PSI	GPM at 60 PSI	GPM at 70 PSI	GPM at 80 PSI	GPM at 90 PSI	GPM at 100 PSI
3.0	6.9	6.5	6.1	5.7	5.3	4.9	4.5	4.1	3.7	3.3	2.9
3.5	8.1	7.7	7.3	6.9	6.6	6.2	5.8	5.4	5.0	4.6	4.2
4.0	9.2	8.9	8.5	8.1	7.8	7.4	7.0	6.7	6.2	5.9	5.5
4.5	10.4	10.1	9.7	9.3	9.0	8.6	8.2	7.9	7.5	7.1	6.8

This data was generated using water as the pumping media. Performance will vary with different viscosity fluids. Hydraulic pressures vary from 200 to 850 PSI for the performance chart above.



Check out our complete line of deice/anti-icing components that will provide you with outstanding performance and longevity.

- Centrifugal Pumps manufactured from Stainless Steel or Poly.
- Nozzles in Brass, Polyacetyl or Stainless Steel.
- Ball Valves, Fittings, Cam-Locks in nylon or Polypropylene
- Pressure Gauges.

