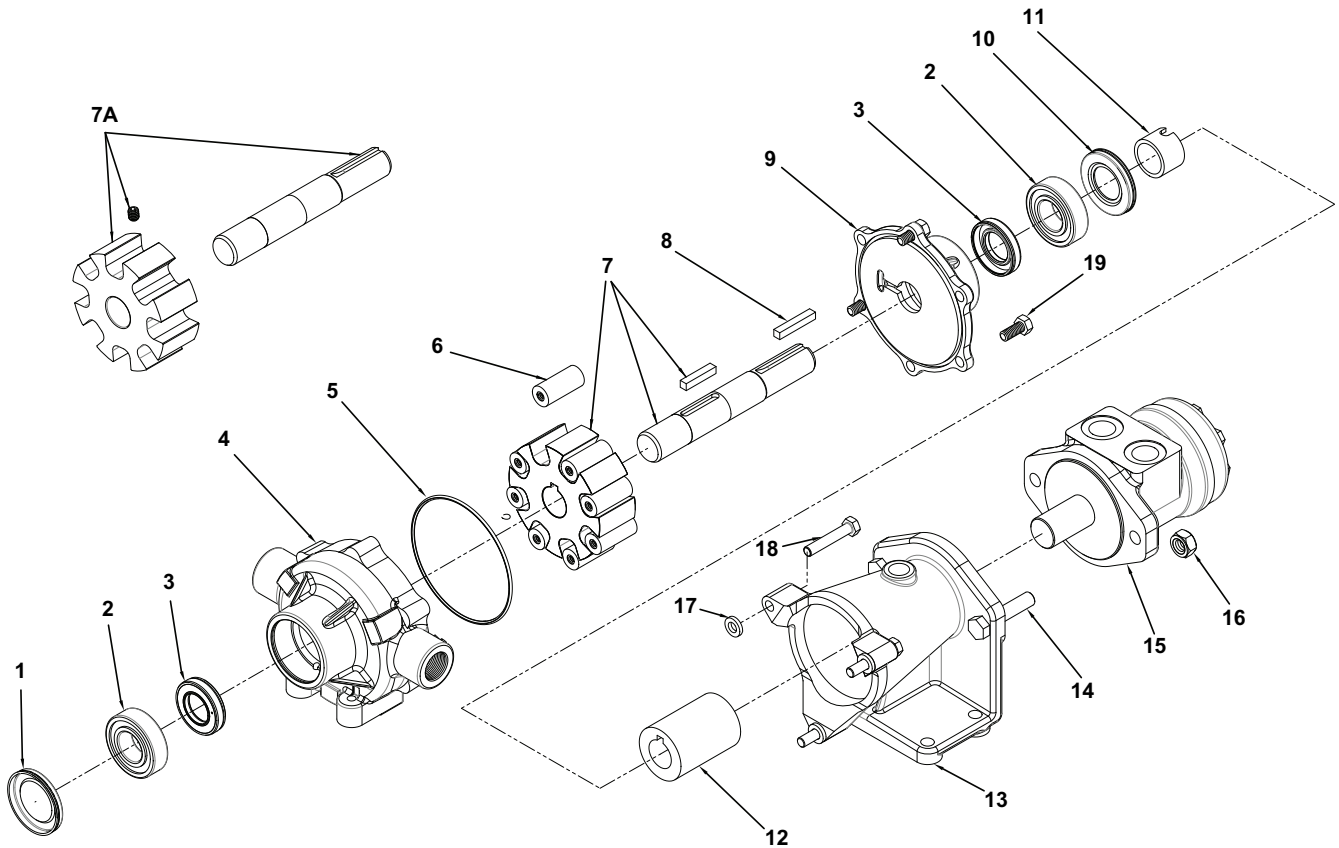


Parts Illustration

Models 7560C-GM30, 7560N-GM30, and 7560XL-GM30
Models 7560C-GM15, 7560N-GM15, and 7560XL-GM15



Ref. No.	Qty. Req'd.	Part Number	Description
1	1	2300-0020	Bearing Cover
2	2	2008-0001	Seated Ball Bearing
3	2	2112-0003	Viton Seal (Standard)
3	2	2112-0001	Buna-N Seal (Optional)
4	1	0104-7500C	Body (Cast Iron) with Seal
4	1	0104-7500N	Body (Ni-Resist) with Seal
4	1	0104-7500X	Body (SilverCast) with Seal
5	1	1720-0014	O-ring
6	8	1005-0004	Super Roller (Standard)
6	8	1002-0004	Polypropylene Roller (Optional)
6	8	1052-0004	Buna-N Roller (Optional)
6	8	1055-0004	Teflon Roller (Optional)
7	1	3430-0745	Rotor Assembly (Ni-Resist and SilverCast)
7A	1	0308-7560C	Rotor Assembly (Cast Iron)
8	1	1610-0005	Key

Ref. No.	Qty. Req'd.	Part Number	Description
9	1	0204-7500C	Endplate (Cast Iron) with Seal
9	1	0204-7500N	Endplate (Ni-Resist) with Seal
9	1	0204-7500X	Endplate (SilverCast) with Seal
10	1	2300-0022	Shaft Bearing Cover
11	1	1410-0111	Spacer
12	1	0524-2500	Coupler
13	1	0750-7500C	Mounting Flange
14	2	18044	Bolt
15	1	2500-0028	Hydraulic Motor (GM30)
15	1	2500-0042	Hydraulic Motor (GM15)
16	2	2250-0082	Nut
17	3	1410-0120	Spacer
18	3	11621	Bolt
19	3	2210-0004	Bolt

Repair Parts Kit No. 3430-0381 Consists of: (8) Ref. 6 Super Rollers, (1) Ref. 5 O-Ring and (2) Ref. 3 Viton Seals.

Repair Parts Kit No. 3430-0167 Consists of: (8) Ref. 6 Polypropylene Rollers, (1) Ref. 5 O-Ring and (2) Ref. 3 Viton Seals.

Flange Kit No. 3430-0636 Consists of: (1) Ref. 13 Mounting Flange, (1) Ref. 12 Coupler, (1) Ref. 11 Spacer, (2) Ref. 14 Bolts, (2) Ref. 16 Nuts, (3) Ref. 18 Bolts and (1) Ref. 8 Key.